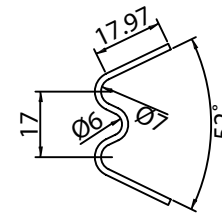
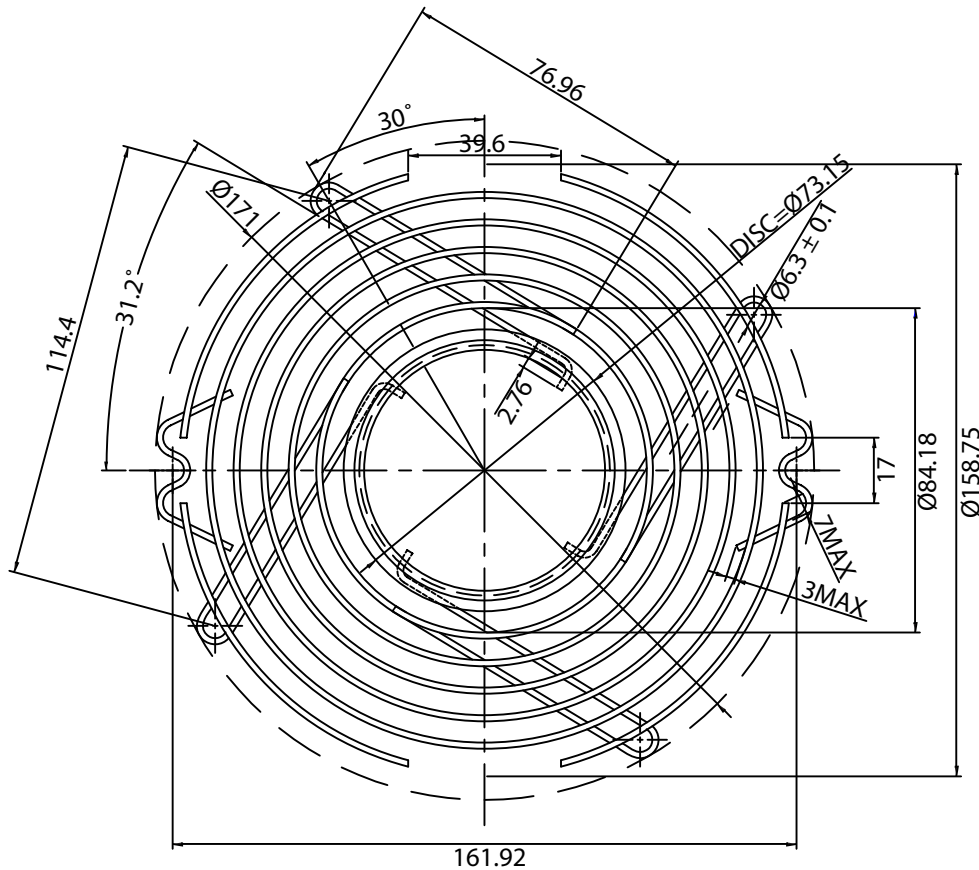


THESE DRAWINGS ARE THE PROPERTY OF QUALTEK ELECTRONICS AND NOT TO BE REPRODUCED FOR OR COMMUNICATED TO A THIRD PARTY WITHOUT THE EXPRESS WRITTEN PERMISSION OF AN OFFICER OF QUALTEK ELECTRONICS.

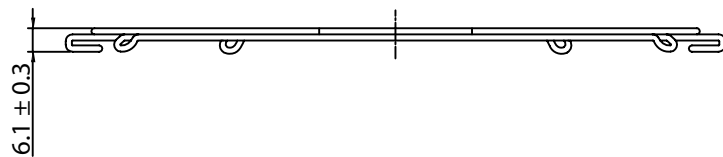
REVISION			
REV.	DESCRIPTION	DATE	APPROVED
B	RoHS Compliancy	06-01-06	DP
C	Updated Specifications	07-29-08	DP



NOTES:

1. MATERIAL: C1008 STEEL WIRE
2. FINISH: ZINC PLATING
3. 0.35 ± 0.05 DEPTH OF SERRATIONS ON WIRE
4. RING:  $\varnothing 1.6 \pm 0.1\text{mm}$   
RIB:  $\varnothing 1.6 \pm 0.1\text{mm}$   
DISC=73.15 T=0.8
5. GENERAL TOLERANCE UNLESS NOTED IS  $\pm 0.5\text{mm}$
6. RoHS COMPLIANT

**CONTROLLED**



Dim range (mm)	Tolerance +/- (mm)	Qualtek Electronics Corp. FAN-S DIVISION		
		Part Number:	08151-01	RoHS Compliant
0-5	0.1	Description: WIRE FORM FAN GUARD (150mm)		
5-16	0.15		UNIT: mm	REV: C
16-64	0.2			
64-250	0.4	Drawn / Date	Checked / Date	Approved / Date
250-1000	0.5	B. ZHANG 07-16-98	07-16-98	JJH / 07-16-98
1000-1500	1.0			

# Mouser Electronics

Authorized Distributor

Click to View Pricing, Inventory, Delivery & Lifecycle Information:

[Qualtek:](#)

[08151-01](#)