

THIS DRAWING IS UNPUBLISHED.

RELEASED FOR PUBLICATION

© COPYRIGHT 2010 BY TYCO ELECTRONICS CORPORATION. ALL RIGHTS RESERVED.

LOC DW DIST

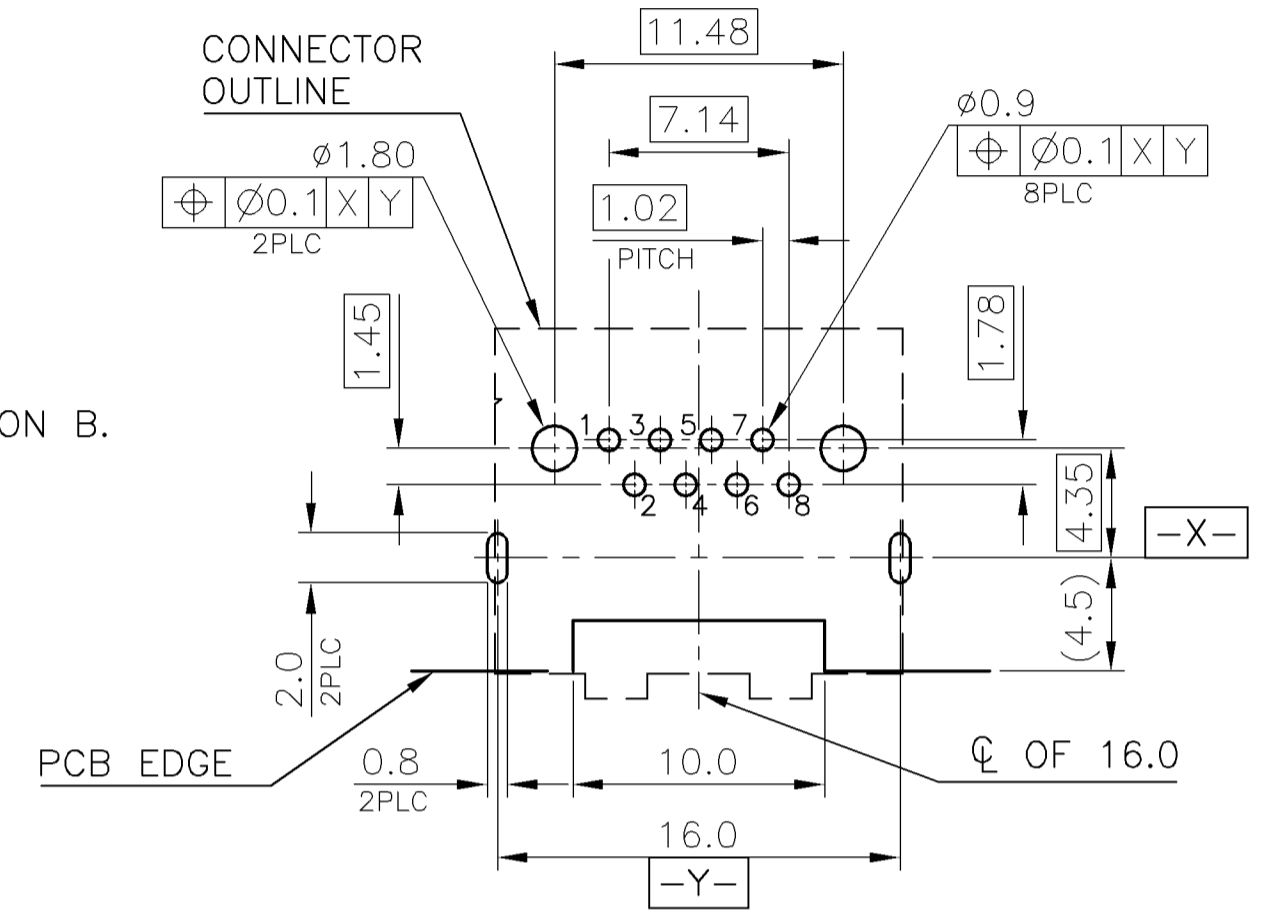
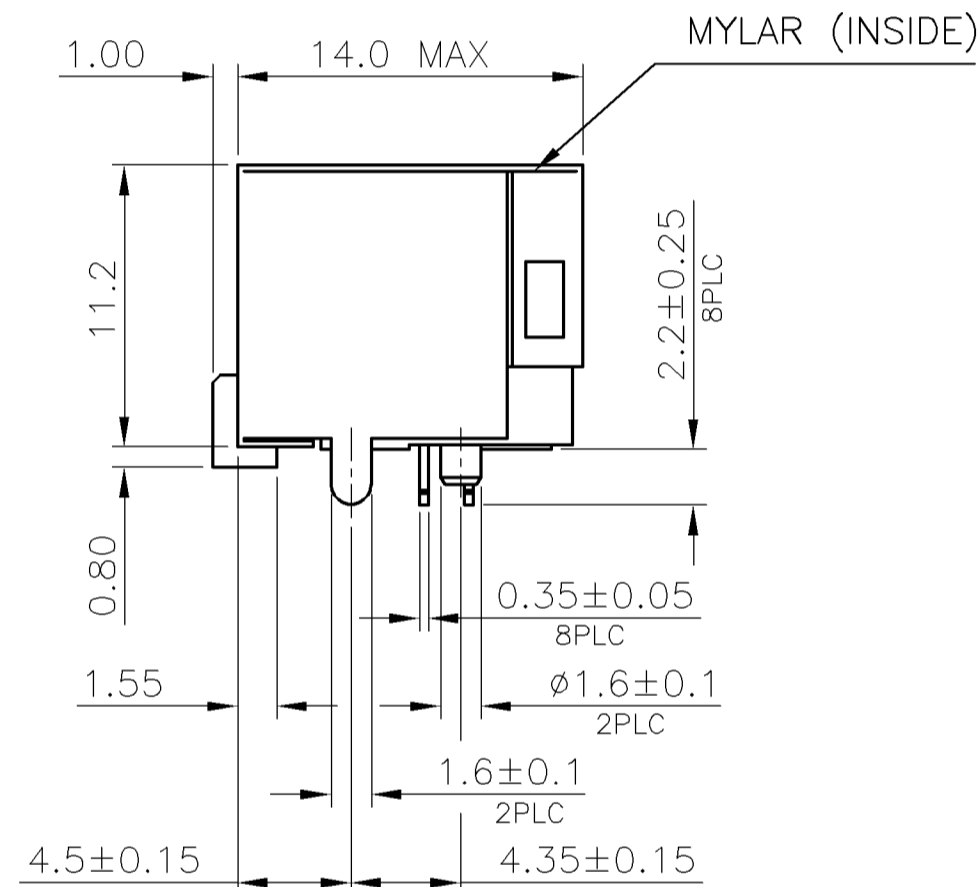
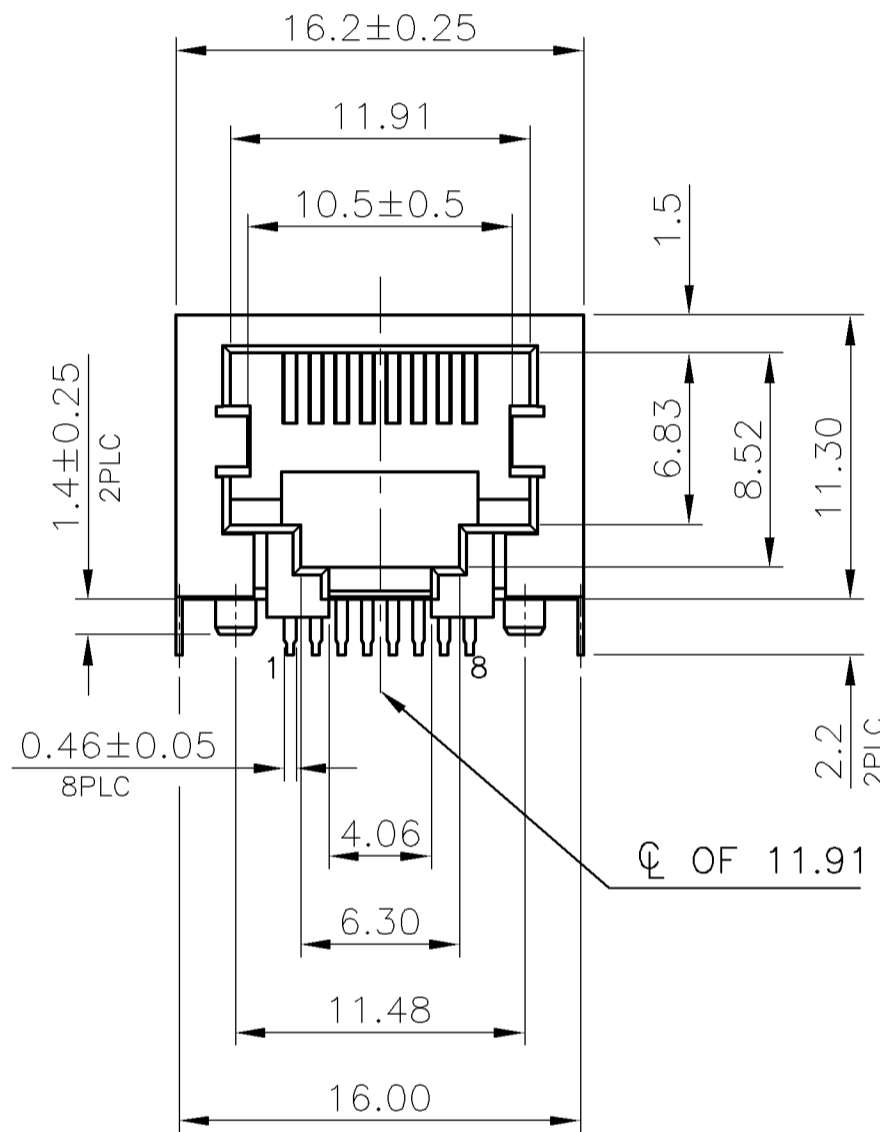
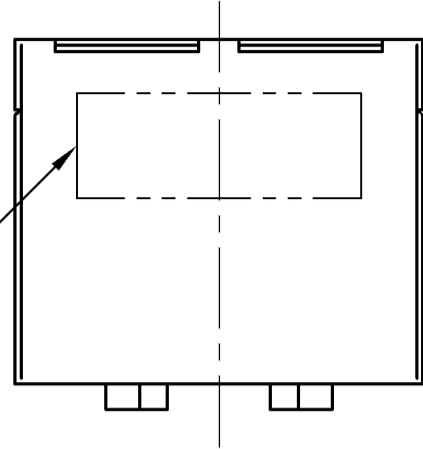
REVISIONS

P	LTR	DESCRIPTION	DATE	DWN	APVD
A3		REVISED (ECR-11-004772) ADD 1-1734579-6 & DRAWING REDRAW	09MAR'11	E.L.	W.K.

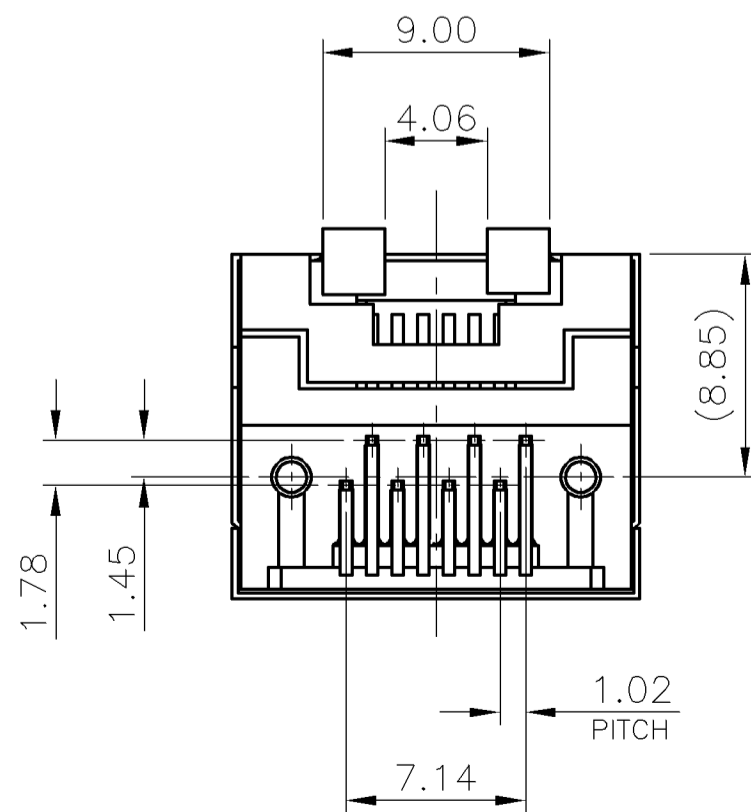
NOTES:

1. MATERIAL:
 - 1.1 HOUSING & INSERT HOUSING: LCP, WITH 30% G.F, UL94 V-0; COLOR: BLACK
 - 1.2 CONTACT: PHOSPHOR BRONZE.
 - 1.3 SHELL: BRASS.
 - 1.4 MYLAR: SILICONE POLYMER.
2. FINISH:
 - 2.1 CONTACT: (SEE TABLE) GOLD PLATED ON CONTACT AREA. GOLD FLASH ON SOLDER TAIL. 1.27um [50u"] MIN. NICKEL UNDERPLATED OVERALL.
 - 2.2 SHELL: 0.508um [20u"] MIN. NICKEL PLATED.
3. WAVE SOLDER CAPABLE TO 265°C PER TE SPEC. 109-202, CONDITION B.

LOGO & DATE CODE



RECOMMENDED PCB LAYOUT (COMPONENT SIDE)
TOLERANCE: ±0.05
PCB THICKNESS: 1.6mm



1.27um [50u"]	1734579-4
0.762um [30u"]	1734579-3
0.381um [15u"]	1734579-2
0.152um [6u"]	1734579-1
MIN. GOLD THICKNESS	PART NUMBER

THIS DRAWING IS A CONTROLLED DOCUMENT.		DWN B. HSING 27OCT2008	Tyco Electronics Corporation	
DIMENSIONS: mm		CHK S. CHIEN 27OCT2008	Tyco Electronics Taipei, Taiwan	
TOLERANCES UNLESS OTHERWISE SPECIFIED:		APVD W. KODAMA 27OCT2008	NAME	
0 PLC ± -		PRODUCT SPEC		
1 PLC ± 0.3		108-57527		
2 PLC ± 0.2		APPLICATION SPEC		
3 PLC ± 0.15		SIZE CAGE CODE DRAWING NO RESTRICTED TO		
4 PLC ± -		A3 00779 C=1734579		
ANGLES ± 3'		SCALE SHEET 1 OF 3 REV A3		
MATERIAL SEE NOTE		WEIGHT 3.5 GRAMS		
FINISH SEE NOTE		CUSTOMER DRAWING		

THIS DRAWING IS UNPUBLISHED.

RELEASED FOR PUBLICATION

© COPYRIGHT 2010 BY TYCO ELECTRONICS CORPORATION. ALL RIGHTS RESERVED.

LOC DW DIST

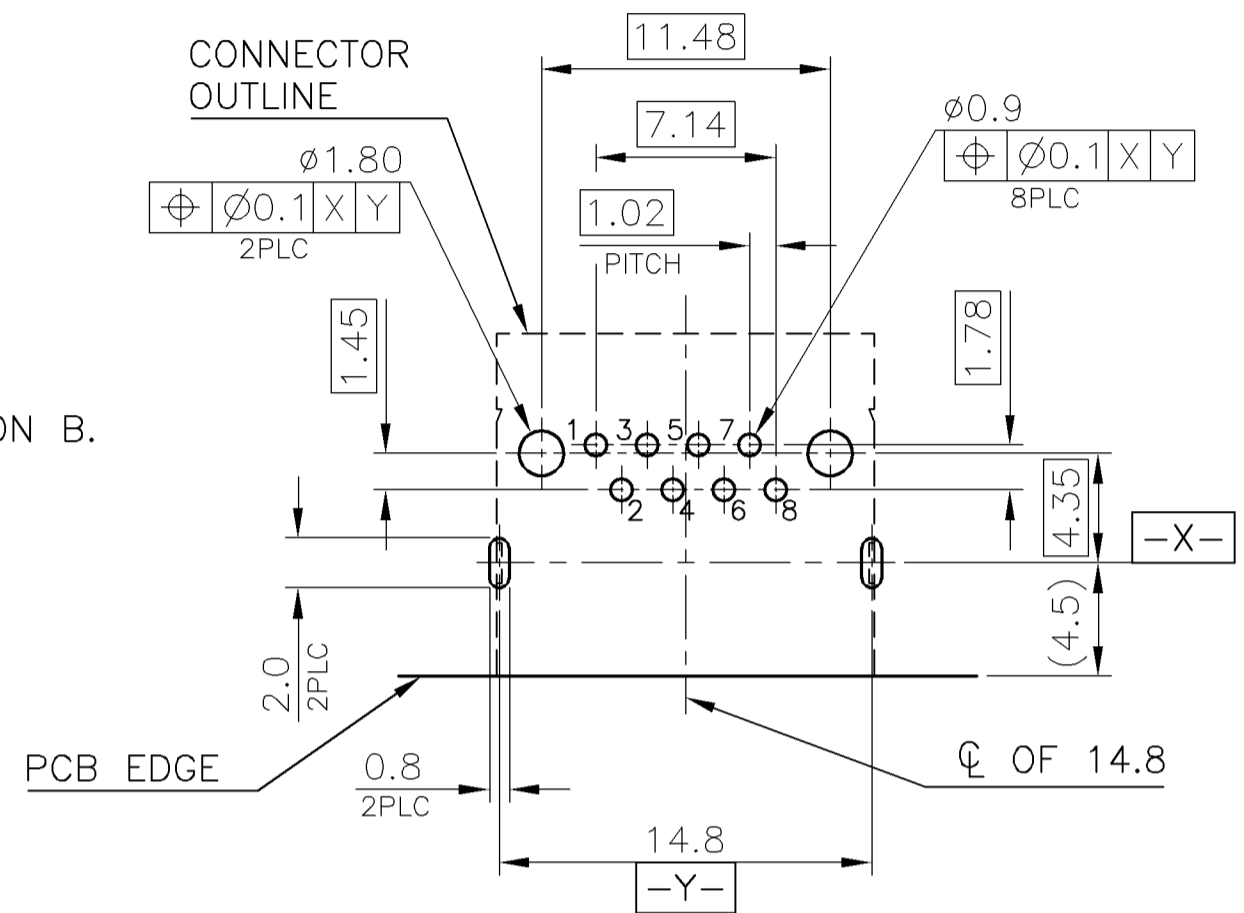
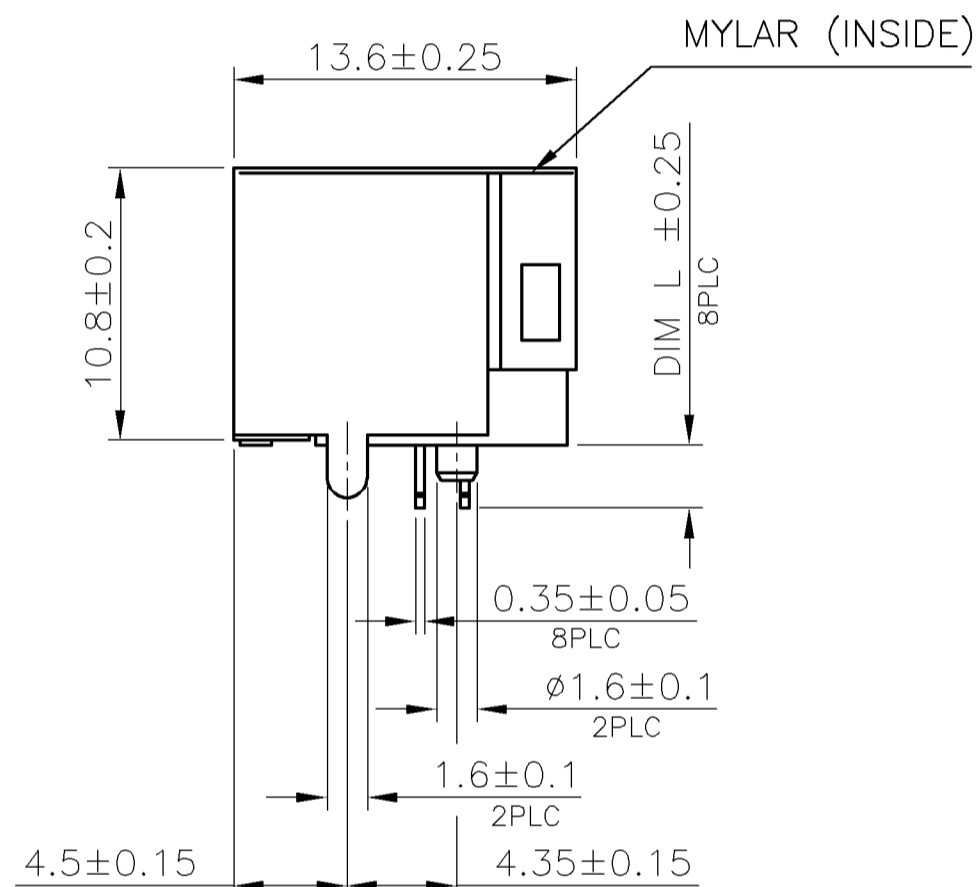
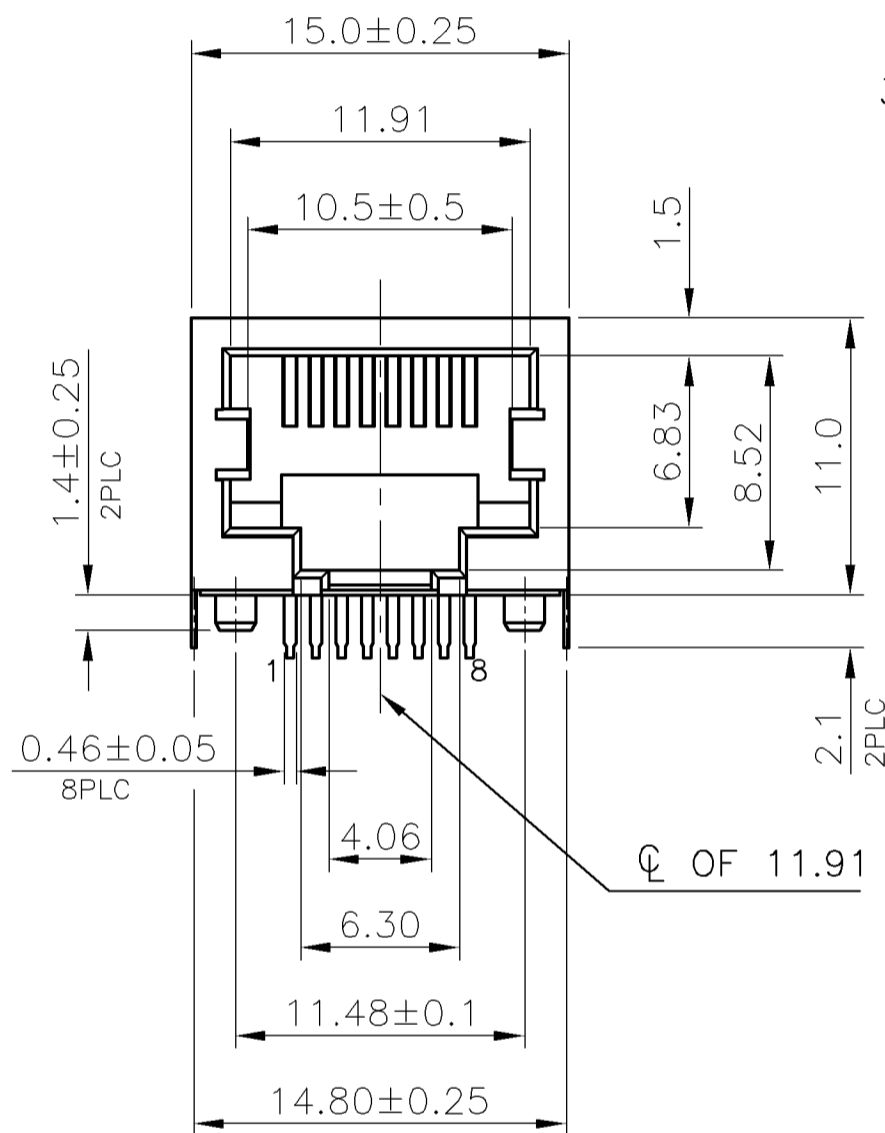
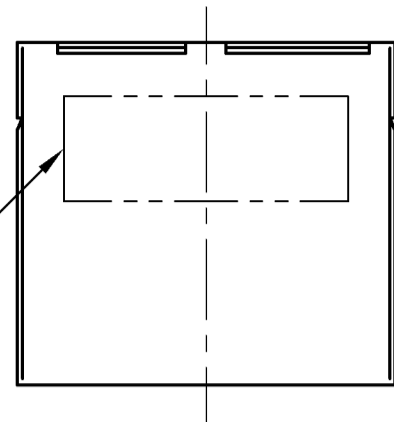
REVISIONS

P	LTR	DESCRIPTION	DATE	DWN	APVD
		SEE SHEET 1.			

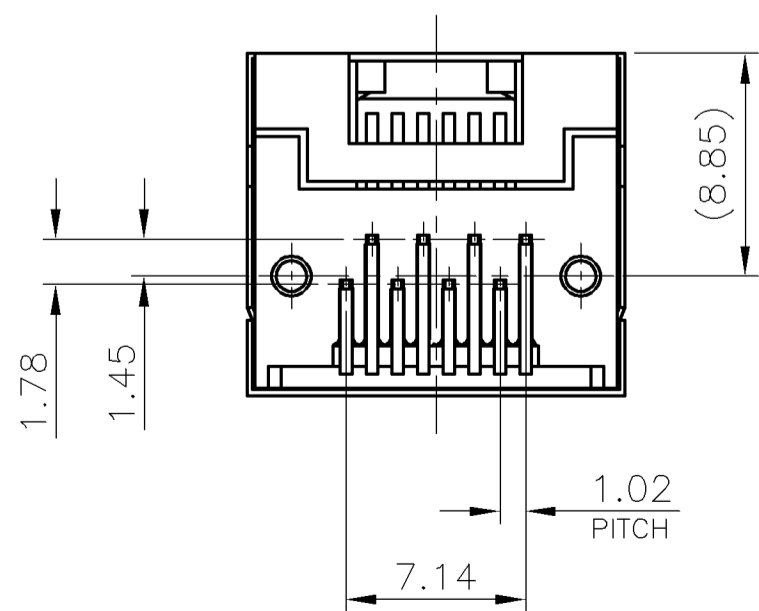
NOTES:

1. MATERIAL:
 - 1.1 HOUSING & INSERT HOUSING: LCP, WITH 30% G.F, UL94 V-0; COLOR: BLACK
 - 1.2 CONTACT: PHOSPHOR BRONZE.
 - 1.3 SHELL: BRASS.
 - 1.4 MYLAR: SILICONE POLYMER.
2. FINISH:
 - 2.1 CONTACT: (SEE TABLE) GOLD PLATED ON CONTACT AREA. GOLD FLASH ON SOLDER TAIL. 1.27um [50u"] MIN. NICKEL UNDERPLATED OVERALL.
 - 2.2 SHELL: 0.508um [20u"] MIN. NICKEL PLATED.
3. WAVE SOLDER CAPABLE TO 265°C PER TE SPEC. 109-202, CONDITION B.

LOGO & DATE CODE



RECOMMENDED PCB LAYOUT (COMPONENT SIDE)
 TOLERANCE: ±0.05
 PCB THICKNESS: 1.6mm

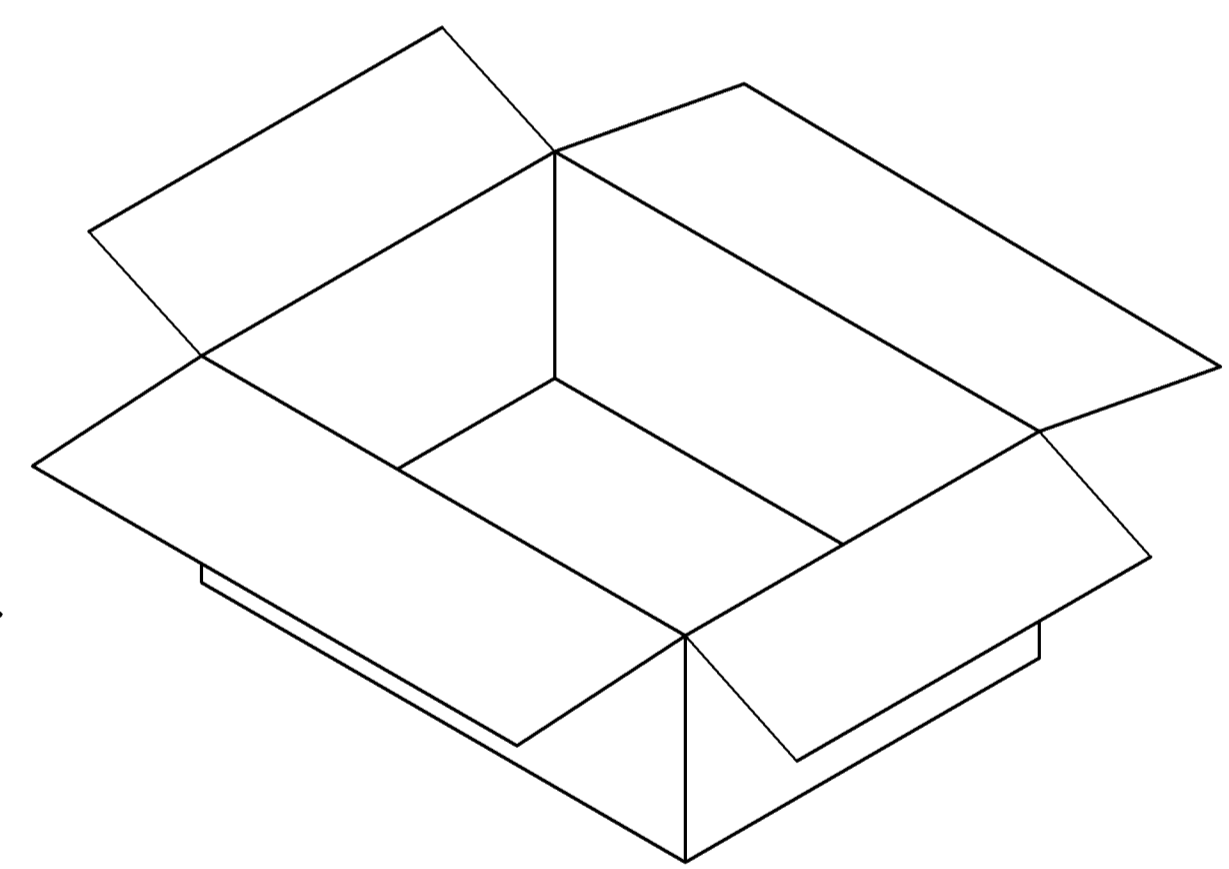
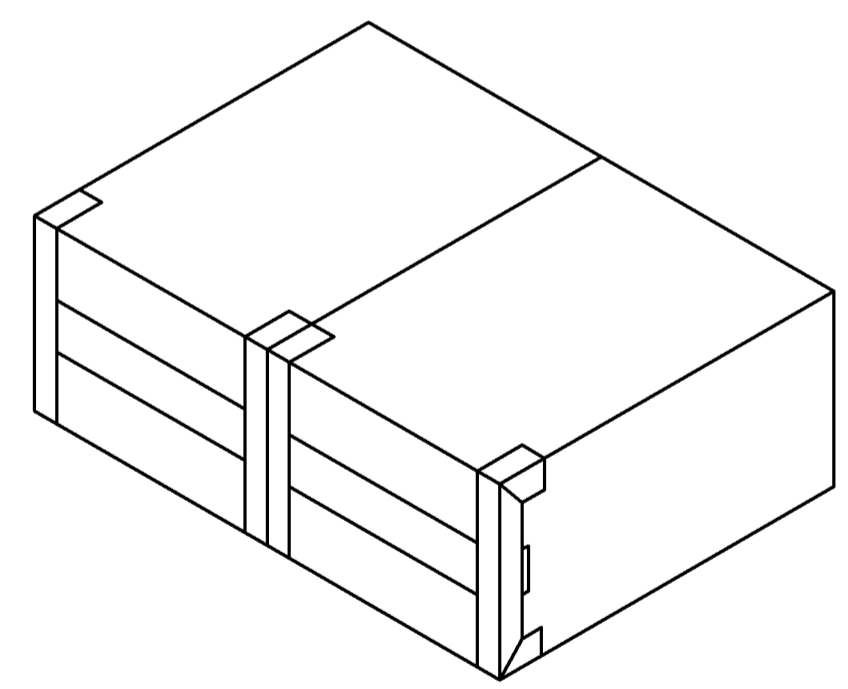
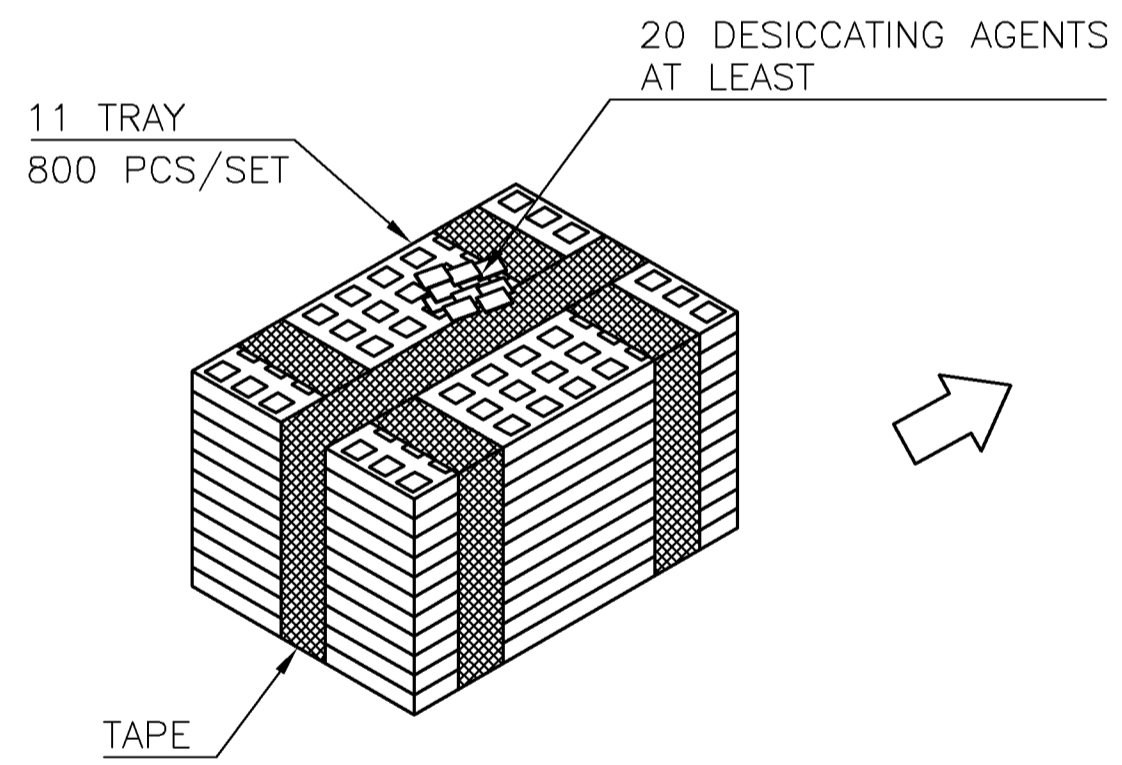
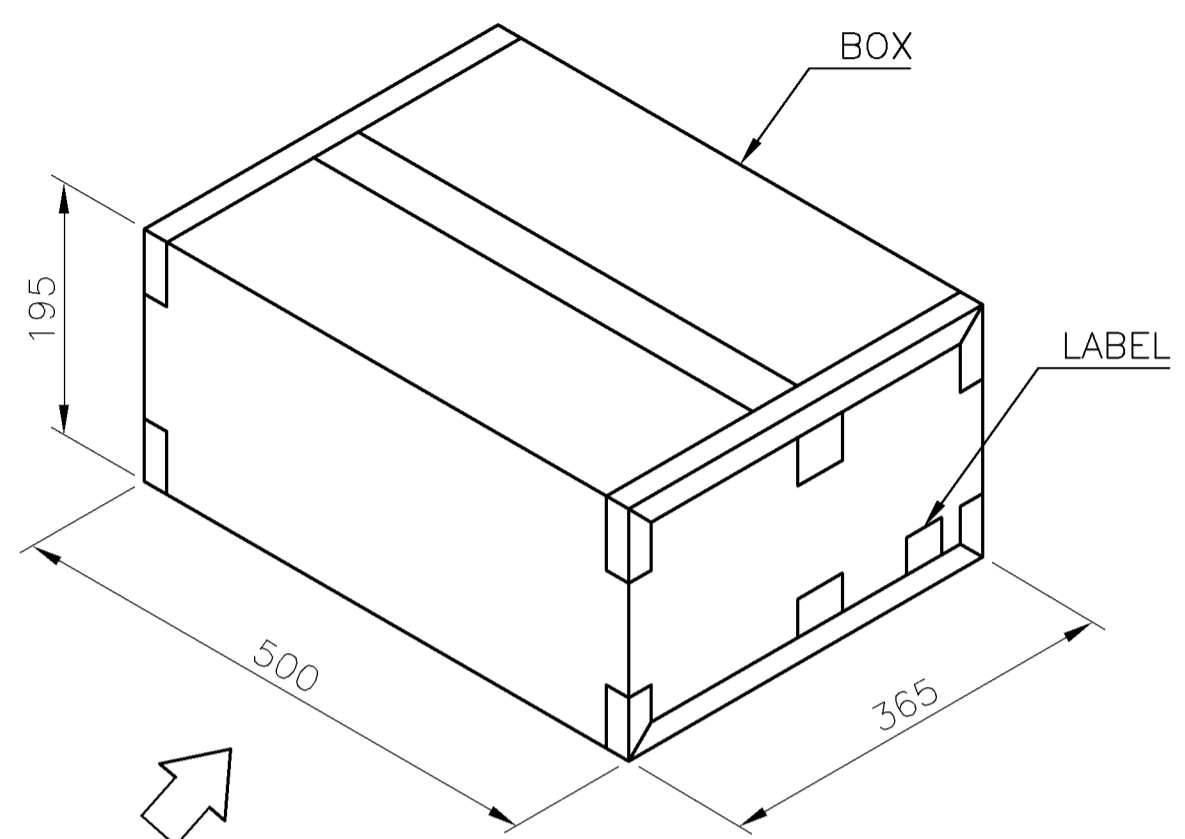
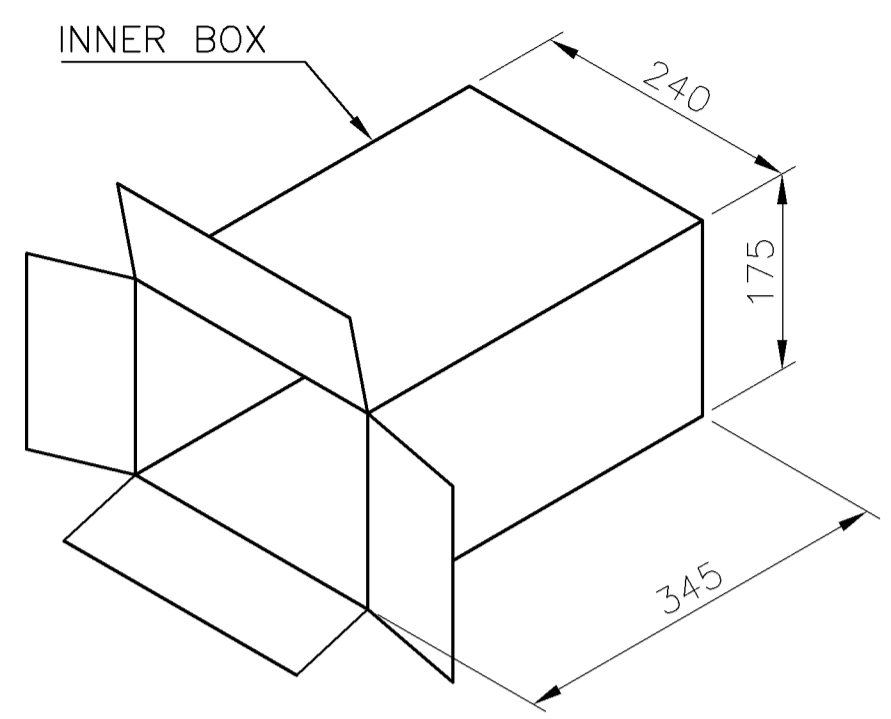
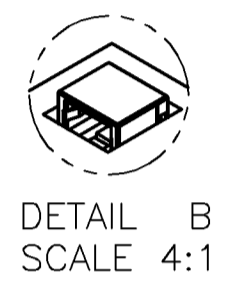
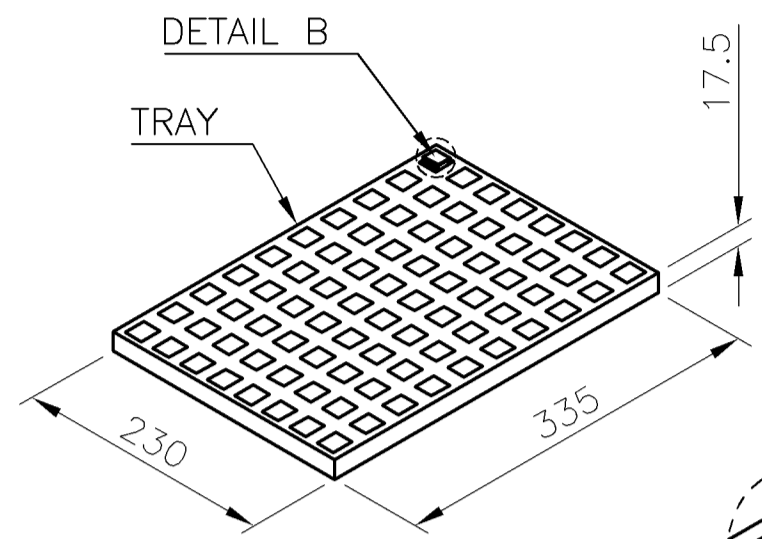


3.2	1.27um [50u"]	1-1734579-6
2.5	1.27um [50u"]	1-1734579-5
	1.27um [50u"]	1-1734579-4
	0.762um [30u"]	1-1734579-3
	0.381um [15u"]	1-1734579-2
	0.152um [6u"]	1-1734579-1
DIM L	MIN. GOLD THICKNESS	PART NUMBER

THIS DRAWING IS A CONTROLLED DOCUMENT.		DWN	Tyco Electronics Corporation	
DIMENSIONS: mm		CHK	Taipei, Taiwan	
TOLERANCES UNLESS OTHERWISE SPECIFIED:		APVD	NAME	
0 PLC ± -		PRODUCT SPEC	MODULAR JACK CONNECTOR	
1 PLC ± 0.3		APPLICATION SPEC	RJ45, 8P8C, SHIELDED, TAB DOWN, DIP TYPE	
2 PLC ± 0.2		SIZE	CAGE CODE	DRAWING NO
3 PLC ± 0.15		WEIGHT	A300779	C=1734579
4 PLC ± -		CUSTOMER DRAWING	SCALE	SHEET 2 OF 3
ANGLES ± 3'				REV A3
FINISH				

THIS DRAWING IS UNPUBLISHED. RELEASED FOR PUBLICATION
 © COPYRIGHT 2010 BY TYCO ELECTRONICS CORPORATION. ALL RIGHTS RESERVED.

LOC	DIST	REVISIONS					
DW		P	LTR	DESCRIPTION	DATE	DWN	APVD
				SEE SHEET 1.			



6.5 Kg	4.5 Kg	80	20	1600	1-1734579-X
7.6 Kg	5.6 Kg				1734579-X
GROSS WEIGHT	NET WEIGHT	PCS/TRAY	TRAY/BOX	PCS/BOX	PART NUMBER

THIS DRAWING IS A CONTROLLED DOCUMENT.		DWN	Tyco Electronics Corporation Taipei, Taiwan		
DIMENSIONS: mm		CHK	NAME		
TOLERANCES UNLESS OTHERWISE SPECIFIED:		APVD	MODULAR JACK CONNECTOR RJ45, 8P8C, SHIELDED, TAB DOWN, DIP TYPE		
0 PLC ± -		PRODUCT SPEC	SIZE	CAGE CODE	DRAWING NO
1 PLC ± 0.3		APPLICATION SPEC	A3	00779	C=1734579
2 PLC ± 0.2		WEIGHT	RESTRICTED TO		
3 PLC ± 0.15		CUSTOMER DRAWING	SCALE	SHEET	REV
4 PLC ± -			-	3 OF 3	A3
ANGLES ± 3°					
MATERIAL					
FINISH					