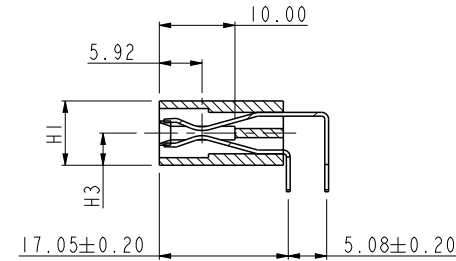
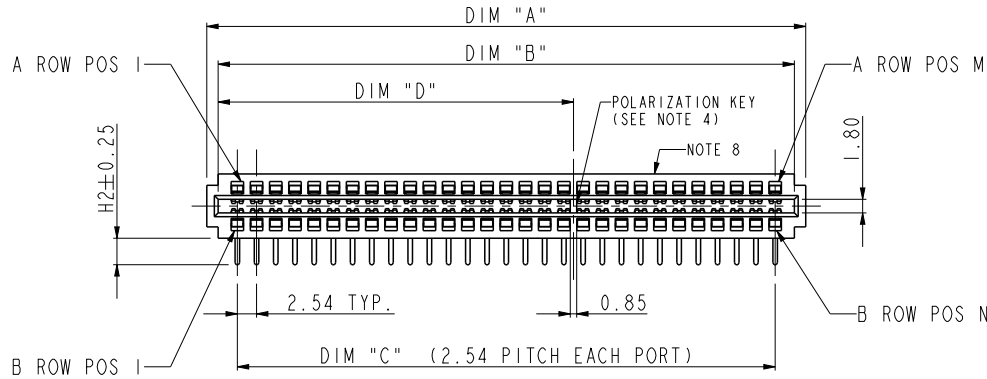
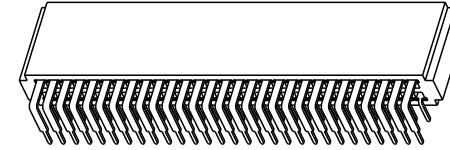
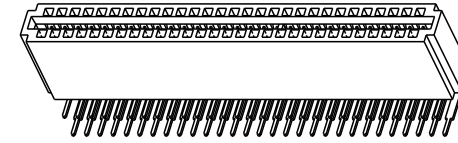
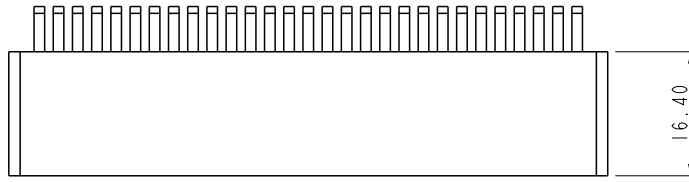


PRODUCT NO.
10035388-XXX_ _
NOTE: 5



NOTE:

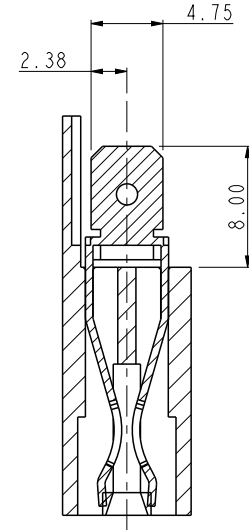
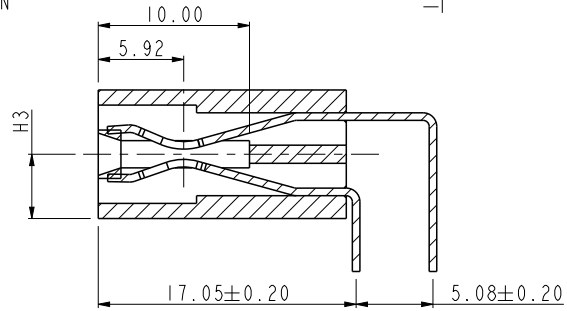
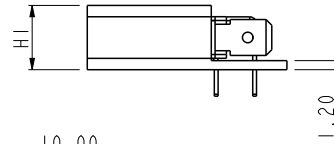
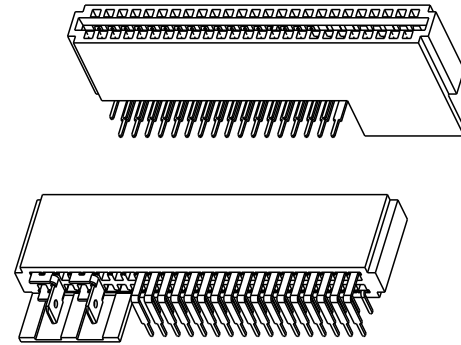
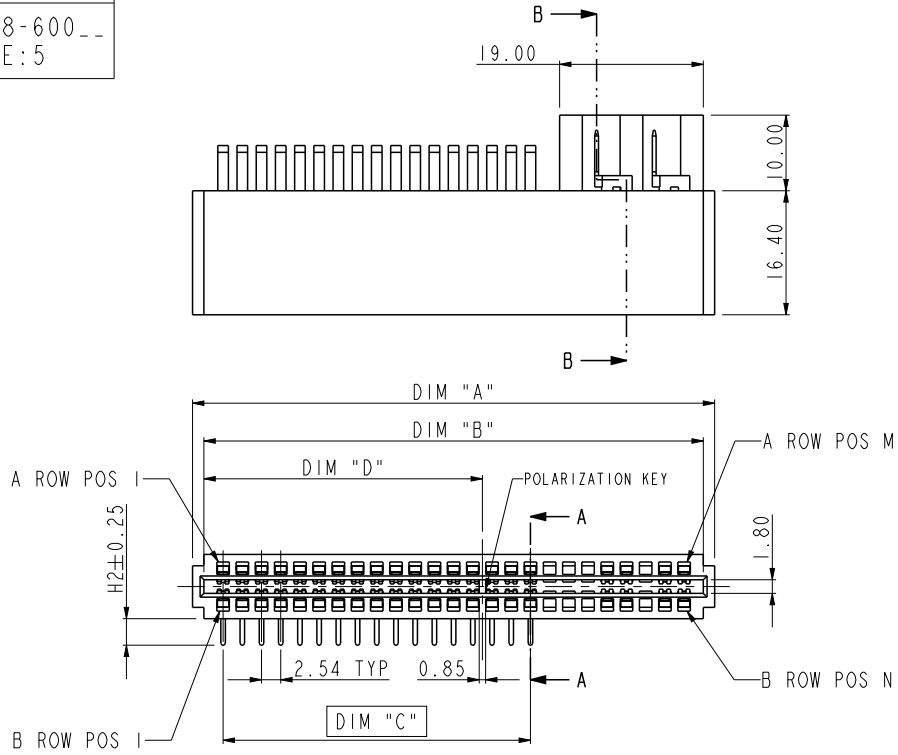
- MATERIAL:
HOUSING: HIGH TEMPERATURE THERMOPLASTIC, UL 94 V-0 RATED, BLACK.
TERMINAL: HIGH CONDUCTIVITY COPPER ALLOY.
- PRODUCT SPECIFICATION: GS-12-259.
- PACKAGE SPECIFICATION: GS-14-937
- THERE IS NO POLARIZATION KEY IN 10035388-102/103/104/105/106/107/108/110/114/202/203/204/205/500/700/800/802/902/903/904/905/909/910/911/912.
- PLATING SPEC:
10035388-XXX:
POWER PIN: CONTACT AREA - 30u" GOLD OVER 50u" NICKEL UNDER PLATED.
SOLDER TAIL - 100u" TIN/LEAD OVER 50u" NICKEL UNDER PLATED.
AC TERMINAL: 50u" NICKEL UNDER PLATED; 30u" GOLD ON CONTACT AREA.
10035388-XXXLF:
POWER PIN: CONTACT AREA - 30u" GOLD OVER 50u" NICKEL UNDER PLATED.
SOLDER TAIL - 100u" PURE MATTE TIN OVER 50u" NICKEL UNDER PLATED.
AC TERMINAL: 50u" NICKEL UNDER PLATED; 30u" GOLD ON CONTACT AREA.

- P/N 10035388-XXXLF MEETS EUROPEAN UNION DIRECTIVE AND OTHER COUNTRY REGULATIONS AS DESCRIBED IN GS-22-008.
- THE HOUSING WILL WITHSTAND EXPOSURE TO 260°C PEAK TEMPERATURE FOR 10 SECONDS IN A WAVE SOLDER APPLICATION WITH A CIRCUIT BOARD.
- PRODUCT MARKING ON HOUSING IN AREA SHOWN MEETS AFci SPECIFICATION: GS-24-007.
- A SYMBOL WILL BE NEXT TO ANY DIMENSION, VIEW, OR NOTE WHICH HAS BEEN MODIFIED WITH THE CURRENT DRAWING REVISION.

spec ref		*		dr	De-Ming Lu	2014/08/06	projection 	MM ←→	size	A4	scale	1:1		
tolerance std		TOLERANCES UNLESS OTHERWISE SPECIFIED		eng	Sunny2 Liu	2016/08/29			product family	-	ecn no	ELX-DG-24841-1		
				chr	Terris Liu	2016/09/05				rel level	Released			
surface		linear	0.X	±0.5	Amphenol FCi	title		POWER EDGE CARD CONNECTOR		dwg no	10035388		rev	AJ
			0.XX	±0.25		WITHOUT SIGNAL ASSY								
ISO 1302			0.XXX	±0.10		cat. no.		-			Product - Customer Drw		sheet 1 of 6	
		angular	0°	±2°										

PRODUCT NO.

10035388-600__
NOTE: 5



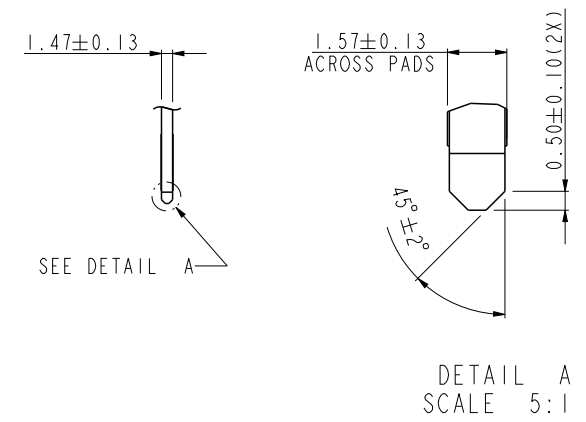
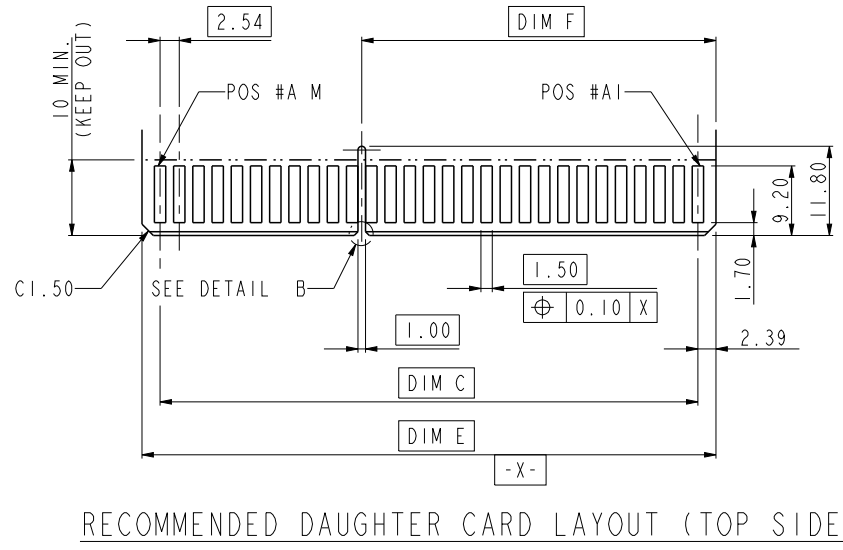
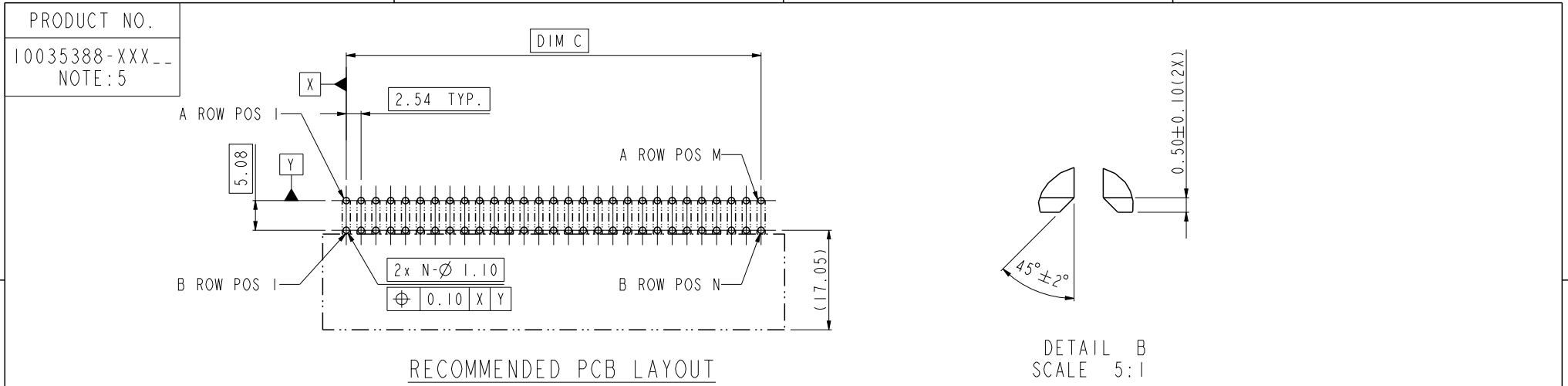
SECTION B-B
SCALE 2:1

SECTION A-A
SCALE 2:1

NOTE:
(APPLY TO 10035388-600__ AS ADDITIONAL)

- 10. THE EMPTY POSITIONS ARE 18, 19, 20, 23.
- 11. THERE ARE 2 AC TERMINALS.

spec ref		*		dr	De-Ming Lu	2014/08/06	projection 	MM ←→	size	A4	scale	1:1	
tolerance std		TOLERANCES UNLESS OTHERWISE SPECIFIED		eng	Sunny2 Liu	2016/08/29			ecn no	ELX-DG-24841-1			
surface		linear	0.X	±0.5	chr	Terris Liu			2016/09/05	rel level		Released	
			0.XX	±0.25	appr	Pei-Ming Zheng			2016/09/05	product family		-	
		angular	0°	±2°	Amphenol FCI		title		POWER EDGE CARD CONNECTOR WITHOUT SIGNAL ASSY	dwg no	10035388	rev	AJ
ISO 1302				cat. no.		-	Product - Customer Drw		sheet 2 of 6				




spec ref	*	dr	De-Ming Lu	2014/08/06	projection	MM	size	A4	scale	1:1											
tolerance std	TOLERANCES UNLESS OTHERWISE SPECIFIED	eng	Sunny2 Liu	2016/08/29			ecn no		ELX-DG-24841-1												
		chr	Terris Liu	2016/09/05			rel level		Released												
surface	ISO 1302	appr	Pei-Ming Zheng	2016/09/05	product family		-		rev												
	<table border="1"> <tr> <td>linear</td> <td>0.X</td> <td>±0.5</td> </tr> <tr> <td></td> <td>0.XX</td> <td>±0.25</td> </tr> <tr> <td></td> <td>0.XXX</td> <td>±0.10</td> </tr> <tr> <td>angular</td> <td>0°</td> <td>±2°</td> </tr> </table>	linear	0.X	±0.5		0.XX	±0.25		0.XXX	±0.10	angular	0°	±2°			title POWER EDGE CARD CONNECTOR WITHOUT SIGNAL ASSY		dwg no 10035388		rev AJ	
linear	0.X	±0.5																			
	0.XX	±0.25																			
	0.XXX	±0.10																			
angular	0°	±2°																			
		cat. no.		-		Product - Customer Drw		sheet 3 of 6													

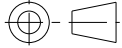
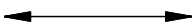
A

B

C

D

PRAT NO.	DIM"A"	DIM"B"	DIM"C"	DIM"D"	DIM"E"	DIM"F"	H1	H2	H3	PIN CONFIGURATION	M	N																																																												
10035388-107 10035388-107LF	69.04	66.04	60.96	N/A	65.74	N/A	8.50	3.50	4.25	A1 <table border="1"><tr><td>P</td><td>P</td><td>P</td><td>P</td><td>P</td><td>P</td><td>P</td><td>P</td><td>P</td><td>P</td><td>P</td><td>P</td><td>P</td><td>P</td><td>P</td><td>P</td><td>P</td><td>P</td><td>P</td><td>P</td></tr><tr><td>B</td><td>P</td><td>P</td><td>P</td><td>P</td><td>P</td><td>P</td><td>P</td><td>P</td><td>P</td><td>P</td><td>P</td><td>P</td><td>P</td><td>P</td><td>P</td><td>P</td><td>P</td><td>P</td><td>P</td></tr></table> A25 B1 <table border="1"><tr><td>P</td><td>P</td><td>P</td><td>P</td><td>P</td><td>P</td><td>P</td><td>P</td><td>P</td><td>P</td><td>P</td><td>P</td><td>P</td><td>P</td><td>P</td><td>P</td><td>P</td><td>P</td><td>P</td><td>P</td></tr></table> B25	P	P	P	P	P	P	P	P	P	P	P	P	P	P	P	P	P	P	P	P	B	P	P	P	P	P	P	P	P	P	P	P	P	P	P	P	P	P	P	P	P	P	P	P	P	P	P	P	P	P	P	P	P	P	P	P	P	P	P	P	25	25
P	P	P	P	P	P	P	P	P	P	P	P	P	P	P	P	P	P	P	P																																																					
B	P	P	P	P	P	P	P	P	P	P	P	P	P	P	P	P	P	P	P																																																					
P	P	P	P	P	P	P	P	P	P	P	P	P	P	P	P	P	P	P	P																																																					
10035388-913 10035388-913LF	25.86	22.86	17.78	N/A	22.56	N/A	8.50	3.50	4.25	ALL LOADED	8	8																																																												
10035388-902 10035388-902LF	94.44	91.44	86.36	N/A	91.14	N/A	8.50	3.50	4.25	A1 <table border="1"><tr><td>P</td><td>P</td><td>P</td><td>P</td><td>P</td><td>P</td><td>P</td><td>P</td><td>P</td><td>P</td><td>P</td><td>P</td><td>P</td><td>P</td><td>P</td><td>P</td><td>P</td><td>P</td><td>P</td><td>P</td></tr><tr><td>B</td><td>P</td><td>P</td><td>P</td><td>P</td><td>P</td><td>P</td><td>P</td><td>P</td><td>P</td><td>P</td><td>P</td><td>P</td><td>P</td><td>P</td><td>P</td><td>P</td><td>P</td><td>P</td><td>P</td></tr></table> A35 B1 <table border="1"><tr><td>P</td><td>P</td><td>P</td><td>P</td><td>P</td><td>P</td><td>P</td><td>P</td><td>P</td><td>P</td><td>P</td><td>P</td><td>P</td><td>P</td><td>P</td><td>P</td><td>P</td><td>P</td><td>P</td><td>P</td></tr></table> B35	P	P	P	P	P	P	P	P	P	P	P	P	P	P	P	P	P	P	P	P	B	P	P	P	P	P	P	P	P	P	P	P	P	P	P	P	P	P	P	P	P	P	P	P	P	P	P	P	P	P	P	P	P	P	P	P	P	P	P	P	35	35
P	P	P	P	P	P	P	P	P	P	P	P	P	P	P	P	P	P	P	P																																																					
B	P	P	P	P	P	P	P	P	P	P	P	P	P	P	P	P	P	P	P																																																					
P	P	P	P	P	P	P	P	P	P	P	P	P	P	P	P	P	P	P	P																																																					
10035388-108 10035388-108LF	69.04	66.04	60.96	N/A	65.74	N/A	8.50	3.50	4.25	A1 <table border="1"><tr><td>P</td><td>P</td><td>P</td><td>P</td><td>P</td><td>P</td><td>P</td><td>P</td><td>P</td><td>P</td><td>P</td><td>P</td><td>P</td><td>P</td><td>P</td><td>P</td><td>P</td><td>P</td><td>P</td><td>P</td></tr><tr><td>B</td><td>P</td><td>P</td><td>P</td><td>P</td><td>P</td><td>P</td><td>P</td><td>P</td><td>P</td><td>P</td><td>P</td><td>P</td><td>P</td><td>P</td><td>P</td><td>P</td><td>P</td><td>P</td><td>P</td></tr></table> A25 B1 <table border="1"><tr><td>P</td><td>P</td><td>P</td><td>P</td><td>P</td><td>P</td><td>P</td><td>P</td><td>P</td><td>P</td><td>P</td><td>P</td><td>P</td><td>P</td><td>P</td><td>P</td><td>P</td><td>P</td><td>P</td><td>P</td></tr></table> B25	P	P	P	P	P	P	P	P	P	P	P	P	P	P	P	P	P	P	P	P	B	P	P	P	P	P	P	P	P	P	P	P	P	P	P	P	P	P	P	P	P	P	P	P	P	P	P	P	P	P	P	P	P	P	P	P	P	P	P	P	25	25
P	P	P	P	P	P	P	P	P	P	P	P	P	P	P	P	P	P	P	P																																																					
B	P	P	P	P	P	P	P	P	P	P	P	P	P	P	P	P	P	P	P																																																					
P	P	P	P	P	P	P	P	P	P	P	P	P	P	P	P	P	P	P	P																																																					
10035388-206 10035388-206LF	84.28	81.28	76.20	N/A	80.98	N/A	8.50	3.50	4.25	A1 <table border="1"><tr><td>P</td><td>P</td><td>P</td><td>P</td><td>P</td><td>P</td><td>P</td><td>P</td><td>P</td><td>P</td><td>P</td><td>P</td><td>P</td><td>P</td><td>P</td><td>P</td><td>P</td><td>P</td><td>P</td><td>P</td></tr><tr><td>B</td><td>P</td><td>P</td><td>P</td><td>P</td><td>P</td><td>P</td><td>P</td><td>P</td><td>P</td><td>P</td><td>P</td><td>P</td><td>P</td><td>P</td><td>P</td><td>P</td><td>P</td><td>P</td><td>P</td></tr></table> A31 B1 <table border="1"><tr><td>P</td><td>P</td><td>P</td><td>P</td><td>P</td><td>P</td><td>P</td><td>P</td><td>P</td><td>P</td><td>P</td><td>P</td><td>P</td><td>P</td><td>P</td><td>P</td><td>P</td><td>P</td><td>P</td><td>P</td></tr></table> B31	P	P	P	P	P	P	P	P	P	P	P	P	P	P	P	P	P	P	P	P	B	P	P	P	P	P	P	P	P	P	P	P	P	P	P	P	P	P	P	P	P	P	P	P	P	P	P	P	P	P	P	P	P	P	P	P	P	P	P	P	31	31
P	P	P	P	P	P	P	P	P	P	P	P	P	P	P	P	P	P	P	P																																																					
B	P	P	P	P	P	P	P	P	P	P	P	P	P	P	P	P	P	P	P																																																					
P	P	P	P	P	P	P	P	P	P	P	P	P	P	P	P	P	P	P	P																																																					
10035388-110 10035388-110LF	69.04	66.04	60.96	N/A	65.74	N/A	8.50	3.50	4.25	A1 <table border="1"><tr><td>P</td><td>P</td><td>P</td><td>P</td><td>P</td><td>P</td><td>P</td><td>P</td><td>P</td><td>P</td><td>P</td><td>P</td><td>P</td><td>P</td><td>P</td><td>P</td><td>P</td><td>P</td><td>P</td><td>P</td></tr><tr><td>B</td><td>P</td><td>P</td><td>P</td><td>P</td><td>P</td><td>P</td><td>P</td><td>P</td><td>P</td><td>P</td><td>P</td><td>P</td><td>P</td><td>P</td><td>P</td><td>P</td><td>P</td><td>P</td><td>P</td></tr></table> A25 B1 <table border="1"><tr><td>P</td><td>P</td><td>P</td><td>P</td><td>P</td><td>P</td><td>P</td><td>P</td><td>P</td><td>P</td><td>P</td><td>P</td><td>P</td><td>P</td><td>P</td><td>P</td><td>P</td><td>P</td><td>P</td><td>P</td></tr></table> B25	P	P	P	P	P	P	P	P	P	P	P	P	P	P	P	P	P	P	P	P	B	P	P	P	P	P	P	P	P	P	P	P	P	P	P	P	P	P	P	P	P	P	P	P	P	P	P	P	P	P	P	P	P	P	P	P	P	P	P	P	25	25
P	P	P	P	P	P	P	P	P	P	P	P	P	P	P	P	P	P	P	P																																																					
B	P	P	P	P	P	P	P	P	P	P	P	P	P	P	P	P	P	P	P																																																					
P	P	P	P	P	P	P	P	P	P	P	P	P	P	P	P	P	P	P	P																																																					
10035388-204 10035388-204LF	81.74	78.74	73.66	N/A	78.44	N/A	8.50	3.50	4.25	ALL LOADED	30	30																																																												
 10035388-114 10035388-114LF	41.10	38.10	33.02	N/A	37.80	N/A	8.50	3.50	4.25	ALL LOADED	14	14																																																												

spec ref	*	dr	De-Ming Lu	2014/08/06	projection		size	A4	scale	1:1												
tolerance std	TOLERANCES UNLESS OTHERWISE SPECIFIED	eng	Sunny2 Liu	2016/08/29		MM	ecn no		ELX-DG-24841-1													
surface	<table border="1"> <tr><td>linear</td><td>0.X</td><td>±0.5</td></tr> <tr><td></td><td>0.XX</td><td>±0.25</td></tr> <tr><td></td><td>0.XXX</td><td>±0.10</td></tr> <tr><td>angular</td><td>0°</td><td>±2°</td></tr> </table>	linear	0.X	±0.5				0.XX	±0.25		0.XXX	±0.10	angular	0°	±2°	chr	Terris Liu	2016/09/05	product family		-	rel level
linear		0.X	±0.5																			
	0.XX	±0.25																				
	0.XXX	±0.10																				
angular	0°	±2°																				
ISO 1302		appr	Pei-Ming Zheng	2016/09/05	POWER EDGE CARD CONNECTOR		dwg no		10035388		rev	AJ										
		cat. no.		-	Product - Customer Drw			sheet 6 of 6														

Mouser Electronics

Authorized Distributor

Click to View Pricing, Inventory, Delivery & Lifecycle Information:

[FCI / Amphenol:](#)

[10035388-903LF](#) [10035388-904LF](#) [10035388-905LF](#) [10035388-500](#) [10035388-600](#) [10035388-107LF](#) [10035388-912LF](#) [10035388-106LF](#) [10035388-911LF](#) [10035388-205LF](#) [10035388-910LF](#) [10035388-908LF](#) [10035388-909LF](#) [10035388-206LF](#) [10035388-108LF](#) [10035388-907LF](#) [10035388-802LF](#) [10035388-105LF](#) [10035388-103LF](#) [10035388-000](#) [10035388-100](#) [10035388-200](#) [10035388-400](#) [10035388-700](#) [10035388-001](#) [10035388-300](#)