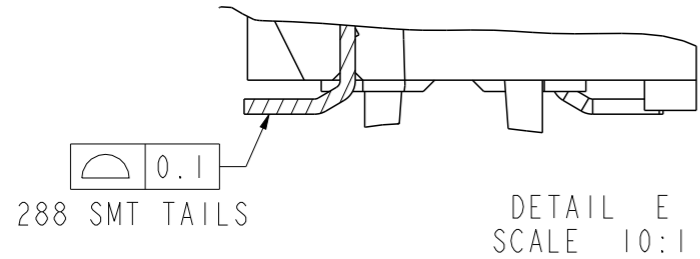
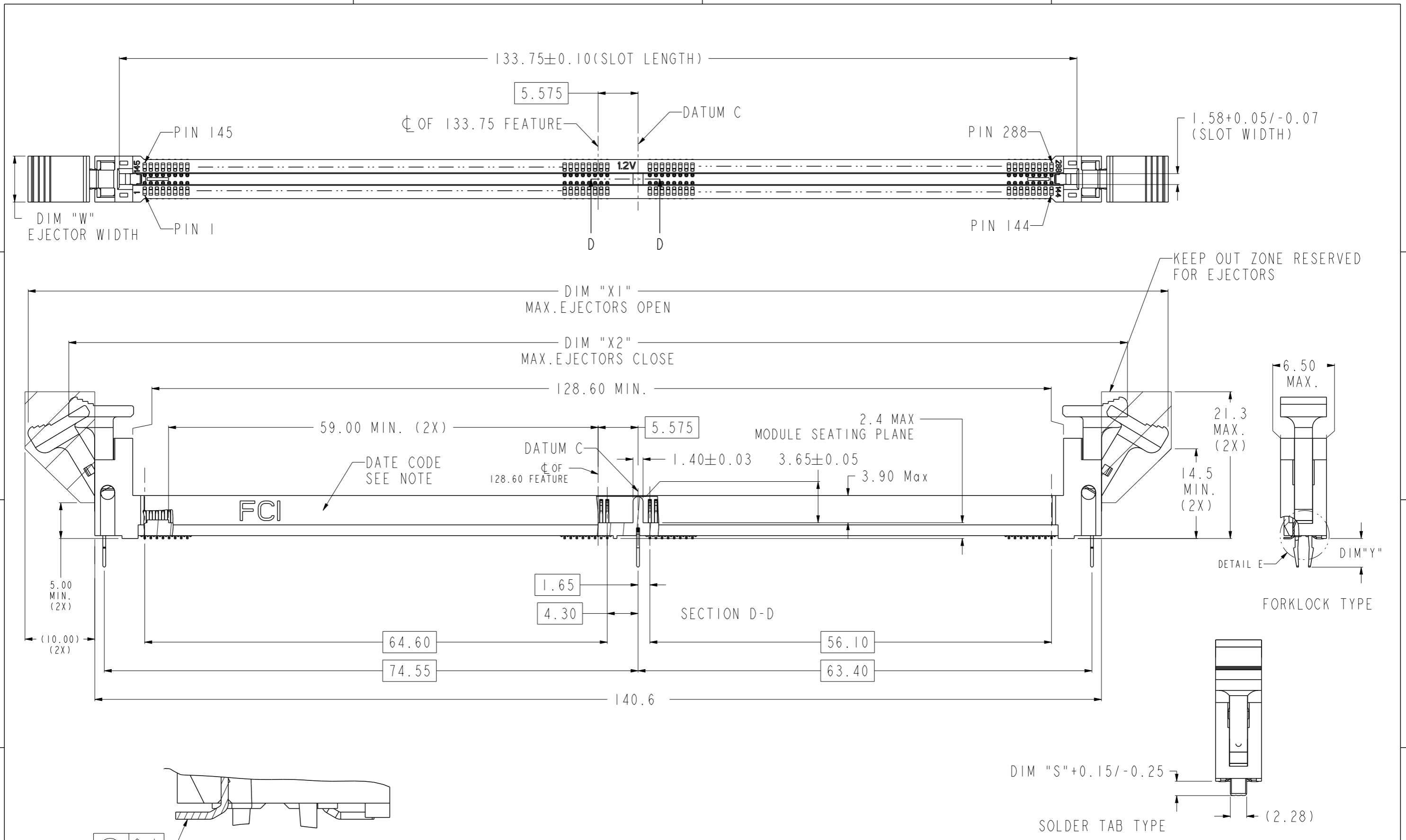


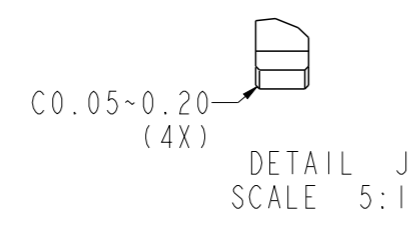
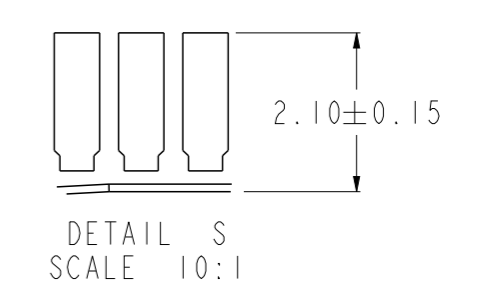
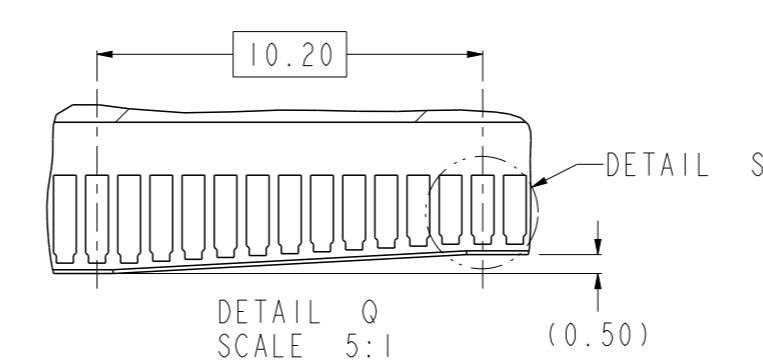
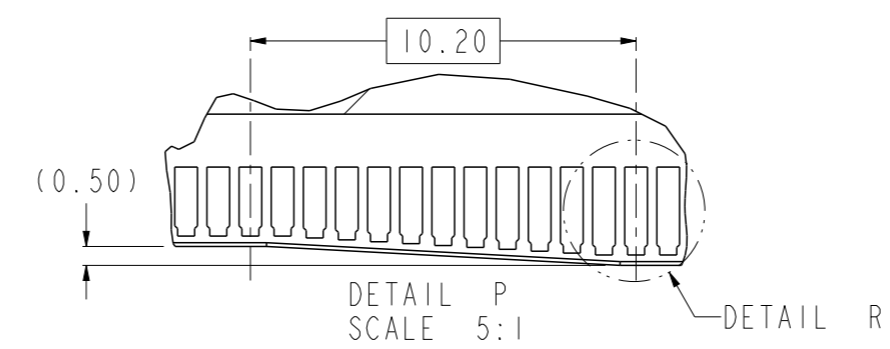
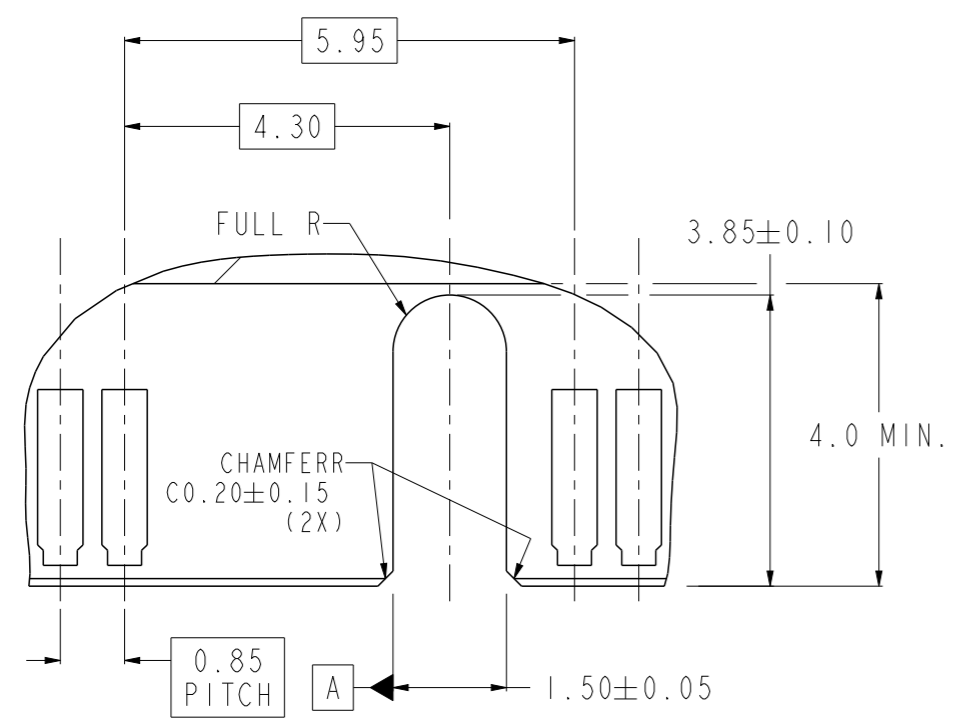
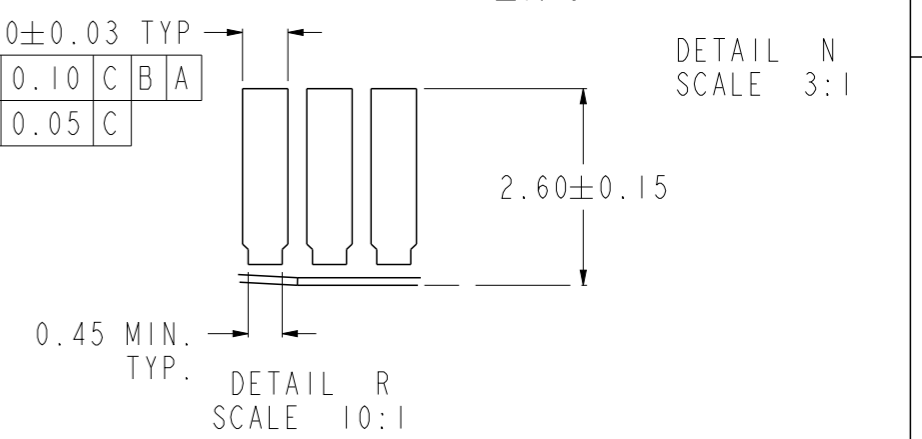
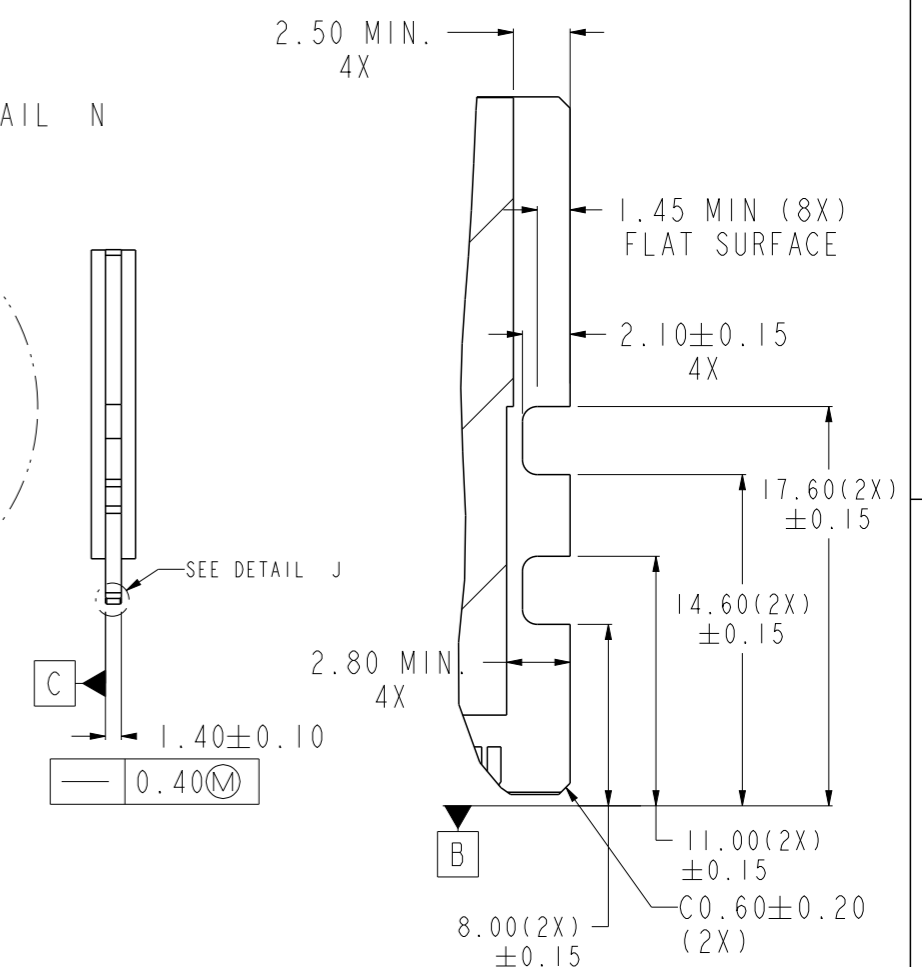
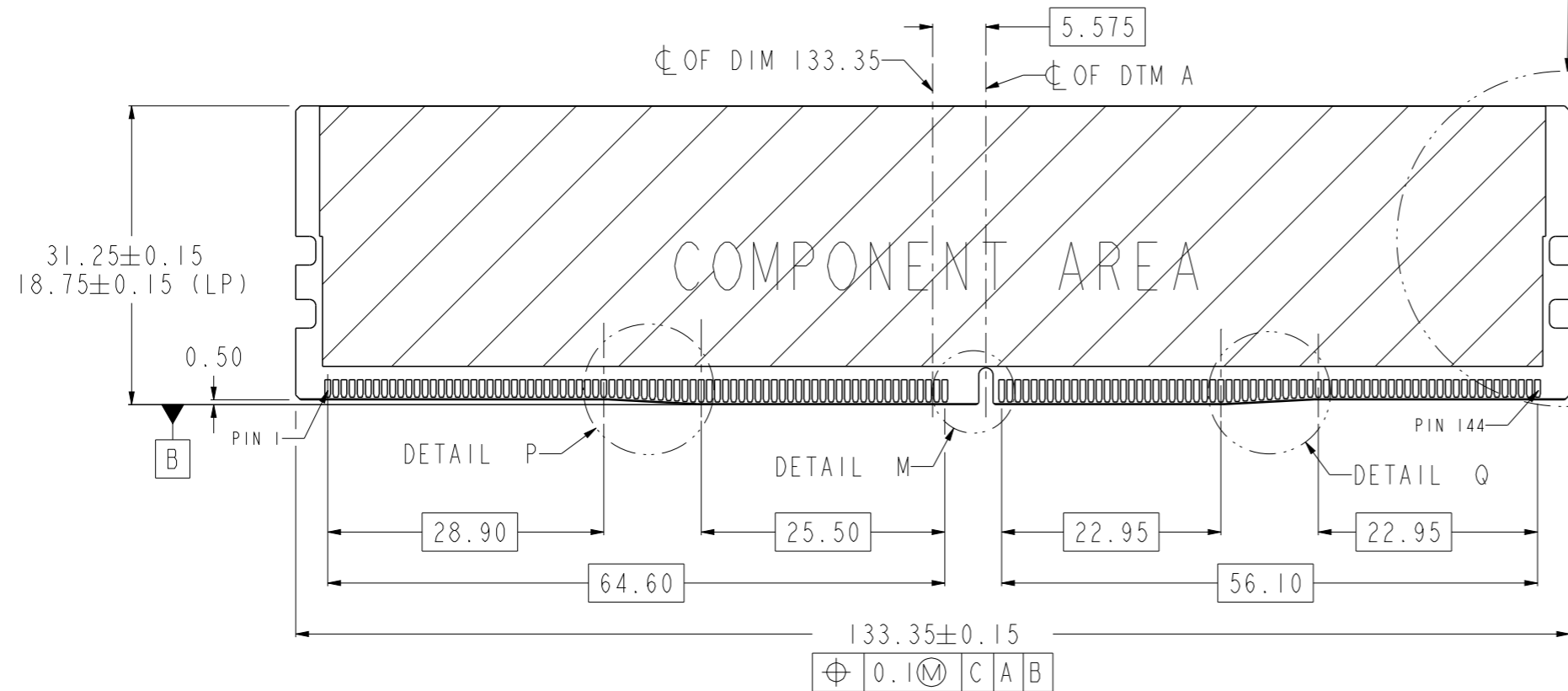
Amphenol  
FCi

© 2016 AFCI



|                                       |                     |      |            |                         |                             |    |        |                |           |          |
|---------------------------------------|---------------------|------|------------|-------------------------|-----------------------------|----|--------|----------------|-----------|----------|
| spec ref                              | -                   | dr   | Nickor Zuo | 2013/05/30              | projection                  | mm | size   | A3             | scale     | 1:1      |
| tolerance std                         | ISO 406<br>ISO 1101 | eng  | Jeny Ren   | 2016/05/27              |                             |    | ecn no | ELX-DG-24075-1 | rel level | Released |
| TOLERANCES UNLESS OTHERWISE SPECIFIED |                     | chr  | Nickor Zuo | 2016/05/27              |                             |    |        |                |           |          |
| surface                               | linear              | 0.X  | ±0.30      | <b>Amphenol<br/>FCi</b> | DDR4 288 PIN DIMM CONNECTOR |    | dwg no | 10124677       | rev       | D        |
|                                       |                     | 0.XX | ±0.20      |                         | SMT TERMINATION             |    |        |                |           |          |
|                                       | angular             | 0°   | ±2°        |                         | cat. no.                    | -  |        |                |           |          |

DDR4 MODULE  
MORE INFORMATION REFER TO JEDEC MO-309

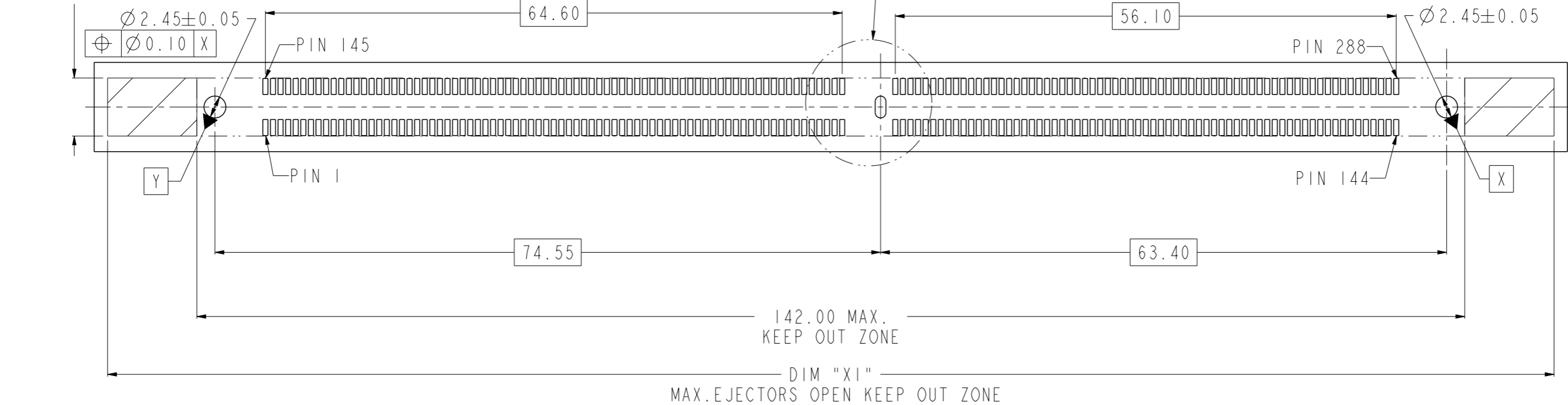


|                                       |                     |      |                |            |                |     |                        |                |       |     |   |
|---------------------------------------|---------------------|------|----------------|------------|----------------|-----|------------------------|----------------|-------|-----|---|
| spec ref                              | -                   | dr   | Nickor Zuo     | 2013/05/30 | projection     | mm  | size                   | A3             | scale | 3:2 |   |
| tolerance std                         | ISO 406<br>ISO 1101 | eng  | Jeny Ren       | 2016/05/27 |                | ← → | ecn no                 | ELX-DG-24075-1 |       |     |   |
| TOLERANCES UNLESS OTHERWISE SPECIFIED |                     | chr  | Nickor Zuo     | 2016/05/27 |                |     | rel level              | Released       |       |     |   |
| surface                               | linear              | appr | Pei-Ming Zheng | 2016/05/27 | product family | -   | dwg no                 | 10124677       |       | rev | D |
| ISO 1302                              | angular             |      |                |            | cat. no.       | -   | Product - Customer Drw | sheet 2 of 5   |       |     |   |
|                                       | 0.X                 |      |                |            |                |     |                        |                |       |     |   |
|                                       | 0.XX                |      |                |            |                |     |                        |                |       |     |   |
|                                       | 0.XXX               |      |                |            |                |     |                        |                |       |     |   |
|                                       | 0°                  |      |                |            |                |     |                        |                |       |     |   |
|                                       | ±0.30               |      |                |            |                |     |                        |                |       |     |   |
|                                       | ±0.20               |      |                |            |                |     |                        |                |       |     |   |
|                                       | ±0.10               |      |                |            |                |     |                        |                |       |     |   |
|                                       | ±2°                 |      |                |            |                |     |                        |                |       |     |   |

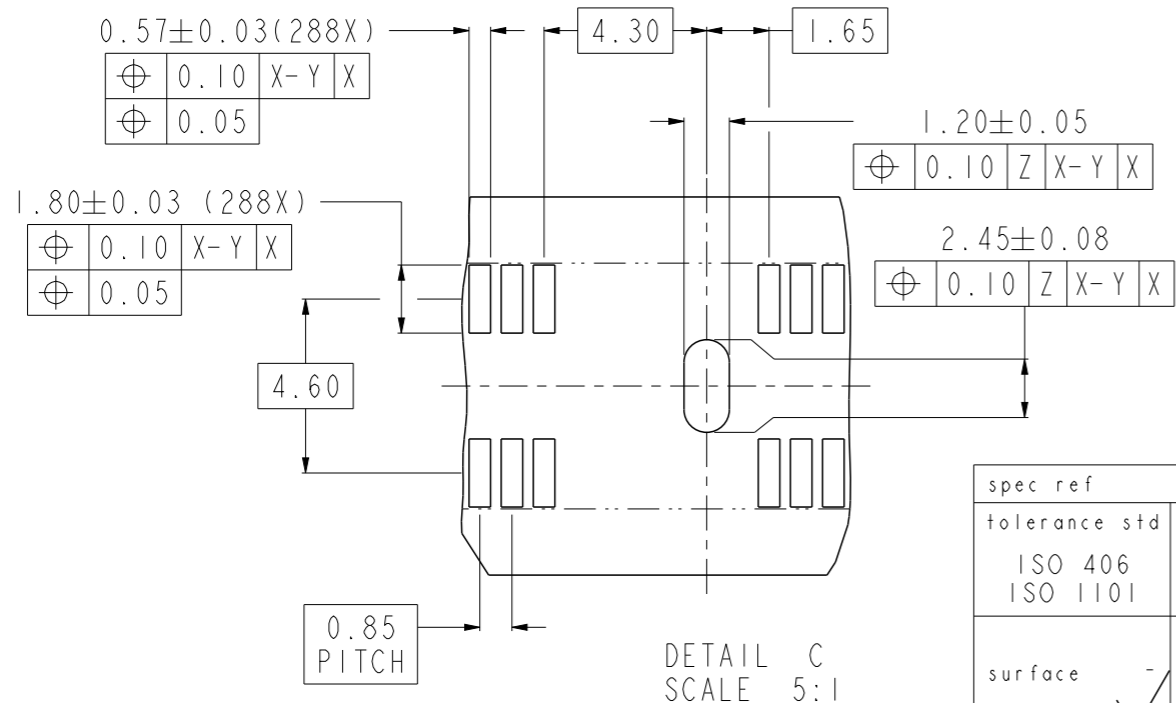
© 2016 AFCI Amphenol FCI

RECOMMENDED PCB LAYOUT  
MORE INFORMATION REFER TO JEDEC SO-017

6.50 MAX.  
KEEP OUT ZONE



THICKNESS  
1.6~3.2mm



ADDITIONAL NOTES:

1. RECOMMENDED STENCIL THICKNESS IS NOT LESS THAN 0.15mm

|               |                                       |      |                |            |                             |    |                        |                |                       |     |   |
|---------------|---------------------------------------|------|----------------|------------|-----------------------------|----|------------------------|----------------|-----------------------|-----|---|
| spec ref      | -                                     | dr   | Nickor Zuo     | 2013/05/30 | projection                  | mm | size                   | A3             | scale                 | 1:1 |   |
| tolerance std | ISO 406<br>ISO 1101                   | eng  | Jeny Ren       | 2016/05/27 |                             |    | ecn no                 | ELX-DG-24075-1 |                       |     |   |
|               | TOLERANCES UNLESS OTHERWISE SPECIFIED | chr  | Nickor Zuo     | 2016/05/27 |                             |    | rel level              | Released       |                       |     |   |
| surface       | ISO 1302                              | appr | Pei-Ming Zheng | 2016/05/27 | product family              | -  | dwg no                 | 10124677       |                       | rev | D |
|               | linear                                |      |                |            | DDR4 288 PIN DIMM CONNECTOR |    | Product - Customer Drw |                | sheet 3 of 5          |     |   |
|               | angular                               |      |                |            | SMT TERMINATION             |    | STATUS:Released        |                | Printed: May 27, 2016 |     |   |

Amphenol  
FCi

© 2016 AFCI

PRODUCT PART NUMBER

10124677-□□□□□□□□

ADDITIONAL REQUIREMENTS

0: DEFAULT

HOLD DOWNS CONFIGURATIONS

- 0: 3 FORKLOCKS, DIM "Y"=4.00±0.25
- 1: 3 FORKLOCKS, DIM "Y"=2.50±0.25
- 2: 3 FORKLOCKS, DIM "Y"=3.78±0.25
- 3: 3 SOLDER TABS, DIM"S"=2.00
- 5: 2 SOLDER TABS AT BOTH END +1 FORKLOCK AT MIDDLE  
DIM "Y"=4.00±0.25
- 6: 3 SOLDER TABS, DIM"S"=1.50

MYLAR AND PACKAGE

- 0. WITH MYLAR(LENGTH=30mm),HARD TRAY PACKAGE
- 1. WITH MYLAR(LENGTH=90mm),HARD TRAY PACKAGE
- 2. WITHOUT MYLAR, HARD TRAY PACKAGE
- 3. WITHOUT MYLAR, SPECIFIED HARD TRAY PACKAGE (OMIT FOUR CORNERS)

HOUSING COLOR

- 0: NATURAL
- 1: BLACK
- 2: BLUE

SMT TAIL PLATING

LF: 100u" MIN. MATTE TIN  
TL: 100u" MIN. TIN LEAD

CONTACT AREA PLATING

CONTACTS LUBRICATION

- 0: WITHOUT
- 1: WITH

EJECTOR TYPE

| CODE | CONTACT AREA  | UNDERPLATING    |
|------|---------------|-----------------|
| 1    | 15u" MIN.GOLD | 50u" MIN.NICKEL |
| 3    | 30u" MIN.GOLD |                 |
| 4    | 30u" MIN.GXT  |                 |
| 5    | 15u" MIN.GXT  | 90u" MIN.NICKEL |
| 6    | 30u" MIN.GOLD |                 |
| 7    | 15u" MIN.GOLD |                 |

| CODE   | COLOR      | DIM"X1"<br>MAX.EJECTORS<br>OPEN DISTANCE | DIM"X2"<br>MAX.EJECTORS<br>CLOSE DISTANCE | DIM"W"<br>EJECTOR WIDTH | EJECTOR<br>FIGURE |
|--------|------------|--|---|-------------------------|-------------------|
| 0      | NATURAL    | 162.00                                   | 149.00                                    | (6.42)                  |                   |
| 1      | BLACK      |  |   |                         |                   |
| D      | BLUE       |  |   |                         |                   |
| 3      | NATURAL    | 152.00                                   | 142.00                                    | (6.42)                  |                   |
| 4      | BLACK      |  |   |                         |                   |
| S      | SEE NOTE 7 |  |   |                         |                   |
| H      | GREEN      |  |   |                         |                   |
| B      | NATURAL    | 152.00                                   | 142.00                                    | (6.42)                  |                   |
| C      | BLACK      |  |   |                         |                   |
| 6      | NATURAL    | 157.00                                   | 145.00                                    | (4.00)                  |                   |
| 7      | BLACK      |  |   |                         |                   |
| E OR J | NATURAL    | 155.00                                   | 145.00                                    | (6.42)                  |                   |
| F OR K | BLACK      |  |   |                         |                   |
| U      | BLUE       |  |   |                         |                   |

| CODE | COLOR   | DIM"X1"<br>MAX.EJECTORS<br>OPEN DISTANCE | DIM"X2"<br>MAX.EJECTORS<br>CLOSE DISTANCE | DIM"W"<br>EJECTOR WIDTH | EJECTOR<br>FIGURE |
|------|---------|--|---|-------------------------|-------------------|
| R    | NATURAL | 156.00                                   | 145.00                                    | (6.42)                  |                   |
| P    | BLACK   |  |   |                         |                   |
| V    | BLUE    |  |   |                         |                   |

|                                       |                     |       |                |                 |  |                        |              |                |       |     |
|---------------------------------------|---------------------|-------|----------------|-----------------|--|------------------------|--------------|----------------|-------|-----|
| spec ref                              | -                   | dr    | Nickor Zuo     | 2013/05/30      | projection                                     |                        | size         | A3             | scale | 1:1 |
| tolerance std                         | ISO 406<br>ISO 1101 | eng   | Jeny Ren       | 2016/05/27      |  |                        | ecn no       | ELX-DG-24075-1 |       |     |
| TOLERANCES UNLESS OTHERWISE SPECIFIED |                     | chr   | Nickor Zuo     | 2016/05/27      | product family                                 | -                      | rel level    | Released       |       |     |
|                                       |                     | appr  | Pei-Ming Zheng | 2016/05/27      |  |                        |              |                |       |     |
| surface                               | linear              | 0.X   | ±0.30          | Amphenol<br>FCi | DDR4 288 PIN DIMM CONNECTOR<br>SMT TERMINATION | dwg no                 | 10124677     | rev            | D     |     |
|                                       |                     | 0.XX  | ±0.20          |                 |  |                        |              |                |       |     |
|                                       |                     | 0.XXX | ±0.10          |                 |  |                        |              |                |       |     |
|                                       | angular             | 0°    | ±2°            | cat. no.        | -  | Product - Customer Drw | sheet 4 of 5 |                |       |     |

Amphenol  
FCi

© 2016 AFCI

PRODUCT PART NUMBER

10124677-□□□□□□□□

ADDITIONAL REQUIREMENTS

1: LOW HALOGEN

HOLD DOWNS CONFIGURATIONS

- 0: 3 FORKLOCKS, DIM "Y"=4.00±0.25
- 1: 3 FORKLOCKS, DIM "Y"=2.50±0.25
- 2: 3 FORKLOCKS, DIM "Y"=3.78±0.25
- 3: 3 SOLDER TABS, DIM"S"=2.00
- 5: 2 SOLDER TABS AT BOTH END +1 FORKLOCK AT MIDDLE  
DIM "Y"=4.00±0.25
- 6: 3 SOLDER TABS, DIM"S"=1.50

MYLAR AND PACKAGE

- 0. WITH MYLAR(LENGTH=30mm),HARD TRAY PACKAGE
- 1. WITH MYLAR(LENGTH=90mm),HARD TRAY PACKAGE
- 2. WITHOUT MYLAR, HARD TRAY PACKAGE
- 3. WITHOUT MYLAR, SPECIFIED HARD TRAY PACKAGE (OMIT FOUR CORNERS)

HOUSING COLOR

- 0: NATURAL
- 1: BLACK
- 2: BLUE

EJECTOR TYPE

| CODE | COLOR   | DIM"X1"<br>MAX.EJECTORS<br>OPEN DISTANCE | DIM"X2"<br>MAX.EJECTORS<br>CLOSE DISTANCE | DIM"W"<br>EJECTOR WIDTH | EJECTOR<br>FIGURE |
|------|---------|--|---|-------------------------|-------------------|
| 0    | NATURAL | 162.00                                   | 149.00                                    | (6.42)                  |                   |
| 1    | BLACK   |  |   |                         |                   |
| 3    | NATURAL | 152.00                                   | 142.00                                    |                         |                   |
| 4    | BLACK   |  |   |                         |                   |

SMT TAIL PLATING

LF: 100u" MIN. MATTE TIN  
TL: 100u" MIN. TIN LEAD

CONTACT AREA PLATING

CONTACTS LUBRICATION

- 0: WITHOUT
- 1: WITH

| CODE | CONTACT AREA  | UNDERPLATING    |
|------|---------------|-----------------|
| 1    | 15u" MIN.GOLD | 50u" MIN.NICKEL |
| 3    | 30u" MIN.GOLD |                 |
| 4    | 30u" MIN.GXT  |                 |
| 5    | 15u" MIN.GXT  | 90u" MIN.NICKEL |
| 6    | 30u" MIN.GOLD |                 |
| 7    | 15u" MIN.GOLD |                 |

NOTES:

1. MATERIALS:  
HOUSING: HIGH PERFORMANCE RESINS, GLASS FIBER FILLED, UL94 V-0 RATED.  
EJECTOR: HIGH PERFORMANCE RESINS, GLASS FIBER FILLED, UL94 V-0 RATED.  
TERMINAL: COPPER ALLOY  
FORKLOCK: COPPER ALLOY  
SOLDER TAB: COPPER ALLOY
2. STENCIL THICKNESS IS NOT LESS THAN 0.15mm.
3. DATE CODE "MMDDYYL", MMDDYY IS ASSEMBLY DATE, L IS FCI PRODUCTION LINE.
4. SPECIFICATION:  
PRODUCTION SPECIFICATION: FCI GS-12-1092.  
PACKAGE SPECIFICATION: FCI GS-14-2267.  
APPLICATION SPECIFICATION: FCI GS-20-0353.
5. LEAD FREE PRODUCT MEETS EUROPEAN UNION DIRECTIVES AND OTHER COUNTRY REGULATIONS AS DESCRIBED IN FCI GS-22-008.
6. THIS PRODUCT WILL WITHSTAND EXPOSURE TO 260°C PEAK TEMPERATURE FOR 10 SECONDS IN REFLOW SOLDERING APPLICATION.
7. NATURE EJECTOR NEAR PIN 1#+BLACK EJECTOR NEAR PIN 288#

|                                       |                     |      |                |                     |                             |            |                        |              |                |       |     |
|---------------------------------------|---------------------|------|----------------|---------------------|-----------------------------|------------|------------------------|--------------|----------------|-------|-----|
| spec ref                              | -                   | dr   | Nickor Zuo     | 2013/05/30          | projection                  |            | mm                     | size         | A3             | scale | 1:1 |
| tolerance std                         | ISO 406<br>ISO 1101 | eng  | Jeny Ren       | 2016/05/27          | chr                         | Nickor Zuo | 2016/05/27             | ecn no       | ELX-DG-24075-1 |       |     |
| TOLERANCES UNLESS OTHERWISE SPECIFIED |                     | appr | Pei-Ming Zheng | 2016/05/27          | product family              | -          |                        |              |                |       |     |
| surface                               | linear              | 0.X  | ±0.30          | <b>Amphenol FCI</b> | DDR4 288 PIN DIMM CONNECTOR |            |                        | dwg no       | 10124677       |       |     |
|                                       |                     | 0.XX | ±0.20          |                     | SMT TERMINATION             |            |                        | rev          | D              |       |     |
|                                       | angular             | 0°   | ±2°            |                     | cat. no.                    | -          | Product - Customer Drw | sheet 5 of 5 |                |       |     |

Amphenol FCI

© 2016 AFCI

# Mouser Electronics

Authorized Distributor

Click to View Pricing, Inventory, Delivery & Lifecycle Information:

## [FCI / Amphenol:](#)

[10124677-0311403LF](#) [10124677-0621403LF](#) [10124677-0101603LF](#) [10124677-1612301LF](#) [10124677-1611301LF](#)  
[10124677-0201116LF](#) [10124677-1611001LF](#) [10124677-1612001LF](#) [10124677-0611001LF](#) [10124677-0301103LF](#)  
[10124677-1602001LF](#) [10124677-1601001LF](#) [10124677-0501F03LF](#) [10124677-2401306LF](#)