

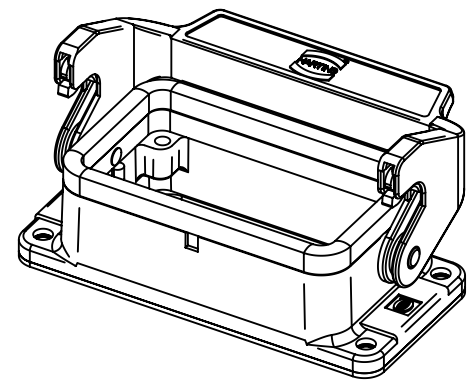
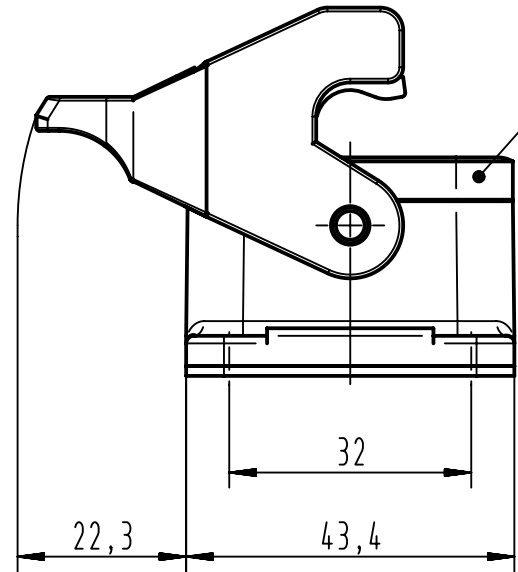
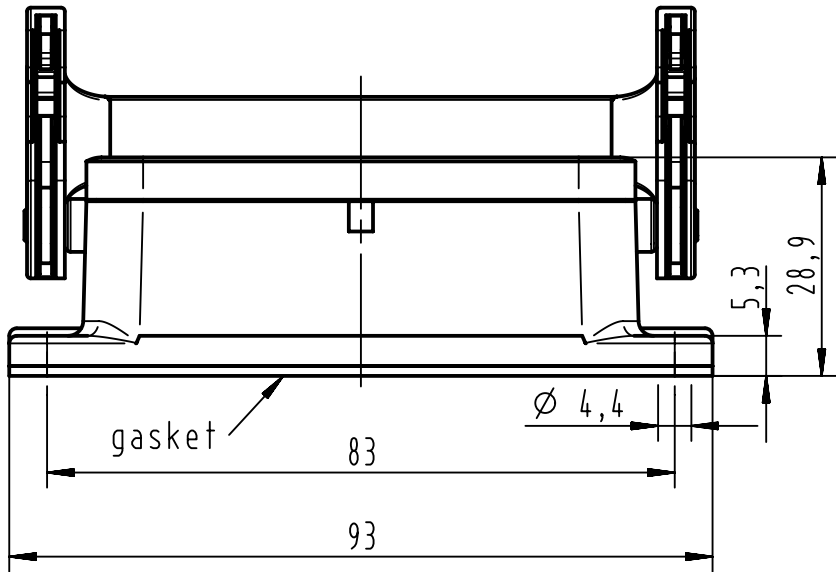
1 2 3 4 5 6

A

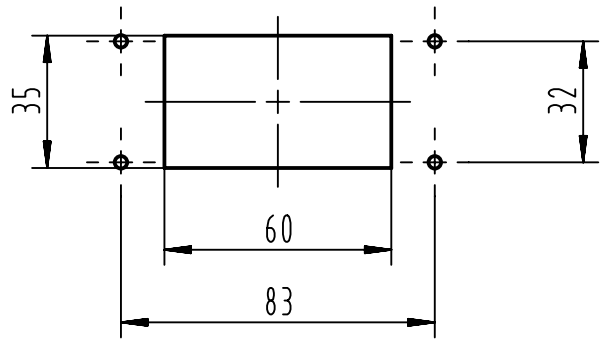
B


C

D



1:2 panel cut out



	All Dimensions in mm Original Size DIN A4		Scale 1:1		Free size tol.		Ref. Sub.			
	All rights reserved Department EL PD - DE		Created by SCHULZI		Inspected by BERGHORN		Standardisation SCHMIDTM			
HARTING Electric GmbH & Co. KG D-32339 Espelkamp			Title Han 10B-HMC-agg-LB				Date 2013-01-17		State Final Release	
			Type TB		Number 09 30 210 0305			Doc-Key / ECM-Nr. 100521756/UGD/002/A		
							Rev. A		Page 1/1	

Mouser Electronics

Authorized Distributor

Click to View Pricing, Inventory, Delivery & Lifecycle Information:

[HARTING:](#)

[11200031401](#)