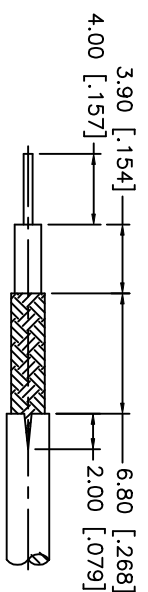
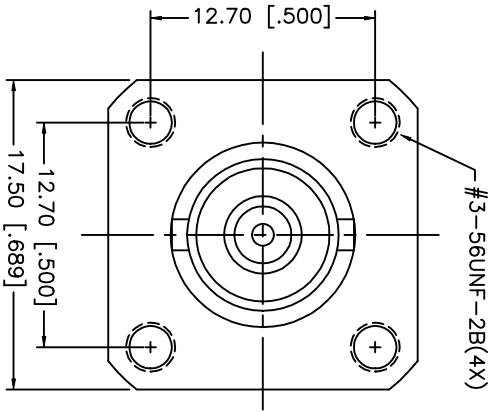


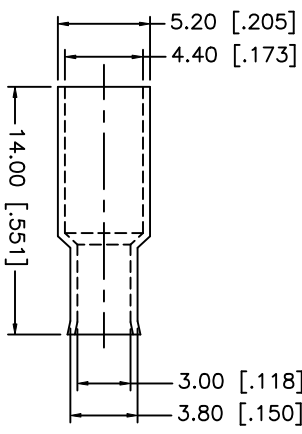
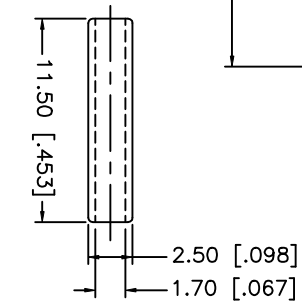
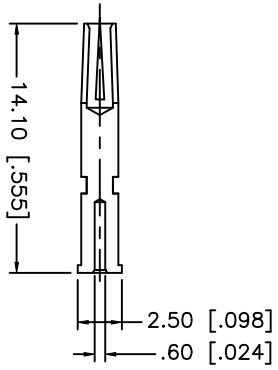
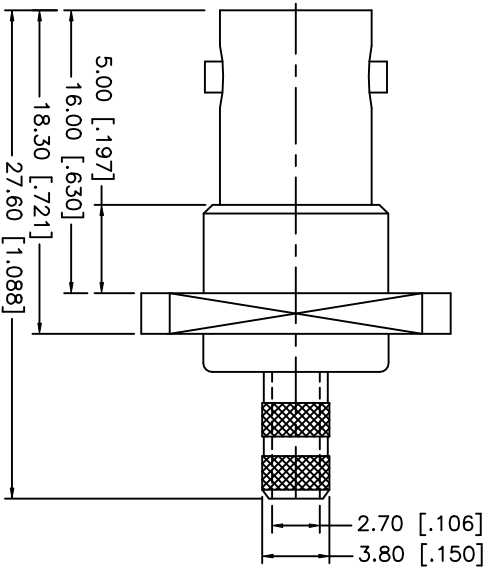
REV.	DATE	DESCRIPTION
NC	07/29/02	INITIAL RELEASE



RECOMMENDED
CABLE STRIPPING DIM'S



#3-56UNF-2B(4X)



NO.	DESCRIPTION	MATERIAL	FINISH
8			
7			
6	FERRULE	COPPER	NICKEL
5	SLEEVE	DELIRIN	NATURAL
4	CONTACT PIN	PHOS. BRONZE	GOLD
3	BARREL	BRASS	NICKEL
2	INSULATOR	TEFLON	NATURAL
1	BODY/HOUSING	BRASS	NICKEL

UNLESS OTHERWISE SPECIFIED
DIMENSIONS ARE IN MILLIMETERS
DIMENSIONS IN []
ARE IN INCHES FOR
CUSTOMER REFERENCE ONLY

UNLESS OTHERWISE SPECIFIED
TOLERANCES FOR INCHES ARE:
.XXX = ± 0.005"
.XX = ± 0.010"
.X = ± 0.020"

DO NOT SCALE DRAWING

APPROVALS	DATE
G.R.S.	07/29/02
DRAWN	
CHECKED	
ISSUED	

Amphenol - Connex
CONNECTOR CORPORATION

TITLE
BNC PANEL JACK - W/ #3-56 TAPPED HOLES
(FOR RG-174/U, 188A/U, 316/U CABLE)

SIZE	FSQM NO.	DWG. NO.	REV.
A	99001	112288-11.DWG	NC
SCALE	NA	PART NO.	SHEET
		112288-11	1 OF 1

Mouser Electronics

Authorized Distributor

Click to View Pricing, Inventory, Delivery & Lifecycle Information:

[Amphenol:](#)

[112288-11](#)