

Membrane Switch Frontpanel Short Stroke 18 mm



Weblinks

[html-datasheet](#), [General Product Information](#), [CE declaration of conformity](#), [RoHS](#), [CHINA-RoHS](#), [CAD-Drawings](#), [Product News](#), [Detailed request for product](#)

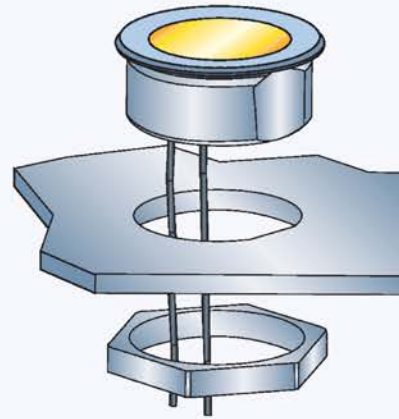
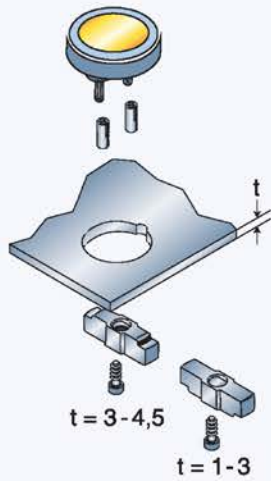
DATA MCS 18		SWITCHES – MOMENTARY ACTION	
		BENEFITS	
		<ul style="list-style-type: none"> ■ Unique mechanical switches with tactile feedback ■ Extremely high life time of 5 million switching ■ Small mounting depth ■ Various lettering options ■ Front and rear tested to degree of protection IP 65 	
		MCS 18 gold contacts	MCS 18 silver contacts
Electrical data			
Contact material		gold	silver
Switching voltage	[mV] [V]	min. 50 DC max. 24 DC	min. 5V DC max. 48 DC
Switching current max.	[mA]	80	125
Rated breaking capacity	[W]	0.36	0.72
Lifetime (at rated breaking capacity)		> 10 ⁶	> 10 ⁶
Initial contact resistance, new	[mΩ]	< 50	< 50
Initial contact resistance, after lifetime	[mΩ]	< 150	< 150
Insulation resistance	[Ω]	> 10 ⁸	> 10 ⁸
Contact bounce time	[ms]	typ. 0.1	typ. 0.1
ESD resistance	[kV]	± 16	± 16
Mechanical data			
Actuating force	[N]	3 ± 1	3 ± 1
Contact travel	[mm]	0.5 ± 0.1	0.5 ± 0.1
End stop strength	[N]	> 50	> 50
Lifetime	[operations]	> 1 Mio.	> 1 Mio.
Other data			
Solderability	[°C/s]	235 / 2	235 / 2
Soldering heat resistance	[°C/s]	260 / 5	260 / 5
Ambient temperature	[°C]	-25 – +60	-25 – +60
Storage temperature	[°C]	-25 – +60	-25 – +60
Degree of protection		IP 65	IP 65
Recommended torque	[N/cm]	8	8
Materials			
Socket/ Housing (SSM 27)		Thermoplast PES	Thermoplast PES
Face foil		PETP	PETP
Bezel		Thermoplast PBTP	Thermoplast PBTP
Contact material gold / silver		CuZn 37, 3µm Ni 2µm Au	CuZn 37, 2.5µm Ag
Soldering aid		tinned	tinned

FRONTPANEL
SHORT STROKE

DIMENSIONS MCS 18

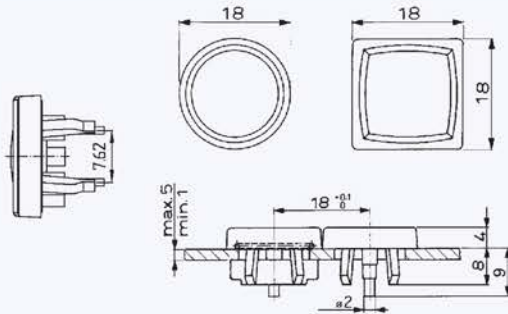
SWITCHES—MOMENTARY ACTION

CONSTRUCTION

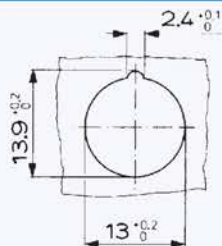


MCS 18

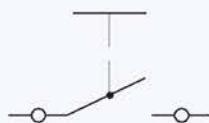
DIMENSIONS



DRILLING DIAGRAM



CIRCUIT DIAGRAM

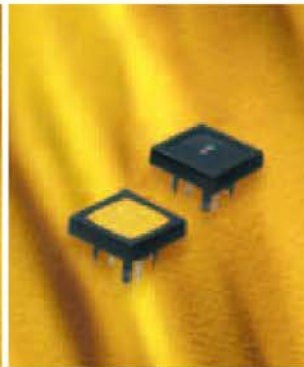


OVERVIEW MCS 18

SWITCHES—MOMENTARY ACTION



MCS 18



MCS 18

FEATURES

Contact material	Ag	Au
Degree of protection	IP 65	IP 65
PART NUMBER *		
square	1241.1100. x xxx	1241.1102. x xxx
round	1241.1104. x xxx	1241.1106. x xxx
square with soldering aid	1241.1112. x xxx	
round with soldering aid	1241.1113. x xxx	
Colour of bezel		
red	3	3
grey	6	6
black	7	7
alu natural		
Colour of face foil		
red		
green		
Colour of face foil without legend		
yellow	091	091
red	093	093
green	095	095
grey	096	096
black	097	097
white	098	098
Standard lettering		
Order index	see page 29	see page 29
Accessories		
IP 65 to the front	0098.9201	0098.9201

* X in the Part No. must be replaced by the desired version

FRONTPANEL
SHORT STROKE

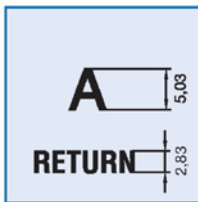


LETTERING

Depending on the application and font, there are various lettering possibilities. The following standards can be used for key letterings:

ORDER INDEX LETTERING

A = 001	P = 016	4 = 031	↕ = 046	EIN = 061
B = 002	Q = 017	5 = 032	→ = 047	AUS = 062
C = 003	R = 018	6 = 033	← = 048	AUF = 063
D = 004	S = 019	7 = 034	↓ = 049	AB = 064
E = 005	T = 020	8 = 035	↑ = 050	ON = 065
F = 006	U = 021	9 = 036	% = 051	OFF = 066
G = 007	V = 022	+ = 037	√ = 052	UP = 067
H = 008	W = 023	- = 038	CTRL = 053	DOWN = 068
I = 009	X = 024	. = 039	RETURN = 054	HIGH = 069
J = 010	Y = 025	x = 040	SHIFT = 055	LOW = 070
K = 011	Z = 026	+ = 041	LOCK = 056	ON/OFF = 071
L = 012	0 = 027	* = 042	STOP = 057	START = 072
M = 013	1 = 028	= = 043	ENTER = 058	
N = 014	2 = 029	# = 044	BACK = 059	
O = 015	3 = 030	↔ = 045	LINE = 060	



MCS 18, LETTER HEIGHTS AND FONTS

- Single characters, Univers 65
- Legends max. 6 characters in line, Univers 65
- Insert label and front foil anthracite, RAL 7016
- Characters and symbols light grey, RAL 7035

Mouser Electronics

Authorized Distributor

Click to View Pricing, Inventory, Delivery & Lifecycle Information:

Schurter:

[1241.1113.7093](#) [1241.1104.7097](#) [0098.9201](#) [1241.1100.3098](#) [1241.1100.4094](#) [1241.1100.5095](#) [1241.1100.5097](#)
[1241.1100.7013](#) [1241.1100.7049](#) [1241.1100.7050](#) [1241.1100.7058](#) [1241.1100.7093](#) [1241.1100.7096](#)
[1241.1100.7097](#) [1241.1100.7098](#) [1241.1100.8028](#) [1241.1100.8029](#) [1241.1100.8030](#) [1241.1100.8031](#)
[1241.1100.8032](#) [1241.1100.8033](#) [1241.1100.8034](#) [1241.1100.8035](#) [1241.1100.8036](#) [1241.1100.8058](#)
[1241.1102.7093](#) [1241.1102.7095](#) [1241.1102.7097](#) [1241.1102.7098](#) [1241.1102.8048](#) [1241.1102.8050](#)
[1241.1104.2093](#) [1241.1104.6095](#) [1241.1104.6097](#) [1241.1104.7059](#) [1241.1104.7091](#) [1241.1104.7093](#)
[1241.1104.7094](#) [1241.1104.7095](#) [1241.1106.7091](#) [1241.1106.7095](#) [1241.1106.7096](#) [1241.1106.7097](#)
[1241.1106.7098](#) [1241.1112.6096](#) [1241.1112.6097](#) [1241.1112.7018](#) [1241.1112.7037](#) [1241.1112.7092](#)
[1241.1112.7093](#) [1241.1112.7095](#) [1241.1112.7096](#) [1241.1112.7097](#) [1241.1112.7098](#) [1241.1113.4094](#)
[1241.1113.6096](#) [1241.1113.7010](#) [1241.1113.7091](#) [1241.1113.7094](#) [1241.1113.7095](#) [1241.1113.7097](#)
[1241.1113.7098](#) [1241.1100.7047](#) [1241.1102.8037](#) [1241.1102.8038](#) [1241.1113.6098](#) [1245.2112.43100093](#)
[1241.1104.7048](#) [1241.1104.7058](#)