

PART NUMBER	PACKAGING	ITEM ① BODY	ITEM ② CONTACT	ITEM ③ INSULATOR
125-0701-801	BULK PACK 5 PCS/BAG	BERYLLIUM COPPER GOLD PL .00005 MIN OVER NICKEL PL.00005 MIN OVER COPPER	BERYLLIUM COPPER GOLD PL .00005 MIN OVER NICKEL PL.00005 MIN OVER COPPER	TEFLON
125-0701-802	TAPE AND REEL 1000 PCS PER FIG1	PL.00005 MIN	PL.00005 MIN	

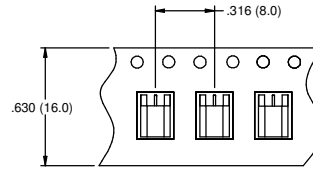
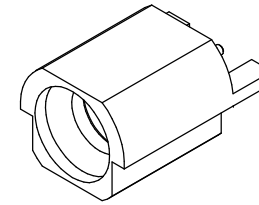
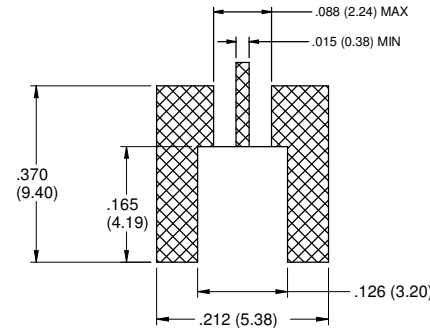
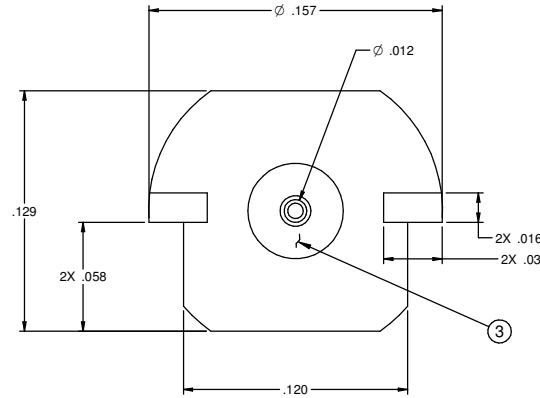
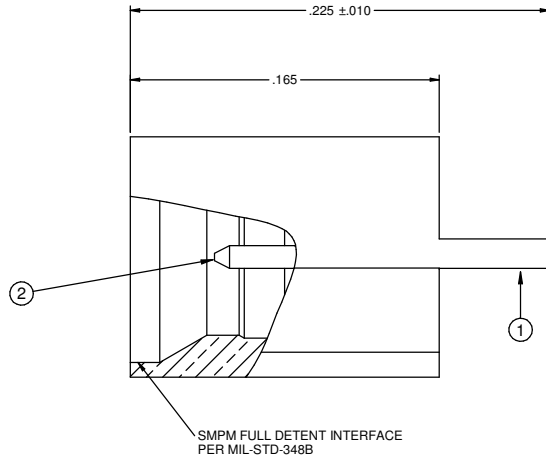


FIG 1
2:1



10:1



RECOMMENDED PCB LAYOUT

NOTE: THIS PATTERN IS FOR REFERENCE ONLY.
PATTERN MAY VARY DEPENDING ON ASSEMBLY
PROCESS, BOARD TYPE, OR SPECIFIC
ELECTRICAL OR MECHANICAL REQUIREMENTS.

SPECIFICATION:

IMPEDANCE: 50 OHMS
 FREQUENCY RANGE: 0-40 GHz
 VSWR: DEPENDANT ON APPLICATION
 WORKING VOLTAGE: 325 VRMS MAX AT SEA LEVEL
 DIELECTRIC WITHSTANDING VOLTAGE: 325 VRMS MIN AT SEA LEVEL
 INSULATION RESISTANCE: 5000 MEGOHM MIN
 CONTACT RESISTANCE:
 CENTER CONTACT - INITIAL 6 MILLIOHM MAX, AFTER ENVIRONMENTAL NOT APPLICABLE
 OUTER CONDUCTOR - INITIAL 2 MILLIOHM MAX, AFTER ENVIRONMENTAL NOT APPLICABLE
 RF LEAKAGE: NOT APPLICABLE

MECHANICAL:

ENGAGEMENT FORCE: 4.5 LBS TYPICAL
 DISENGAGEMENT FORCE: 6.5 LBS TYPICAL
 CONTACT RETENTION: 1.5 LBS MIN AXIAL FORCE
 DURABILITY: 100 CYCLES MIN

ENVIRONMENTAL:

OPERATING TEMPERATURE: -65 TO 165°C
 THERMAL SHOCK: MIL-STD-202, METHOD 107, CONDITION B
 MECHANICAL SHOCK: MIL-STD-202, METHOD 213, CONDITION I
 CORROSION: MIL-STD-202, METHOD 101
 VIBRATION: MIL-STD-202, METHOD 204
 MOISTURE RESISTANCE: MIL-STD-202, METHOD 106, EXCEPT STEP 7B

DRAWING NO. 125-0701-801/802	
REVISIONS	
1	RELEASE
4-8-2013	R S L M ECO-13-0089

THIS DRAWING TO BE INTERPRETED
PER ANSI Y 14.5M - 1994

CUSTOMER COPY

TOLERANCE UNLESS OTHERWISE SPECIFIED		DRAWN BY	DATE
DECIMALS	INCH	R.SHEN	1-27-2013
X.X	±0.010	CHECKED BY	DATE
X.XX	±0.005	R.SHEN	1-27-2013
X.XXX	±0.003	APPROVED BY	DATE
ANGLES	±0.5°	L.MA	1-28-2013
	U/M	INCH	Ⓢ

EMERSON Network Power		Connectivity Solutions	
TITLE SMPM MALE FULL DETENT SURFACE MOUNT END LAUNCH			
SHEET 1 OF 1	DRAWING NO. 125-0701-801/802	SIZE C	

THIS DRAWING WAS PRODUCED BY COMPUTER,
DO NOT SCALE DRAWING OR UPDATE MANUALLY.