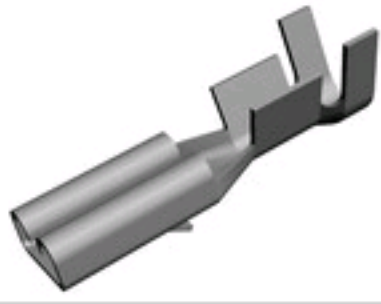


160668-6 Product Details

[Share](#) | [Print](#) | [Email](#)


FASTON Uninsulated Receptacles & Housings

TERMINAL

160668-6

TE Internal Number: 160668-6

[Pricing & Availability](#)
[Request Sample](#)
[Add to My Part List](#)
[Buy Product through Distributor](#)
[Feedback](#)

Active

[View 3D PDF](#)

Product Highlights [View All](#)

- Terminal
- Terminal Type = Receptacle
- Mating Area Interface Dimensions = 2.79 mm
- Board Mount = No
- Receptacle Style = Straight

[Documents](#) | [Features](#) | [Compliance](#)

Please Note:
Use the Product Drawing for all design activity

Product Type Features

Product Type	Terminal
Receptacle Style [?]	Straight
Insulation Support [?]	Insulation Support
Wire/Cable Type [?]	Stranded
Finish [?]	Tin

Mechanical Attachment

Board Mount [?]	No
--------------------------	----

Dimensions

Mating Area Interface Dimensions (mm [in]) [?]	2.79 [.110]
---	-------------

Body Features

Weld Tab [?]	Without
Wire Range (mm [AWG]) [?]	0.50-1.50 ² [20-15]
Material [?]	Brass

Contact Features

Terminal Type [?]	Receptacle
----------------------------	------------

Industry Standards

RoHS/ELV Compliance [?]	RoHS compliant, ELV compliant
Lead Free Solder Processes [?]	Not relevant for lead free process
RoHS/ELV Compliance History	Always was RoHS compliant
UL Rating	Listed
CSA Certified	Yes

Conditions for Usage

For Hermetic Header Tab [?]	No
--------------------------------------	----

Packaging Features

Packaging Method [?]	Box
Packaging Quantity	500

Other

Line [?]	FASTON .110
Brand	TE Connectivity

Related Products

Not quite the product you're looking for?
[Find Similar Products](#)

[View Part in Product Feature Selector](#)

[Check for Tooling](#)

Corporate Information

- [About TE](#)
- [Investors](#)
- [News Room](#)
- [Supplier Portal](#)
- [Careers](#)
- [Terms & Conditions](#)
- [Privacy Policy](#)
- [Global Accessibility Statement](#)

Quick Links

- [Distributor Inventory](#)
- [Product Cross Reference](#)
- [Documents & Drawings](#)
- [Product Compliance Support Center](#)
- [Site Map](#)

Customer Support

- [Email or Chat With Us](#)
- [Find a Phone Number](#)
- [Knowledge Base](#)
- [Manage Your Account](#)

Keep Me Informed

