

## General Specifications

### Motor Protection:

Auto Restart/Polarity Protection

### Insulation Resistance:

10M Ω or over with a DC500V Megger

### Dielectric Withstand Voltage: AC 700V 1s

### Allowable Ambient Temperature Range:

-10°C ~ +70°C (Operating)

-40°C ~ +70°C (Storage)

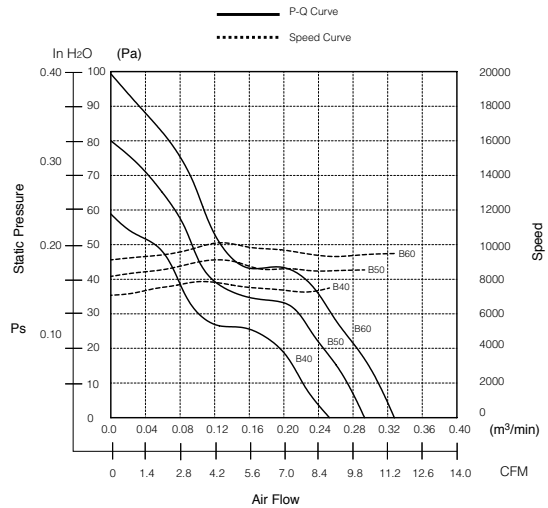
(non-condensing environment)

## Expected Life

### Failure Rate: 10%

25°C 50,000 Hours (B00)

## Characteristic Curves



## Material

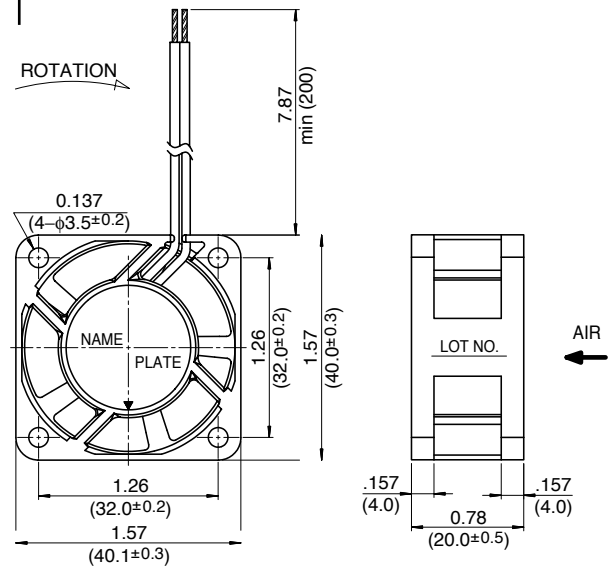
Casing : Plastic (Black) 94V-0

Impeller : Plastic (Black) 94V-0

Bearing : Ball Bearing

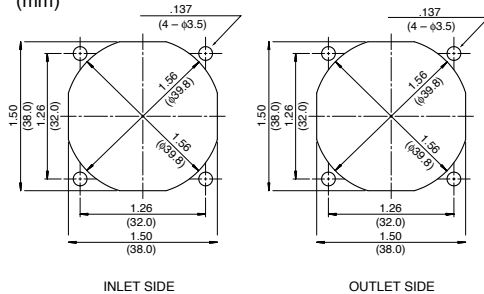
Lead Wire : UL1007, AWG26, +Red, -Black

## Outline



## Panel Cut-Outs

Units:  $\frac{\text{inch}}{\text{mm}}$



## Specifications

MODEL	Product No.	Rated Voltage	Operating Voltage	Current	Input Power	Speed	Max. Air Flow		Max. Static Pressure		Noise	Mass
		(V)	(V)	(A) <sup>*1</sup>	(W) <sup>*1</sup>	(min <sup>-1</sup> ) <sup>*1</sup>	CFM <sup>*1</sup>	(m <sup>3</sup> /min) <sup>*1</sup>	in H <sub>2</sub> O	(Pa) <sup>*1</sup>	(dB) <sup>*1</sup>	(g)
1608VL-04W-B40-	BXX	12	7.0 ~ 13.2	0.08	1.02	7500	8.8	0.25	.24	58.8	29.0	40
1608VL-04W-B50-	BXX	12	7.0 ~ 13.2	0.11	1.32	8500	10.2	0.29	.31	76.6	31.4	40
1608VL-04W-B60-	BXX	12	7.0 ~ 13.2	0.13	1.56	9500	11.3	0.32	.40	99.3	34.6	40
1608VL-05W-B40-	BXX	24	14.0 ~ 26.4	0.05	1.20	7500	8.8	0.25	.24	58.8	29.0	40
1608VL-05W-B50-	BXX	24	14.0 ~ 26.4	0.07	1.68	8500	10.2	0.29	.31	76.6	31.4	40
1608VL-05W-B60-	BXX	24	14.0 ~ 26.4	0.10	2.40	9500	11.3	0.32	.40	99.3	34.6	40

Rotation: Clockwise

Airflow Outlet: Air Out Over Struts

\*1: Average Values in Free Air

# Mouser Electronics

Authorized Distributor

Click to View Pricing, Inventory, Delivery & Lifecycle Information:

## [NMB Technologies:](#)

<u><a href="#">1608VL-05W-B69-B00</a></u>	<u><a href="#">1608VL-04W-B59-B50</a></u>	<u><a href="#">1608VL-05W-B60-B00</a></u>	<u><a href="#">1608VL-04W-B60-B00</a></u>	<u><a href="#">1608VL-04W-B69-B00</a></u>
<u><a href="#">1608VL-05W-B40-B00</a></u>	<u><a href="#">1608VL-04W-B59-B00</a></u>	<u><a href="#">1608VL-05W-B59-B00</a></u>	<u><a href="#">1608VL-04W-B49-B00</a></u>	<u><a href="#">1608VL-05W-B50-B00</a></u>
<u><a href="#">1608VL-04W-B50-B00</a></u>	<u><a href="#">1608VL-05W-B49-B50</a></u>	<u><a href="#">1608VL-05W-B49-B00</a></u>	<u><a href="#">1608VL-04W-B49-B50</a></u>	<u><a href="#">1608VL-04W-B69-B50</a></u>
<u><a href="#">1608VL-05W-B59-B50</a></u>	<u><a href="#">1608VL-05W-B69-B50</a></u>	<u><a href="#">1608VL-04W-B40-B00</a></u>		