

4

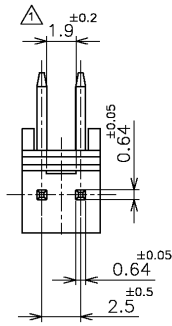
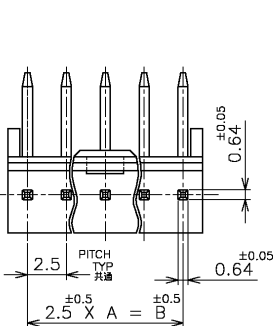
3

2

1

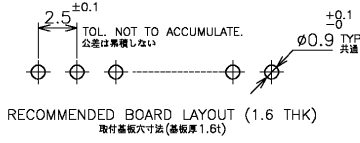
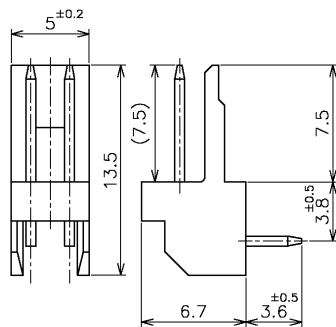
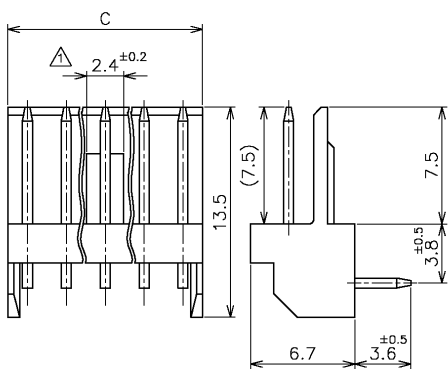
THIS DRAWING IS UNPUBLISHED. RELEASED FOR PUBLICATION MAY, 1977.
 © COPYRIGHT 1977 BY TYCO ELECTRONICS CORPORATION. ALL RIGHTS RESERVED.

LOC	DIST	REVISIONS					
J	-	P	LTR	DESCRIPTION	DATE	DWN	APVD
		R		REVISED FJBO-0973-03	31MAR03	H.T	I.E



△ LOCKING HOLE IS PLACED ON THE CENTER OF POST HEADER.

△ ロッキング凹部位置は長手方向の中央。



RECOMMENDED BOARD LAYOUT (1.6 THK)
 取付基板寸法 (基板厚 1.6t)

3~12 POS
極

2 POS
極

30.0	27.5	11	12	9-171826-2	7-171826-2	5-171826-2	3-171826-2	1-171826-2	
25.0	22.5	9	10	9- -0	7- -0	5- -0	3- -0	1- -0	
22.5	20.0	8	9	8- -9	6- -9	4- -9	2- -9	-9	
20.0	17.5	7	8	8- -8	6- -8	4- -8	2- -8	-8	
17.5	15.0	6	7	8- -7	6- -7	4- -7	2- -7	-7	
15.0	12.5	5	6	8- -6	6- -6	4- -6	2- -6	-6	
12.5	10.0	4	5	8- -5	6- -5	4- -5	2- -5	-5	
10.0	7.5	3	4	8- -4	6- -4	4- -4	2- -4	-4	
7.5	5.0	2	3	8- -3	6- -3	4- -3	2- -3	-3	
表示				2	8-171826-2	6-171826-2	4-171826-2	2-171826-2	171826-2
±0.2	±0.5	A	NO OF POS	RED	GREEN	BLUE	BLACK	NATURAL	
C	B		極数	赤色	緑色	青色	黒色	自然色	

THIS DRAWING IS A CONTROLLED DOCUMENT.

DWN T.DOI 14MAY77	Tyco Electronics AMP K.K. Kawasaki, Japan
CHK H.TAGUCHI 14MAY77	
APVD H.TAGUCHI 14MAY77	NAME 名称
PRODUCT SPEC 製品規格	POST HEADER ASSY (HORIZONTAL) AMP EI SERIES CONNECTOR
APPLICATION SPEC 取付適用規格	SIZE A3
MATERIAL HSG : 66NYLON UL94V-0 POST: BRASS	FINISH 仕上 POST: TIN-PLATE
WEIGHT	DRAWING NO 171826
CUSTOMER DRAWING	RESTRICTED TO

SCALE 4:1 SHEET 1 OF 1 REV R