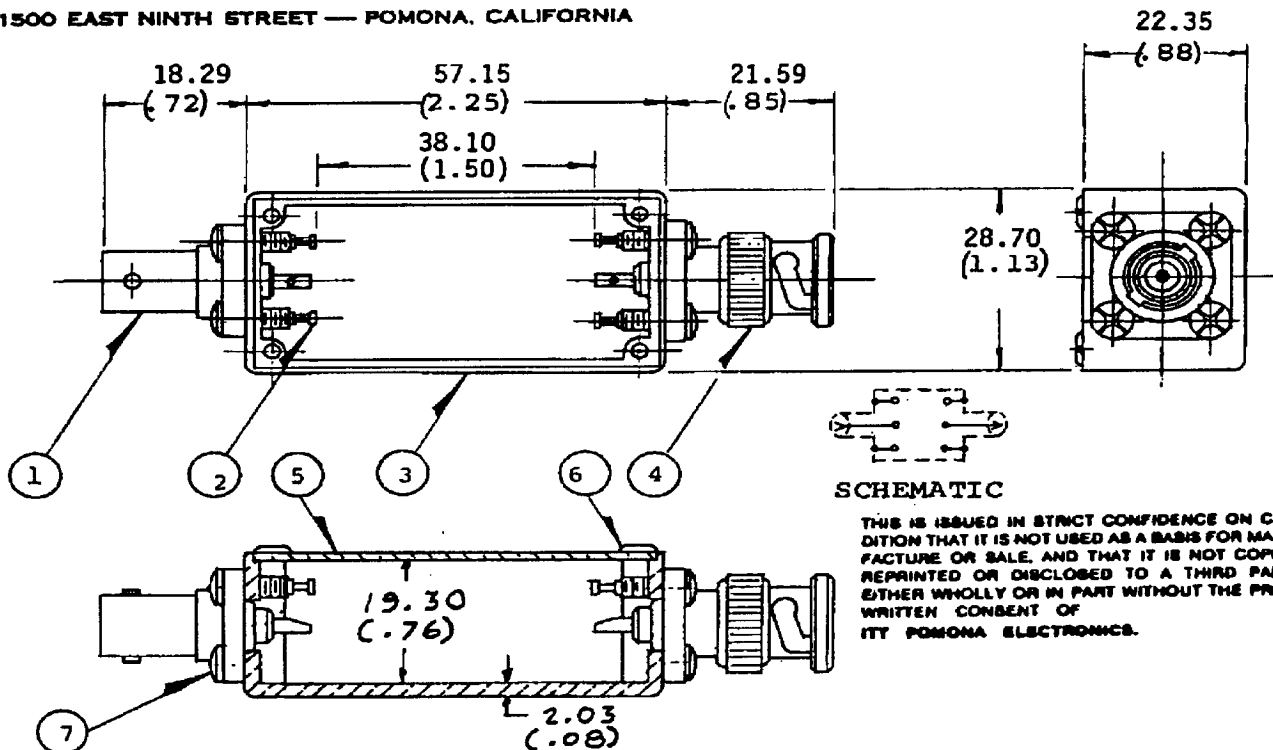


POMONA *Electronics* ITT

1500 EAST NINTH STREET — POMONA, CALIFORNIA



SCHEMATIC

THIS IS ISSUED IN STRICT CONFIDENCE ON CONDITION THAT IT IS NOT USED AS A BASIS FOR MANUFACTURE OR SALE, AND THAT IT IS NOT COPIED, REPRINTED OR DISCLOSED TO A THIRD PARTY EITHER WHOLLY OR IN PART WITHOUT THE PRIOR WRITTEN CONSENT OF ITT POMONA ELECTRONICS.

- ① CONNECTOR: BNC Female
Finish: Body and Fittings - Tarnish resistant. Nominal Impedance: 50 Ohms.
Center Contact - Gold plated
- ② SOLDER TURRET TERMINALS: 4 each 4-40. Material: Steel.
- ③ SHIELDED HOUSING: Material: Die cast aluminum alloy A380 and A384.
Finish: Blue paint per Federal Standard 595. Color No. 25109.
- ④ CONNECTOR: BNC Male
Finish: Body and Fittings - Tarnish resistant. Nominal Impedance: 50 Ohms.
Center Contact - Gold plated
- ⑤ COVER: Material: 1.02 (.040) thick aluminum alloy 1100-H14
Finish: Clear anodized
- ⑥ SCREWS: 4 each 2-32 X 6.35 Pan Hd., self-tapping. Material: Steel.
Finish: Blue Zinc plated.
- ⑦ SCREWS: 4 each 4-40 X (3/16"). Material: Steel. Finish: Blue Zinc plated.
8. RATING:
Operating Temp.: -55° C. to +150° C. (-67° F. to +302° F.).

Specifications are subject to change without notice.

All specifications are to latest revision, unless otherwise noted

All dimensions are shown in millimeters (inches).

SHIELDED HOUSING BNC (F) TO BNC (M)

MODEL NO.

2391

3 SEP 96/I