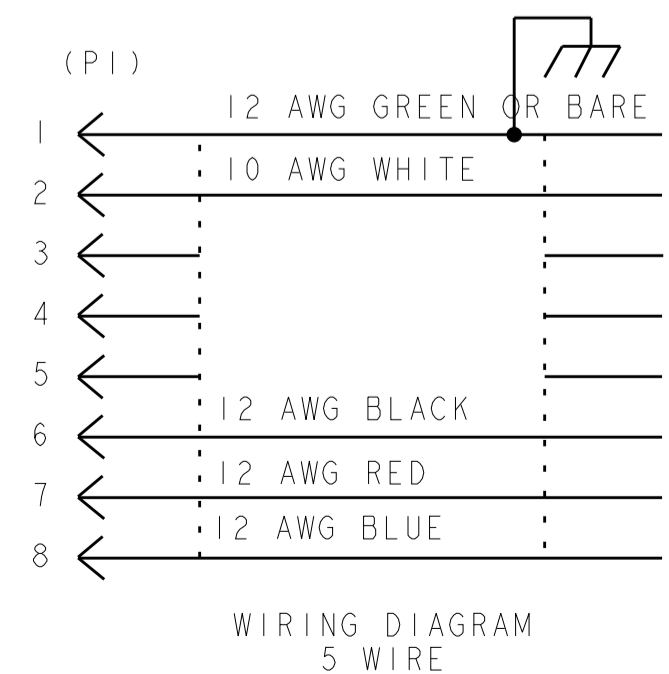
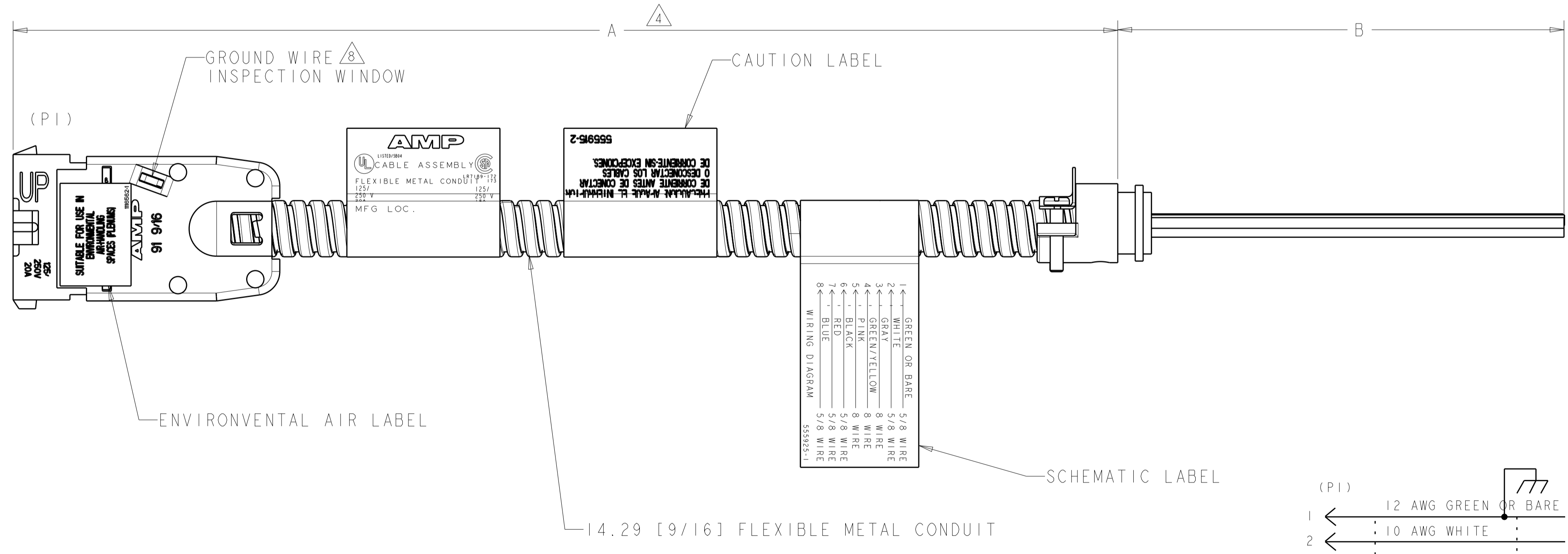
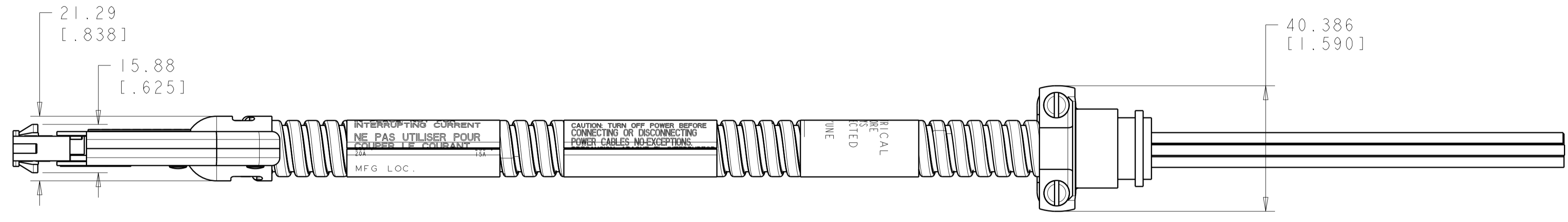
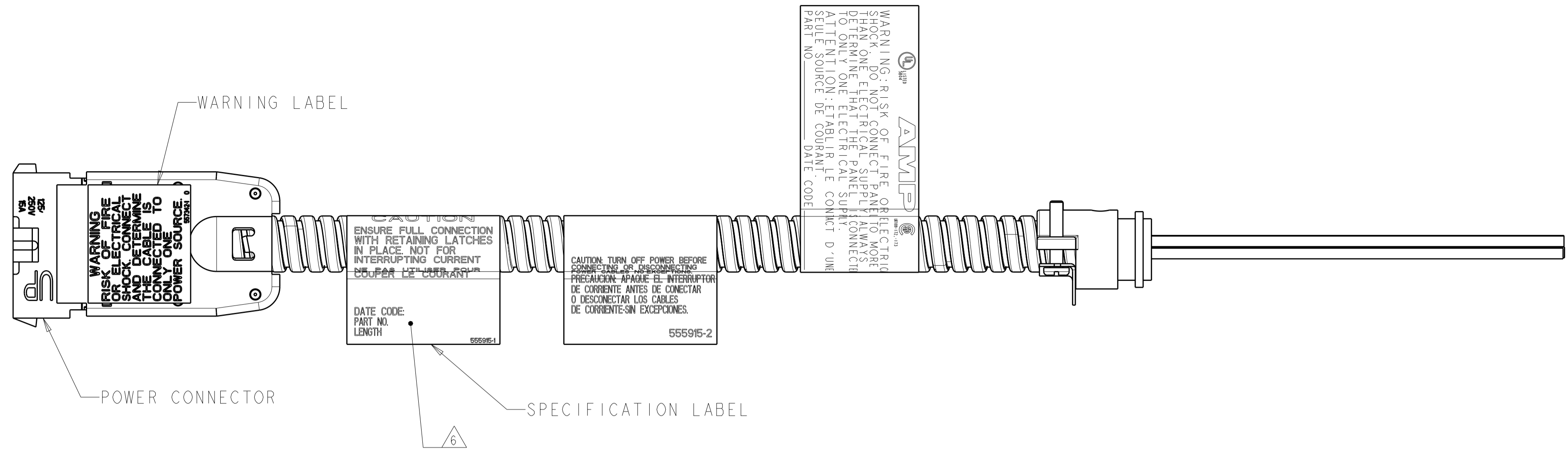


LOC	DIST	REVISIONS					
		P	LTN	DESCRIPTION	DATE	DWN	APVD
HM	00	U		REV ECO-12-020241	26NOV2012	JM	MS



- ⚠ ALL DIMENSIONS SHOWN ARE MAXIMUM UNLESS OTHERWISE SPECIFIED.
- 2. CABLE ASSEMBLY SHALL BE WIRED PER WIRING DIAGRAM.
- ⚠ MATERIAL:
CONNECTOR HOUSINGS- POLYCARBONATE, UL 94V-0 RATED, WHITE.
STRAIN RELIEFS- CARBON STEEL WITH NICKEL PLATING 5.08µm [0.000200] MINIMUM THICK.
CONTACTS- COPPER ALLOY WITH SILVER PLATED STRIP 3.81µm [0.000150] MINIMUM THICK.
- ⚠ DIMENSION A SHALL BE MEASURED WITH CONDUIT IN THE RELAXED POSITION.
- ⚠ DESIGNATIONS IN PARENTHESSES () ARE FOR REFERENCE ONLY.
- ⚠ MANUFACTURING LOCATION, DATE CODE, PART NUMBER AND LENGTH SHALL BE INK STAMPED WHERE INDICATED.
- 7. APPLICATION: AMPINNERGY - MODULAR POWER DISTRIBUTION SYSTEM, A MANUFACTURED WIRING SYSTEM.
- ⚠ USE GROUND WIRE INSPECTION WINDOW TO VERIFY BONDING AND GROUNDING CONDUCTOR.

.305 [1.00]	PART NO.	
	A DIM M [FEET]	B DIM M [FEET]
	1-555858-1	15.24 [50.00]
	2-555858-7	12.19 [40.00]
	2-555858-4	9.14 [30.00]
	1-555858-0	7.62 [25.00]
	1-555858-3	6.10 [20.00]
	1-555858-5	4.57 [15.00]
	555858-9	3.05 [10.00]
	2-555858-6	1.52 [5.00]
	555858-3	1.22 [4.00]
	555858-2	0.91 [3.00]
	555858-1	0.61 [2.00]

THIS DRAWING IS A CONTROLLED DOCUMENT. DIMENSIONS: mm [INCHES]. TOLERANCES UNLESS OTHERWISE SPECIFIED: 0 PLC ±, 1 PLC ±, 2 PLC ±, 3 PLC ±, 4 PLC ±, ANGLES ±. MATERIAL: FINISH: CUSTOMER DRAWING. DWN: J MCNEAL 11AUG2005. CHK: F LINCOLN 11AUG2005. APVD: F LINCOLN 11AUG2005. PRODUCT SPEC: APPLICATION SPEC: WEIGHT: A100779C=555858. SIZE: CAGE CODE: DRAWING NO: RESTRICTED TO: SCALE: 1:1 SHEET 1 OF 1 REV U.

TE TE Connectivity
CABLE ASSEMBLY, POWER ENTRY, 5 WIRE

Mouser Electronics

Authorized Distributor

Click to View Pricing, Inventory, Delivery & Lifecycle Information:

[TE Connectivity:](#)

[2-555858-0](#)