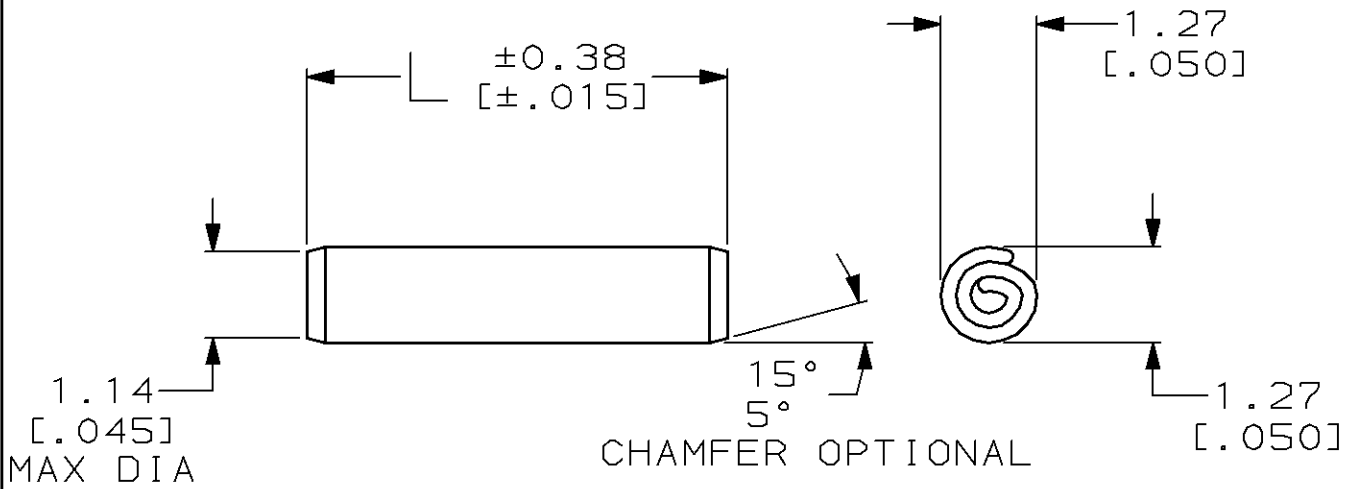


LOC	DIST	REVISIONS					
FT	8	P	LTR	DESCRIPTION	DATE	DWN	APVD
			H	REDRAWN W/O CHANGE PER EC 0020-287-96	03 JUN 96	-	-



3.18 [.125]	201501-3
4.78 [.188]	201501-2
5.56 [.219]	201501-1
L	PART NUMBER

RELEASED FOR PUBLICATION

THIS DRAWING IS UNPUBLISHED.

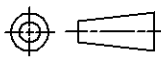
ALL RIGHTS RESERVED.

BY AMP INCORPORATED.

COPYRIGHT 19



DIMENSIONS: mm [INCHES]	DWN C. REIFSNYDER 03 JUN 96	MATERIAL STAINLESS STEEL	FINISH PASSIVATED
	CHK R. STONE 16 JUL 96	AMP Incorporated Harrisburg, PA 17105-3608	
TOLERANCES UNLESS OTHERWISE SPECIFIED:	APVD G. A. STEINHAUER 23 JUL 96	NAME SPIROL PIN, MEDIUM DUTY, M SERIES	
	PRODUCT SPEC -	SIZE A4	CAGE CODE 00779
0 PLC ±-	APPLICATION SPEC -	DRAWING NO C-201501	SCALE 10:1
1 PLC ±-	WEIGHT -	SHEET 1 OF 1	REV H
2 PLC ±0.08 [.003]	CUSTOMER DRAWING		
3 PLC ±-			
4 PLC ±-			
ANGLES ±-			



Mouser Electronics

Authorized Distributor

Click to View Pricing, Inventory, Delivery & Lifecycle Information:

[TE Connectivity:](#)

[201501-1](#)