

## KHL Series Automated 2 Piece Ball Valve



### Specifications

- Ball Valve 316SS body, ball and stem
- Blow out proof stem
- RPTFE Seats
- PTFE seals
- Viton stem O-ring
- NPT threaded end connection

### Temperature Range

- -30° to 400°F max

### Pressure Rating

- 1/4" to 1" 2000 psi (-30° to 100°F)
- 1 1/4" to 2" 1500 psi (-30° to 100°F)
- 0 psi @ 400°F

### Description

The KHL is a full port, 316 stainless steel, NPT threaded end automated ball valve.

It can be equipped with a manual handle or with direct mount pneumatic actuators.

### Features and Benefits

- Compact direct mount assembly / Saves space since there is no bracket
- High CV / Less restriction (low pressure drop)
- No stem packing to adjust / Reduces maintenance

### Models Available

- Spring Return Actuator, normally closed
- Double Acting Actuator

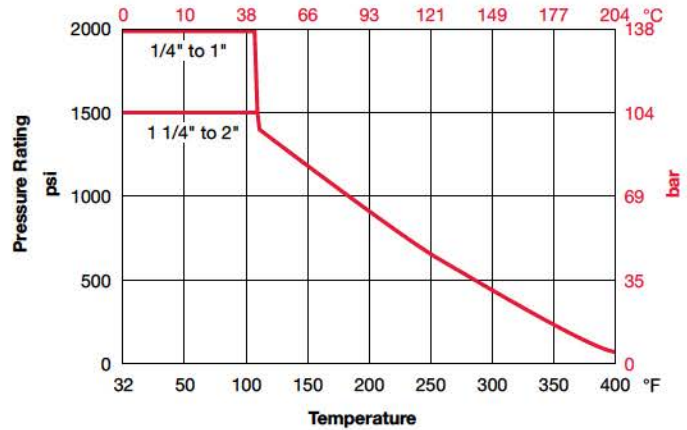
### Actuators

- Compact direct mount
- Anodized aluminum actuator
- NAMUR solenoid mounting adapter
- ISO 5211 mounting standard
- Visual position indicators
- High duty cycle
- Permanent lubrication
- Pneumatic double acting and spring return
- Min. 80 psi, Max. 120 psi air supply required
- Pneumatic solenoid valves sold separately

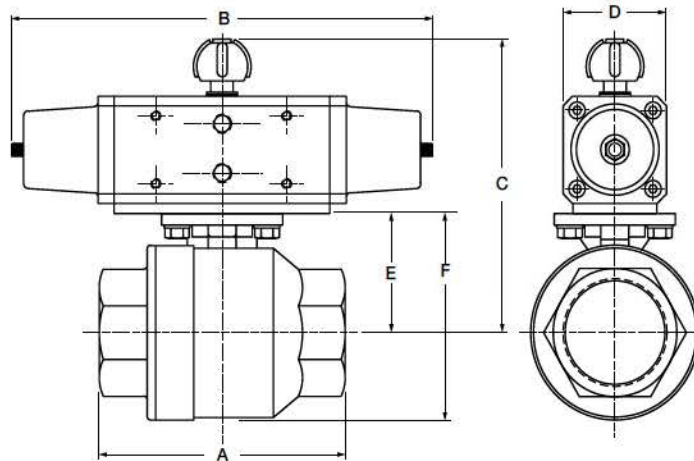
Note: see page 39 - 40 for information on solenoid valves

Contact HYDAC for more information on electric actuators.

### Pressure Vs. Temperature Chart

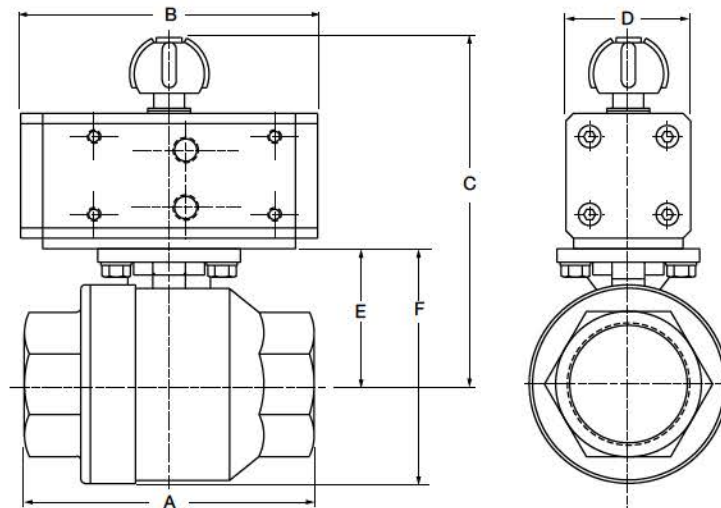


## Dimensions with normally closed spring return pneumatic actuator (NPT threaded end connection, 2 pc. body)



CV	Size NPT	A	B	C	D	E	F	Wgt.	Model Code Part No.
13	1/4"	2.56	8.62	4.85	2.15	1.65	2.28	3.9	KHL-1/4NPT-3333-NC 02083087
13	3/8"	2.56	8.62	4.85	2.15	1.65	2.34	3.9	KHL-3/8NPT-3333-NC 02083090
23	1/2"	2.95	8.62	4.85	2.15	1.65	2.35	3.9	KHL-1/2NPT-3333-NC 02083093
70	3/4"	3.15	9.36	5.36	2.54	1.77	2.71	5.7	KHL-3/4NPT-3333-NC 02083096
116	1"	3.54	11.47	5.99	2.81	2.05	3.05	7.5	KHL-1NPT-3333-NC 02083099
151	1 1/4"	4.33	11.47	6.22	2.81	2.28	3.63	8.6	KHL-1 1/4NPT-3333-NC 02083102
197	1 1/2"	4.72	12.48	7.32	3.12	2.68	4.33	13.0	KHL-1 1/2NPT-3333-NC 02083105
325	2"	5.51	13.92	8.10	3.51	3.07	4.85	18.5	KHL-2NPT-3333-NC 02083108

## Dimensions with double acting pneumatic actuator (NPT threaded end connection, 2 pc. body)



CV	Size NPT	A	B	C	D	E	F	Wgt.	Model Code Part No.
13	1/4"	2.56	5.07	4.85	2.15	1.65	2.28	3.2	KHL-1/4NPT-3333-DA 02083088
13	3/8"	2.56	5.07	4.85	2.15	1.65	2.34	3.2	KHL-3/8NPT-3333-DA 02083091
23	1/2"	2.95	5.07	4.85	2.15	1.65	2.35	3.3	KHL-1/2NPT-3333-DA 02083094
70	3/4"	3.15	5.07	4.97	2.15	1.77	2.71	3.5	KHL-3/4NPT-3333-DA 02083097
116	1"	3.54	5.62	5.48	2.34	2.05	3.05	5.0	KHL-1NPT-3333-DA 02083100
151	1 1/4"	4.33	5.62	5.71	2.34	2.28	3.63	6.1	KHL-1 1/4NPT-3333-DA 02083103
197	1 1/2"	4.72	6.59	6.62	2.81	2.68	4.33	9.4	KHL-1 1/2NPT-3333-DA 02083106
325	2"	5.51	6.59	7.01	2.81	3.07	4.92	12.4	KHL-2NPT-3333-DA 02083109

Note: Actuators are sized for 300 psi ΔP

Dimensions are for general information only, all critical dimensions should be verified by requesting a certified print. Dimensions are in inches and lbs

Model Codes containing selections listed in RED are non-standard items – Minimum quantities will apply – Contact HYDAC for information and availability