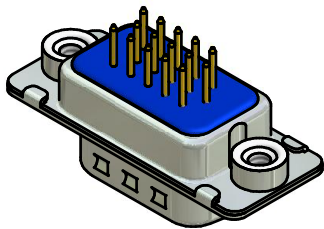
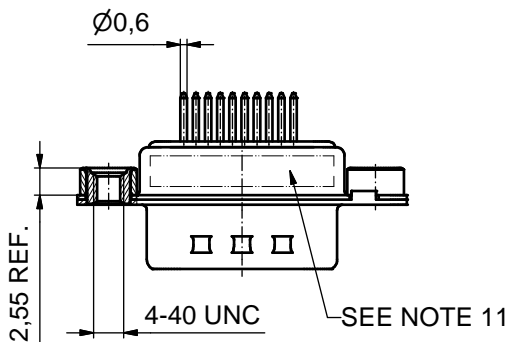
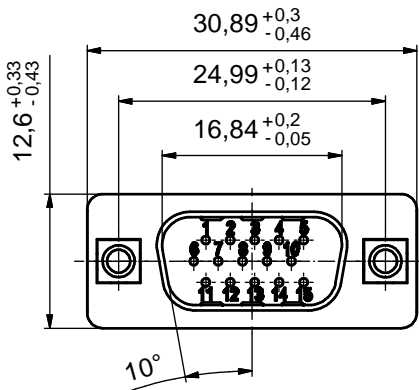


P.C.B. HOLE DRILLINGS



Directive 2002/95/EC  
"RoHS"  
Compliant

APPROVAL # FREIGABE # DEBLOCAGE # AUTORIZACION # APPROVAL

CUSTOMER APPROVAL DATE:

NAME: TITLE:

COMPANY NAME:

APPROVAL # FREIGABE # DEBLOCAGE # AUTORIZACION # APPROVAL

THIS DRAWING MAY NOT BE COPIED OR REPRODUCED IN ANY WAY, AND MAY NOT BE PASSED ON TO A THIRD PARTY WITHOUT WRITTEN PERMISSION. OWNERSHIP AND COPYRIGHT OF CONEC GmbH

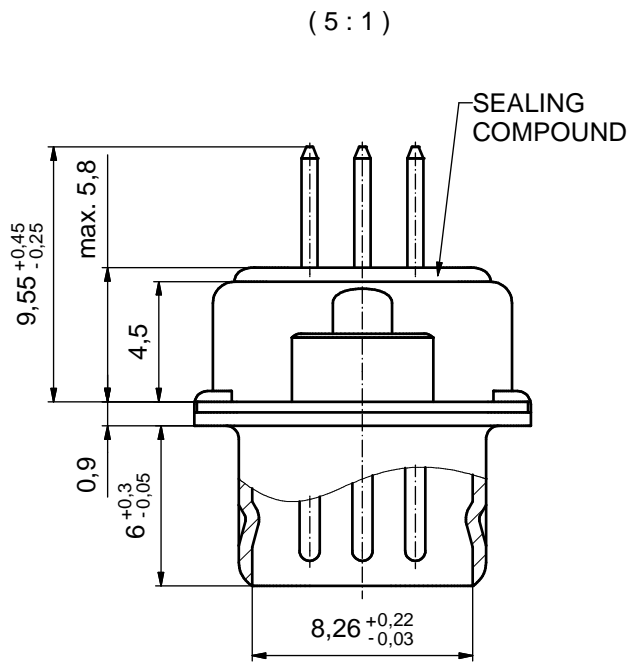
DO NOT ALTER CAD DRAWING BY HAND

rev.	description	date	name
a	Origin		

tolerance		dim. in mm
date	name	
drawn	14.05.2008	Sonnenberg
appd.	14.05.2008	Mickenbecker
norm		
d-old		

**CONEC**

scale:	2:1 (5:1)	
material:	SEE NOTES	
title:	D-SUB HD FILTER MALE 15pos. SOLDER PIN STRAIGHT with threaded insert	
dwg no:	Inventor 10	DIN-A3
	24K1A1091	sh: 1
part no:	241A16460X	



NOTES:

1. RoHS COMPLIANT
2. SUITABLE FOR WAVE SOLDERING
3. METALSHELLS: STEEL; min. 315µm TIN over 40-80µm NICKEL
4. INSULATORS: HIGH TEMPERATURE PLASTIC UL 94 V-0, BLACK
5. CONTACTS: COPPER ALLOY  
PLATING: 8µm HARD GOLD over min. 50µm NICKEL  
CONTACTS TAILS PRETINNED
6. THREADED INSERT: COPPER ALLOY; min. 200µm TIN over 80µm NICKEL
7. COLLAR: COPPER ALLOY; min 200µm TIN over 80µm NICKEL
8. DIELECTRIC WITHSTANDING VOLTAGE: 300 VDC
9. CAPACITANCE: 370pF ± 20%
10. MAXIMUM TORQUE VALUE FOR THREAD: 6 in. LB
11. CONNECTOR IS PART MARKED: 241A16460X CONEC ABC