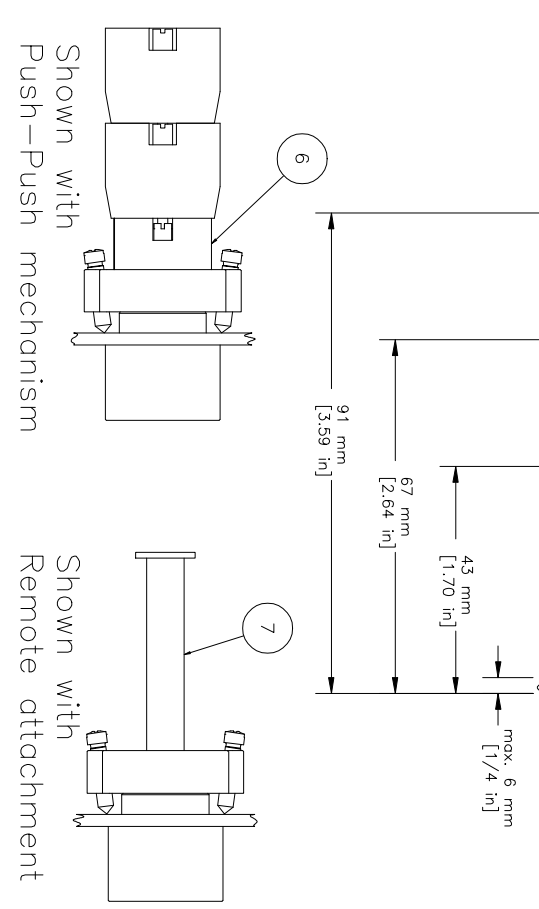
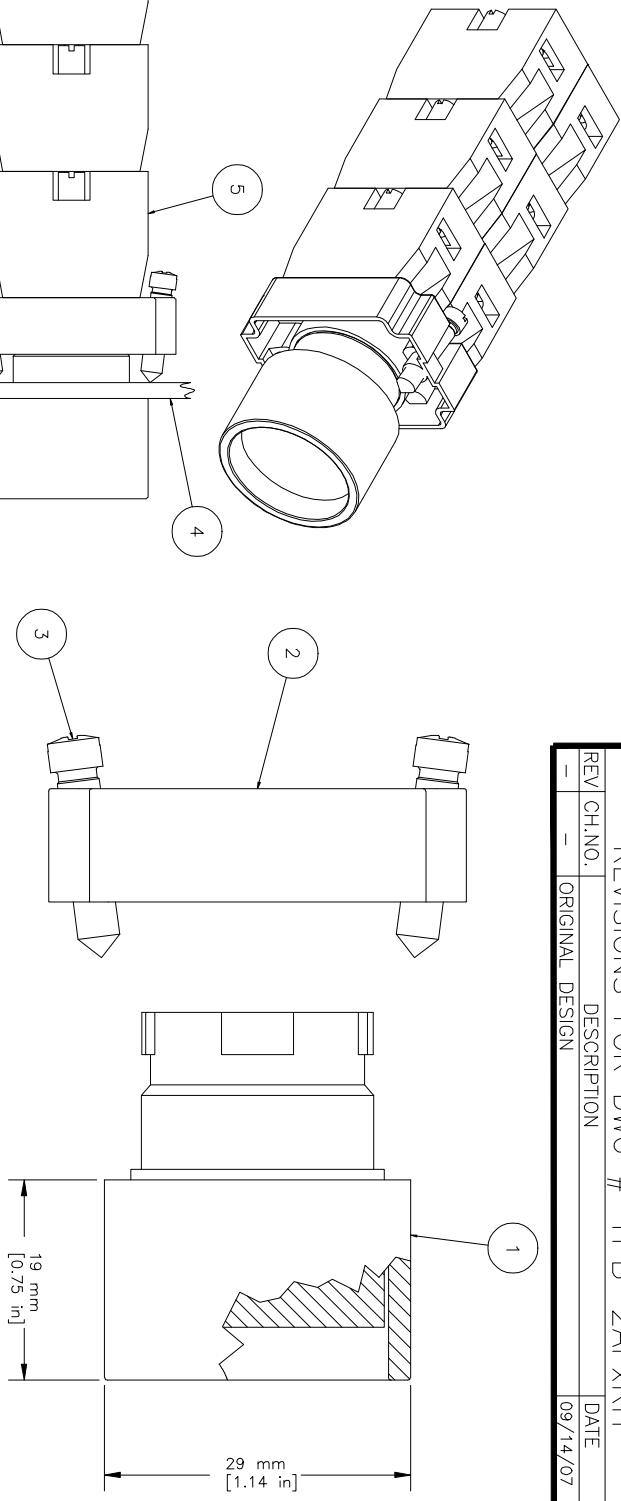


REVISIONS FOR DWG # 1PB-2AFXRH

REV. CH. NO.	DESCRIPTION	DATE	REVISED BY
-	ORIGINAL DESIGN	09/14/07	Phil E.



ITEM	DESCRIPTION	CAT. NO.	COLOR	MIN. QTY.	MAX. QTY.
1	Recessed Operator (comes with mounting bracket 2BRK)	2AF1RH 2AF2RH 2AF3RH 2AF4RH 2AF6RH 2AF8RH	White Black Green Red Blue Yellow	1 1 1 1 1 1	1 1 1 1 1 1
2	Mounting Bracket	2BRK	-	1	1
3	Mounting Bracket Screws	incl. in 2BRK	-	2	2
4	Panel	S1 S2 S3 S4	Green Red Green/Gray Red/Gray	1 1 1 1	6 6 6 6
5	Switch Contacts	2PPM	Black	1	1
6	Maintained Action Block	Add Suffix "RR"	-	1	1
7	Remote Attachment	-	-	1	1

UNLESS OTHERWISE SPECIFIED
 • ALL DIMENSIONS ARE IN MILLIMETERS
 • THIRD ANGLE PROJECTION

TOLERANCE
 XX ±1 mm
 XX.X ±0.5 mm
 XX.XX ±0.2 mm
 ALL - mm

MUR-C

This Drawing is the property of
Attech Corp.
 AND IS A CONFIDENTIAL DISCLOSURE
 LENT WITHOUT CONSIDERATION OTHER
 THAN THE BORROWER'S AGREEMENT
 THAT IT SHALL NOT BE REPRODUCED,
 COPIED, LENT, OR DISPOSED OF
 DIRECTLY OR INDIRECTLY NOR USED
 FOR ANY PURPOSE OTHER THAN THAT
 FOR WHICH IT IS SPECIFICALLY
 FURNISHED.

35 Royal Road
 Flemington NJ 08822-6000
 (908) 806-9400 • Fax (908) 806-9490

TITLE: 22 mm Non-Illuminated Recessed Metal
 Operator 2AFXRH (x=color)

DRAWN BY: Philip Ernstberger	09/14/07	DRAWING NO.:	1PB-2AFXRH	REV.:	-
CHECKED BY: Laszlo Gyorgypal	09/14/07	SCALE:	-	SHEET:	1 OF 1
RELEASED BY: Laszlo Gyorgypal	09/14/07				