

SUB-MINI & MINIATURE PUSHBUTTONS



Fig. 1



Fig. 2



Fig. 3



Fig. 4



Fig. 5



Fig. 6



Fig. 7



Fig. 8



Fig. 9



Fig. 10



Fig. 11



Fig. 12



Fig. 13

Retail Part No.	Bulk Part No.	Fig. No.	Circuit Function	Poles/Throws	Amps 125 VAC	Amps 250 VAC	Bushing Length	Actuator Length	Actuator Color	Actuator Style	Terminal Type	Mounting Hole	Hardware	Spec. Drawing Page No.
35-402	35-402-BU	1	On (Off)	NC SPST	1/4*		0.125	0.175	Black	PI	Sd Lug	0.172	N	289-A
35-3459	35-3459-BU	2	Off (On)	NO SPST	1/4†		0.225	0.240	White	Pin	Sd Eyelet	0.250	N	289-B
35-400	35-400-BU	3	Off (On)	NO SPST	1/2	1/4	0.125	0.175	Black	PI	Sd Lug	0.172	N	289-C
35-401	35-401-BU	4	Off (On)	NO SPST	1		0.276	0.091	Black	RC	Sd Eyelet	0.281	N, KN	289-D
35-407	35-407-BU	5	Off (On)	NO SPST	1	1/2		0.100	White	SqB	QC .187"/Sd	****		289-E
35-410	35-410-BU	4	Off (On)	NO SPST	1		0.276	0.091	Red	RC	Sd Eyelet	0.281	N, KN	289-D
35-415	35-415-BU	5	Off (On)	NO SPST	1	1/2		0.100	Red	SqB	QC .187"/Sd	****		289-E
35-450	35-450-BU	6	On (On)	SPDT	1*		0.250	0.218	White	Pin	Sd Eyelet	0.250	2 N, LW, LR	289-F
35-451	35-451-BU	7	On (On)	DPDT	1*		0.250	0.218	White	Pin	Sd Eyelet	0.250	2 N, LW, LR	289-F
35-404	35-404-BU	8	On (On)	SPDT	3		0.335	0.315	Black	RC	Sd Eyelet	0.250	N, KN, W	289-G
35-405	35-405-BU	9	On (On)	DPDT	3		0.335	0.315	Black	RC	Sd Eyelet	0.250	N, KN, W	289-J
35-406	35-406-BU	10	On (Off)	SPST	3		0.315	0.315	Black	RC	Sd Eyelet	0.315	N, W	289-H
35-408	35-408-BU	10	On (On)	SPDT	3		0.315	0.315	Black	RC	Sd Eyelet	0.315	N, W	289-H
35-409	35-409-BU	10	Off (On)	NO SPST	3		0.315	0.315	Black	RC	Sd Eyelet	0.315	N, W	289-H
35-411	35-411-BU	11	Off (On)	NO SPST	3	1	0.295	0.157	Black	RB	Sd Eyelet	0.400	N, W	289-I
35-412	35-412-BU	12	Off (On)	NO SPST	3	1	0.295	0.157	Black	SqB	Sd Eyelet	0.400	N, W	289-I
35-413	35-413-BU	13	Off (On)	NO SPST	3	1	0.295	0.157	Black	RqB	Sd Eyelet	0.400	N, W	289-I
35-417	35-417-BU	13	Off (On)	NO SPST	3	1	0.295	0.157	Red	RqB	Sd Eyelet	0.400	N, W	289-I
35-425	35-425-BU	9	On (On)	DPDT	3		0.335	0.315	Blue	RC	Sd Eyelet	0.250	N, KN, W	289-J

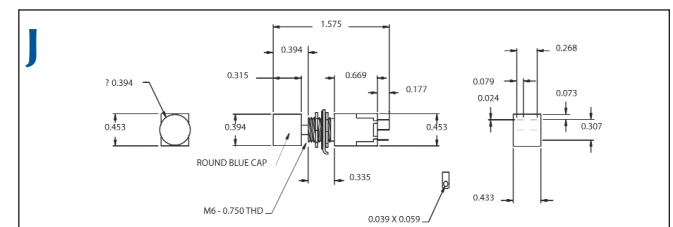
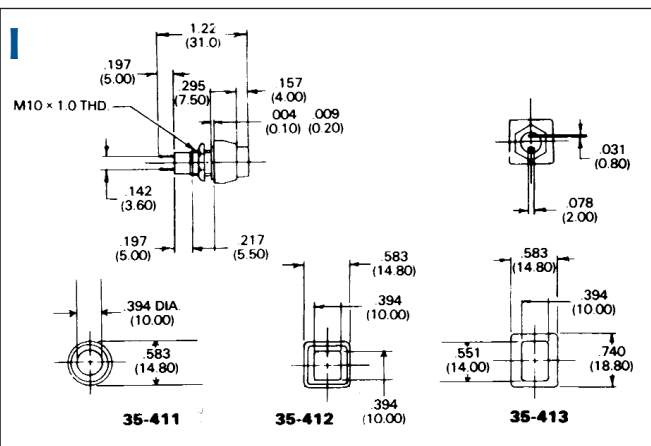
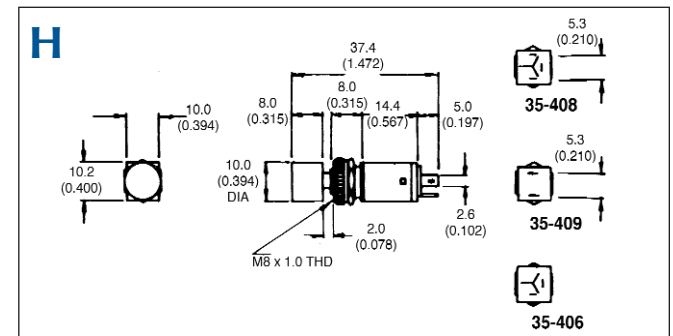
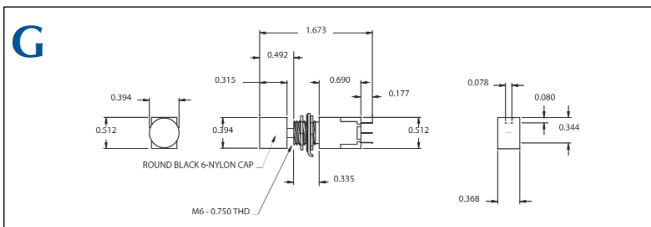
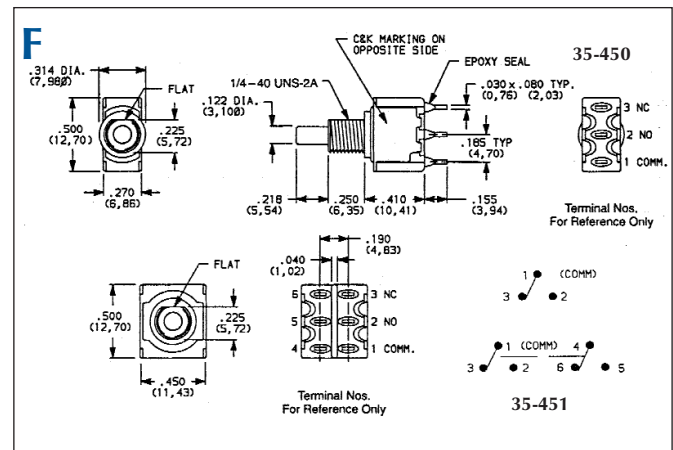
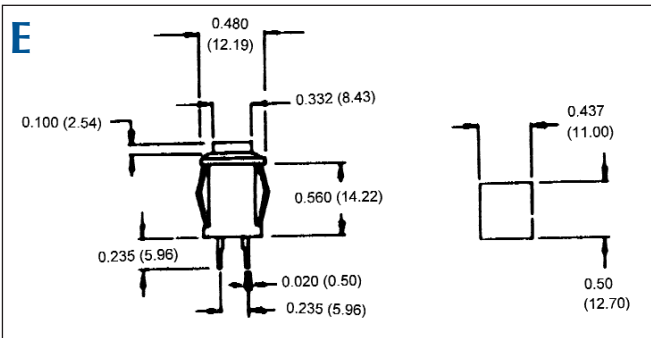
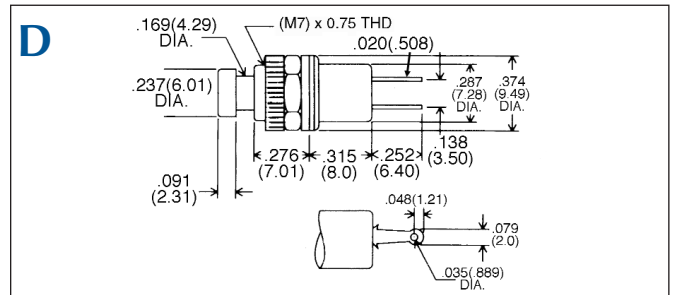
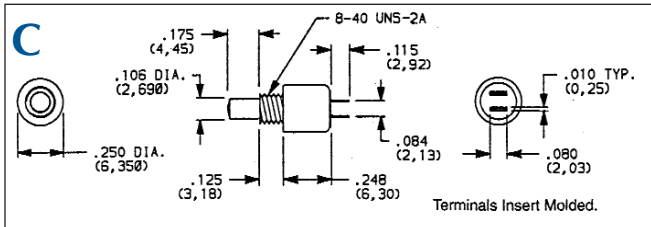
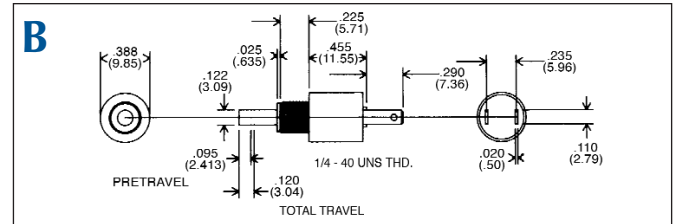
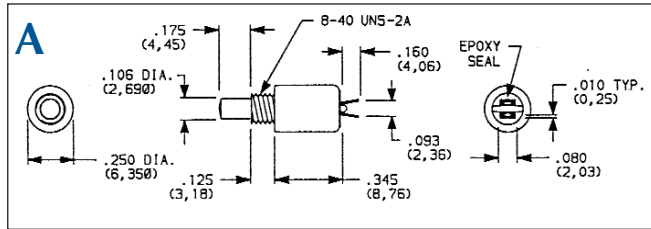
Notes: (On)/(Off)=Momentary On/Off
 *Rated@120VAC/28VDC
 ****0.500 x 0.437
 †=Rated @125VAC/DC

KN=Knurled Nut
 LR=Lock Ring
 LW=Lock Washer
 N=Nut(s)
 NC=Normally Closed
 NO=Normally Open
 N/R=Not Rated

QC=Quick Connect
 RC=Round Cap
 RqB=Rectangle Button

PI=Plunger
 Sd=Solder
 SqB=Square Button
 W=Washer

Note: All figures are for illustration purpose only, and the number/type of terminals may vary.



Switches