

96120-2-4013

**ebm-papst Mulfingen GmbH & Co. KG**

Bachmühle 2

74673 Mulfingen

Phone: +49 7938 81-0

Fax: +49 7938 81-110

[www.ebmpapst.com](http://www.ebmpapst.com)

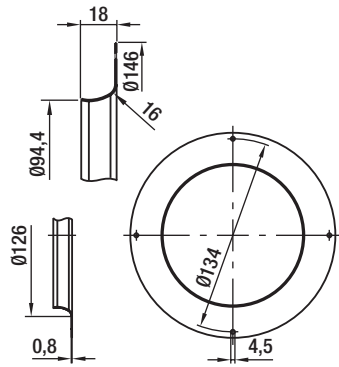
[info1@de.ebmpapst.com](mailto:info1@de.ebmpapst.com)

## Technical features

### Material

Senzimir galvanized sheet steel

Product drawing



# Mouser Electronics

Authorized Distributor

Click to View Pricing, Inventory, Delivery & Lifecycle Information:

[ebm-papst:](#)

[96120-2-4013](#)