

FEATURES

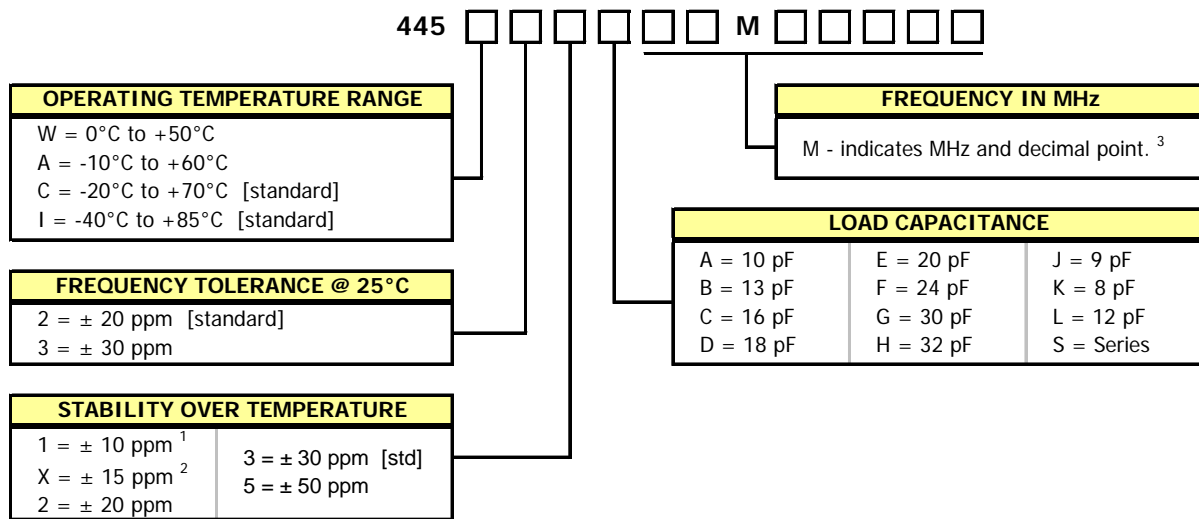
- **Standard 5.0mm x 3.2mm Glass Seal Package**
- **Fundamental Crystal Design**
- Frequency Range 10 – 50 MHz
- Frequency Tolerance, ± 20 ppm Standard [other tolerances available]
- Frequency Stability, ± 30 ppm Standard [other stabilities available]
- Operating Temperature to -40°C to $+85^{\circ}\text{C}$
- Tape & Reel Packaging Standard, EIA-481
- **RoHS Compliant in Accordance with EU Directive 2011/65/EU**
 - Lead-Free Termination Finish
 - Exemption 7(c)-1, Electrical and electronic components containing lead [Pb] in glass



APPLICATIONS

Model 445 is a low cost device used in a wide range of commercial applications including notebooks, computer peripherals, audio visual, Bluetooth and USB interfaces, PDAs, and automotive electronics.

ORDERING INFORMATION

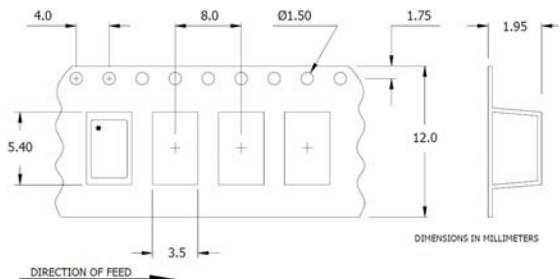


1) Only available with temperature range codes "W" and "A".
 2) Only available with temperature range codes "W", "A" and "C".
 3) Frequency is recorded with two leading digits before the 'M' and 5 significant digits after the 'M' (including zeros).

**Not all performance combinations and frequencies may be available.
 Contact your local CTS Representative or CTS Customer Service for availability.**

PACKAGING INFORMATION [Reference]

Factory may package reels in quantities of 1k pcs. or 3k pcs. Reel size is 180mm.

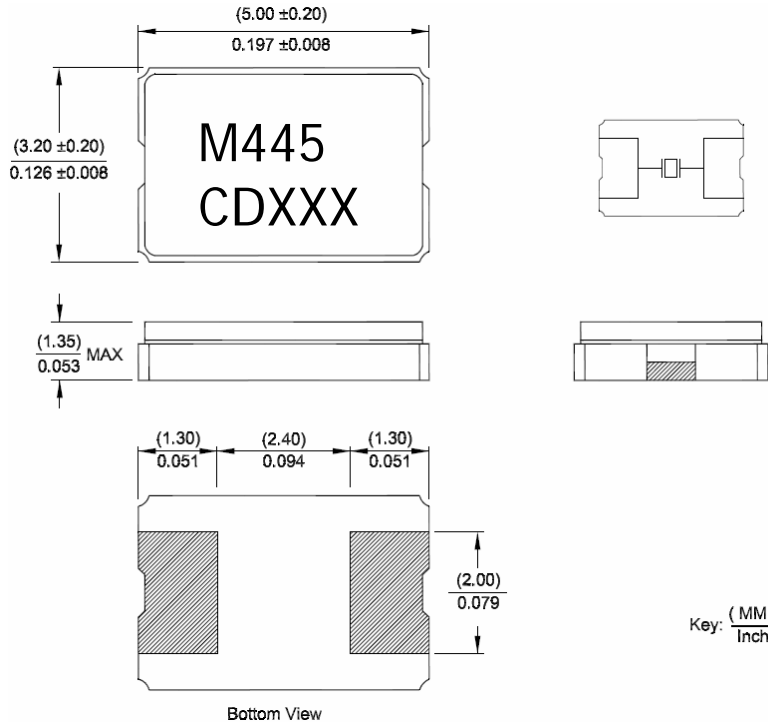


ELECTRICAL CHARACTERISTICS

PARAMETER		VALUE		
ELECTRICAL PARAMETERS	Frequency Range	10 MHz to 50 MHz		
	Operating Mode	Fundamental		
	Crystal Cut	AT-Cut		
	Frequency Tolerance @ +25°C	±20 ppm, ±30 ppm		
	Frequency Stability Tolerance (Operating Temperature Range, Referenced to 25°C Reading)	±10 ppm, ±15 ppm, ±20 ppm, ±30 ppm, ±50 ppm		
	Operating Temperature Ranges	0°C to +50°C	-10°C to +60°C	
		-20°C to +70°C	-40°C to +85°C	
	Equivalent Series Resistance [Maximum]	10 MHz - < 12 MHz	100 Ohms	
		12 MHz - < 16 MHz	50 Ohms	
		16 MHz - < 30 MHz	40 Ohms	
		30 MHz - < 50 MHz	30 Ohms	
	Load Capacitance or Resonance Mode	See Ordering Information		
	Shunt Capacitance (C ₀)	5.0 pF Typical, 7.0 pF Maximum		
Drive Level	10 µW Min., 100 µW Typ., 300 µW Max.			
Aging @ +25°C	±3 ppm/yr Typical			
Storage Temperature Range	-40°C to +85°C			

MECHANICAL SPECIFICATIONS

PACKAGE DRAWING



MARKING INFORMATION

1. M445 - CTS Model Series.
 2. C - CTS.
 3. D - Date code. See Table I for codes.
 4. XXX - Frequency code.
- Reference CTS document 016-1454-01.

NOTES

1. Complete CTS part number, frequency value, date code and manufacturing site code information must appear on reel and carton labels.
2. Termination pads (e4); barrier plating is nickel [Ni] with gold [Au] flash plate.
3. Reflow conditions per JEDEC J-STD-020; 260°C maximum, 10 seconds.
4. MSL - 1.

SUGGESTED SOLDER PAD GEOMETRY

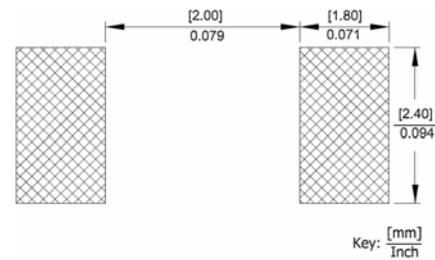


TABLE I - DATE CODE

YEAR		MONTH				JAN	FEB	MAR	APR	MAY	JUN	JUL	AUG	SEP	OCT	NOV	DEC
		2001	2005	2009	2013	2017	A	B	C	D	E	F	G	H	J	K	L
2002	2006	2010	2014	2018	N	P	Q	R	S	T	U	V	W	X	Y	Z	
2003	2007	2011	2015	2019	a	b	c	d	e	f	g	h	j	k	l	m	
2004	2008	2012	2016	2020	n	p	q	r	s	t	u	v	w	x	y	z	

Mouser Electronics

Authorized Distributor

Click to View Pricing, Inventory, Delivery & Lifecycle Information:

CTS:

445A22A12M00000	445A22A14M31818	445A22A20M00000	445A22A22M00000	445A22A24M00000
445A22A24M57600	445A22A25M00000	445A22A27M00000	445A22A30M00000	445A22C12M00000
445A22C14M31818	445A22C20M00000	445A22C24M00000	445A22C24M57600	445A22C27M00000
445A22C30M00000	445A22D12M00000	445A22D14M31818	445A22D20M00000	445A22D24M00000
445A22D24M57600	445A22D25M00000	445A22D27M00000	445A22D30M00000	445A22E12M00000
445A22E14M31818	445A22E20M00000	445A22E24M00000	445A22E24M57600	445A22E25M00000
445A22E27M00000	445A22E30M00000	445A22K12M00000	445A22K14M31818	445A22K20M00000
445A22K24M00000	445A22K24M57600	445A22K25M00000	445A22K27M00000	445A22K30M00000
445A22L12M00000	445A22L14M31818	445A22L20M00000	445A22L24M00000	445A22L24M57600
445A22L25M00000	445A22L27M00000	445A22L30M00000	445A22S12M00000	445A22S14M31818
445A22S20M00000	445A22S24M00000	445A22S24M57600	445A22S25M00000	445A22S27M00000
445A22S30M00000	445A23A12M00000	445A23A14M31818	445A23A20M00000	445A23A23M00000
445A23A24M00000	445A23A24M57600	445A23A25M00000	445A23A27M00000	445A23A30M00000
445A23C12M00000	445A23C14M31818	445A23C20M00000	445A23C24M00000	445A23C24M57600
445A23C27M00000	445A23C30M00000	445A23D12M00000	445A23D14M31818	445A23D20M00000
445A23D24M00000	445A23D24M57600	445A23D25M00000	445A23D27M00000	445A23D30M00000
445A23E12M00000	445A23E14M31818	445A23E20M00000	445A23E24M00000	445A23E24M57600
445A23E25M00000	445A23E27M00000	445A23E30M00000	445A23K12M00000	445A23K14M31818
445A23K20M00000	445A23K24M00000	445A23K24M57600	445A23K25M00000	445A23K27M00000
445A23K30M00000	445A23L12M00000	445A23L14M31818	445A23L20M00000	445A23L24M00000