

45 SERIES

- PRESSFIT NEON, LED & INCANDESCENT INDICATOR LIGHTS
- 5/16" DIA. MOUNTING HOLE
- WHITE NYLON HOUSING • 1/8" OR 3/16" TAB TERMINALS
- 2 TO 250 DESIGN VOLTS • FLUSH OR HI-HAT LENSES • VARIETY OF COLORS
- UL AND CSA RECOGNIZED • UL FILE E20356 • CSA FILE LR15284-17

Overview

The 45 Series Indicators feature a wide variety of lens colors and bezel variations. 45 Series Indicators are designed with 1/8" tab terminals or 3/16" tab terminals. Indicators mount into a 5/16", (7.93mm) mounting hole with a recommended panel thickness of 0.020" minimum. A speed nut, part number **8700071688**, is supplied.

Specifications

Housing: white nylon. A black housing is available.

Lens: polycarbonate.

Bezel: zinc plated brass. A black anodized bezel is available.

Incandescent AC or DC voltage options: 6, 14 and 28 volts.

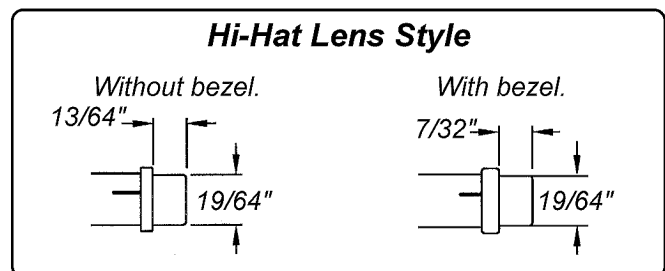
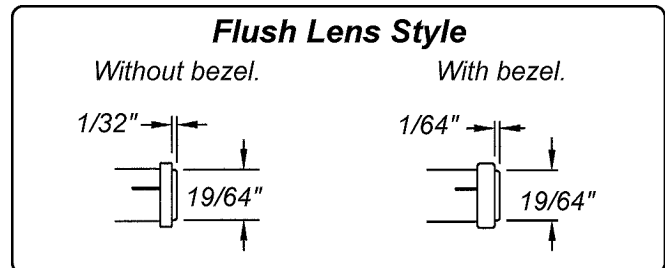
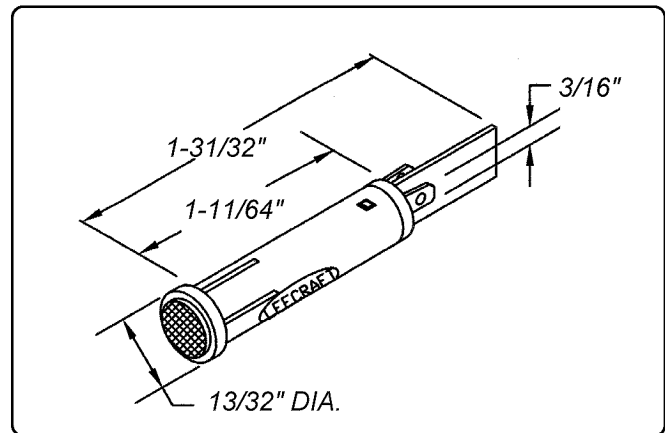
Neon AC or DC voltage options: 125 and 250 volts.
Note: high brightness green and blue neon lamps supplied in green and blue neon applications.

LED DC voltage options: 2, 6, 12, 24.

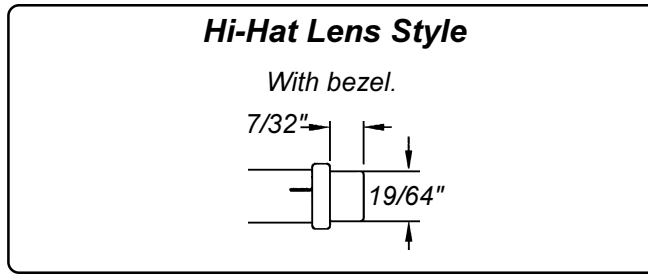
Terminals:

1/8" Tabs: brass, (0.125" width x 0.020" thick).

3/16" Tabs: brass, (0.187" width x 0.020" thick). For LED units, a tin plated terminal denotes the anode (+).



**45 Series
Zinc Plated Bezel
White Housing
6 to 250 Design Volts
Neon or
Incandescent**



**Hi-Hat Lens
Variety of
Lens Colors
1/8" Tab Terminals or
3/16" Tab Terminals
PressFit Mounting**

| Part Number 1/8" Tab Terminals | Part Number 3/16" Tab Terminals | Lens Color | Lamp Type | Design Volts | Design Watts or Amps | Life (hrs) |
|-----------------------------------|------------------------------------|------------|--------------|--------------|-------------------------|------------|
| 45RN-2111 | 45RN-2111T3 | Red | Neon | 125 | 1/3W | 25,000 |
| 45HRN-2111 | 45HRN-2111T3 | Red | Neon | 250 | 1/3W | 25,000 |
| 45RNG1-2111 | 45RNG1-2111T3 | Red | Incandescent | 6 | .20A | 5,000 |
| 45RNG3-2111 | 45RNG3-2111T3 | Red | Incandescent | 14 | .10A | 10,000 |
| 45RNG18-2111 | 45RNG18-2111T3 | Red | Incandescent | 28 | .04A | 7,000 |
| 45RN-2112 | 45RN-2112T3 | Green | Neon | 125 | 1/3W | 25,000 |
| 45HRN-2112 | 45HRN-2112T3 | Green | Neon | 250 | 1/3W | 25,000 |
| 45RNG1-2112 | 45RNG1-2112T3 | Green | Incandescent | 6 | .20A | 5,000 |
| 45RNG3-2112 | 45RNG3-2112T3 | Green | Incandescent | 14 | .10A | 10,000 |
| 45RNG18-2112 | 45RNG18-2112T3 | Green | Incandescent | 28 | .04A | 7,000 |
| 45RN-2113 | 45RN-2113T3 | Amber | Neon | 125 | 1/3W | 25,000 |
| 45HRN-2113 | 45HRN-2113T3 | Amber | Neon | 250 | 1/3W | 25,000 |
| 45RNG1-2113 | 45RNG1-2113T3 | Amber | Incandescent | 6 | .20A | 5,000 |
| 45RNG3-2113 | 45RNG3-2113T3 | Amber | Incandescent | 14 | .10A | 10,000 |
| 45RNG18-2113 | 45RNG18-2113T3 | Amber | Incandescent | 28 | .04A | 7,000 |
| 45RN-2114 | 45RN-2114T3 | Blue | Neon | 125 | 1/3W | 25,000 |
| 45HRN-2114 | 45HRN-2114T3 | Blue | Neon | 250 | 1/3W | 25,000 |
| 45RNG1-2114 | 45RNG1-2114T3 | Blue | Incandescent | 6 | .20A | 5,000 |
| 45RNG3-2114 | 45RNG3-2114T3 | Blue | Incandescent | 14 | .10A | 10,000 |
| 45RNG18-2114 | 45RNG18-2114T3 | Blue | Incandescent | 28 | .04A | 7,000 |
| 45RN-2115 | 45RN-2115T3 | White | Neon | 125 | 1/3W | 25,000 |
| 45HRN-2115 | 45HRN-2115T3 | White | Neon | 250 | 1/3W | 25,000 |
| 45RNG1-2115 | 45RNG1-2115T3 | White | Incandescent | 6 | .20A | 5,000 |
| 45RNG3-2115 | 45RNG3-2115T3 | White | Incandescent | 14 | .10A | 10,000 |
| 45RNG18-2115 | 45RNG18-2115T3 | White | Incandescent | 28 | .04A | 7,000 |
| 45RN-2117 | 45RN-2117T3 | Clear | Neon | 125 | 1/3W | 25,000 |
| 45HRN-2117 | 45HRN-2117T3 | Clear | Neon | 250 | 1/3W | 25,000 |
| 45RNG1-2117 | 45RNG1-2117T3 | Clear | Incandescent | 6 | .20A | 5,000 |
| 45RNG3-2117 | 45RNG3-2117T3 | Clear | Incandescent | 14 | .10A | 10,000 |
| 45RNG18-2117 | 45RNG18-2117T3 | Clear | Incandescent | 28 | .04A | 7,000 |

Indicator Lights