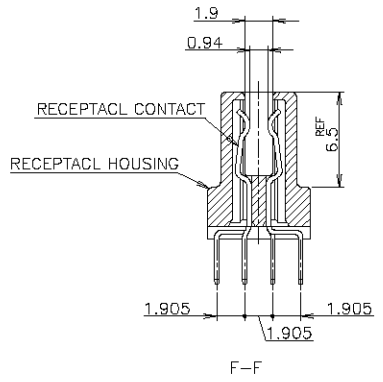
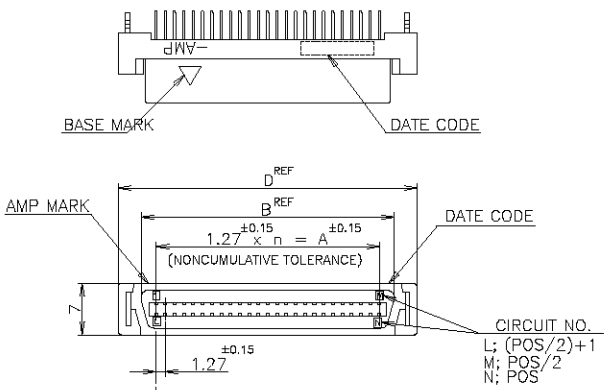
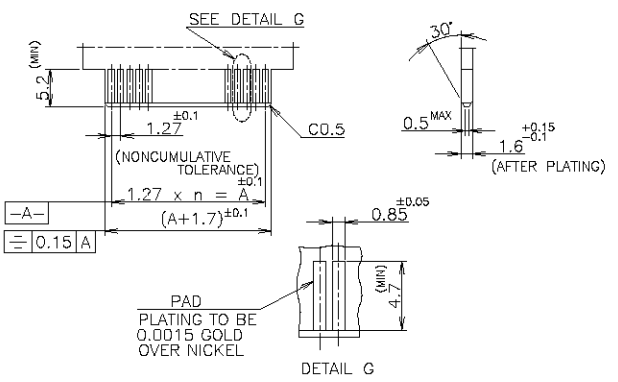
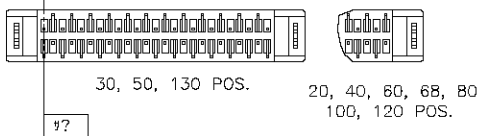
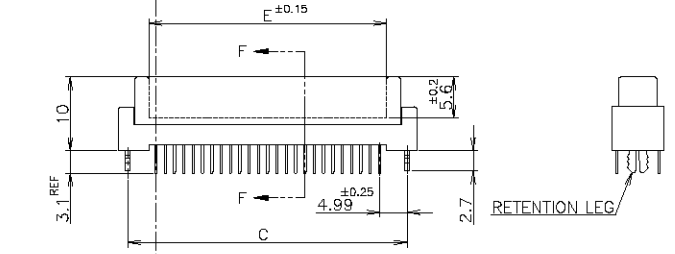


LOC		DIST		REVISIONS			
P	LTR	DESCRIPTION	DATE	DWN	APVD		
0		NEW RELEASE FJBO-0873-04	20AUG2004	J.Z	I.E		

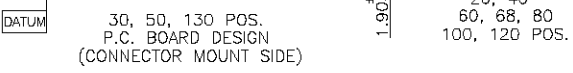


1 NUMBER "n" IS COUNTED FROM DATUM
 (CIRCUIT NO.1 IS "AMP" MARK SIDE.)
 MATERIAL: HOUSING, 66 NYLON (GF) UL 94V-0, BLACK.
 CONTACT, PHOSPHOR BRONZE.
 RETENTION LEG; BRASS.
 FINISH: CONTACT; Au AT CONTACT AREA (SEE TABLE),
 TIN AT TINE, OVER NI.
 RETENTION LEG; TIN UNDER NI.
 P.C. BOARD THK MUST BE 1.6 ±0.1 FOR CARD EDGE CONNECTOR



RECOMMENDED P.C. BOARD DIMENSIONS.

POS.	n	A	B	C	D	E		
6-	-2	130	64	81.28	86.82	91.25	93.90	83.18
6-	-1	120	59	74.93	80.47	84.90	87.55	76.83
6-	-0	100	49	62.23	67.77	72.20	74.85	64.13
5-	-9	80	39	49.53	55.07	59.50	62.15	51.43
5-	-8	68	33	41.91	47.45	51.88	54.53	43.81
5-	-7	60	29	36.83	42.37	46.80	49.45	38.73
5-	-6	50	24	30.48	36.02	40.45	43.10	32.38
5-	-5	40	19	24.13	29.67	34.10	36.75	26.03
5-	-3	30	14	17.78	23.32	27.75	30.40	19.68
5-	-1	20	9	11.43	16.97	21.40	24.05	13.33
4-	-2	130	64	81.28	86.82	91.25	93.90	83.18
4-	-1	120	59	74.93	80.47	84.90	87.55	76.83
4-	-0	100	49	62.23	67.77	72.20	74.85	64.13
3-	-9	80	39	49.53	55.07	59.50	62.15	51.43
3-	-8	68	33	41.91	47.45	51.88	54.53	43.81
3-	-7	60	29	36.83	42.37	46.80	49.45	38.73
3-	-6	50	24	30.48	36.02	40.45	43.10	32.38
3-	-5	40	19	24.13	29.67	34.10	36.75	26.03
3-	-3	30	14	17.78	23.32	27.75	30.40	19.68
3-	-1	20	9	11.43	16.97	21.40	24.05	13.33
1-	-2	130	64	81.28	86.82	91.25	93.90	83.18
1-	-1	120	59	74.93	80.47	84.90	87.55	76.83
1-	-0	100	49	62.23	67.77	72.20	74.85	64.13
	-9	80	39	49.53	55.07	59.50	62.15	51.43
	-8	68	33	41.91	47.45	51.88	54.53	43.81
	-7	60	29	36.83	42.37	46.80	49.45	38.73
	-6	50	24	30.48	36.02	40.45	43.10	32.38
	-5	40	19	24.13	29.67	34.10	36.75	26.03
	-3	30	14	17.78	23.32	27.75	30.40	19.68
5175475-1	0.0002	20	9	11.43	16.97	21.40	24.05	13.33



LEAD FREE

GENERAL TOLERANCE
 10 ≥ : ±0.2
 30 ≥ > 10 : ±0.25
 100 ≥ > 30 : ±0.3
 ANGLES: ±3°

THIS DRAWING IS A CONTROLLED DOCUMENT.

DIMENSIONS: MM

TOLERANCES UNLESS OTHERWISE SPECIFIED

0 PL ±
 1 PL ±
 2 PL ±
 3 PL ±
 4 PL ±
 5 PL ±
 6 PL ±
 7 PL ±
 8 PL ±
 9 PL ±
 10 PL ±

FINISH

MATERIAL

APPROVED: Steven Ygo
 DATE: 20AUG2004

APPROVED: Ikuo Enomoto
 DATE: 20AUG2004

TYCO ELECTRONICS
 Tyco Electronics AMP K.K.
 Kawasaki, Japan

AMP CHAMP .050 CONNECTOR (B-T-B)
 RECEPTACLE CONNECTOR
 (VERTICAL WITH RETENTION LEG)

SIZE: A2
 DATE CODE: 00779
 DRAWING NO: C=5175475

CUSTOMER DRAWING

SCALE: NTS
 SHEET: 1 of 1
 REV: 0