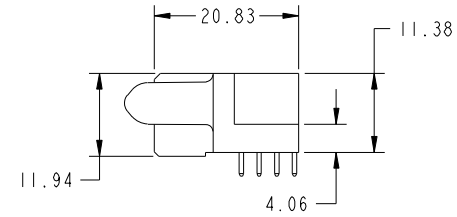
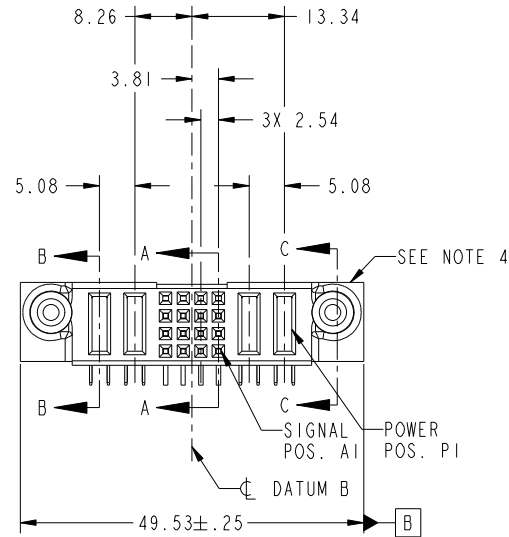


Tous droits strictement reserves. Reproduction ou communication a des tiers interdite sous quelque forme que ce soit sans autorisation écrite du propriétaire. Propriete de c FCI. Droits de reproduction FCI.



All rights strictly reserved. Reproduction or issue to third parties in any form whatever is not permitted without written authority from the proprietor. Property of FCI. Copyright FCI.

PRODUCT NO.	ROWS		POWER		SIGNAL				POWER		
		E2	P4	P3	4	3	2	1	P2	P1	E1
51915-059-- NOTE:3	D C B A		PA	PA	H	H	H	H	PA	PA	
			G	G	G	G	G	F	F	F	F
			E	E	E	E	E	E	E	E	E



CODE	DIM "M" MATING LENGTH	CONTACT TYPE
E	[N/A]	SIGNAL
F	[N/A]	SIGNAL
G	[N/A]	SIGNAL
H	[N/A]	SIGNAL
PA	[1.07]	POWER

mat'l code				SEE NOTE 2		tolerances unless otherwise specified		CUSTOMER		 www.fciconnect.com	
ltr	ecn no.	dr	date	linear	0.X ± 0.5	projection		COPY		title	
A	V04-0877	TAB	09/02/04		0.XX ± 0.25					2P + 16S + 2P R/A SOLDER RECEPTACLE	
B	DG05-0330	CS	09/14/05		0.XXX ± 0.10					product family PwrBlade code 213	
C	DG07-0498	JW	09/15/08	angles	0° + 2°	scale		size		dwg no 51915-059 sheet 1 of 4	
				dr	T. BRUNGARD 09/02/04	1:1		A			
				enr	M. GRAY 09/02/04						
				chr	M. GRAY 09/02/04						
				appd	M. GRAY 09/02/04						
sheet index	revision sheet	C	C	C	C					cage code 22526	
		1	2	3	4						

Pro/E

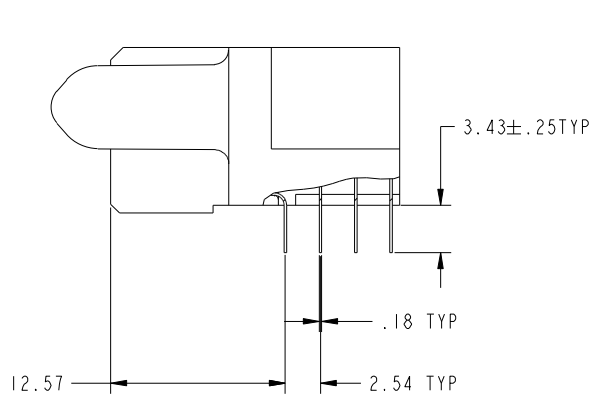
cage code 22526

Tous droits strictement reserves. Reproduction ou communication a des tiers interdite sous quelque forme que ce soit sans autorisation écrite du propriétaire. Propriete de c FCI. Droits de reproduction FCI.

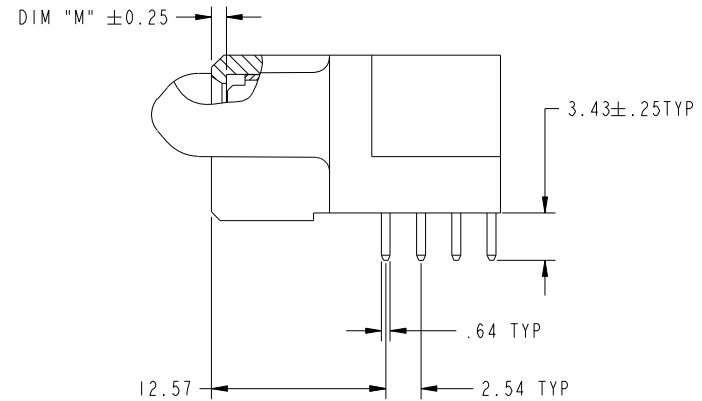


All rights strictly reserved. Reproduction or issue to third parties in any form whatever is not permitted without written authority from the proprietor. Property of FCI. Copyright FCI.

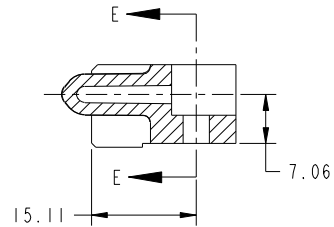
PRODUCT NUMBER
51915-059--
NOTE: 3



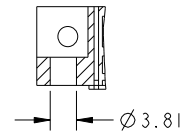
BROKEN-OUT SECTION A-A
SCALE 2:1



BROKEN-OUT SECTION B-B
SCALE 2:1



SECTION C-C



PARTIAL SECTION E-E

mat'l code				SEE NOTE 2		tolerances unless otherwise specified		CUSTOMER		www.fciconnect.com	
ltr	ecn no.	dr	date	linear	0.X ± 0.5		COPY			title	
C					0.XX ± 0.25		MIM			2P + 16S + 2P R/A SOLDER RECEPTACLE	
					0.XXX ± 0.10		1:1			product family PwrBlade code 213	
				angles	0° ± 2°		scale		A	size	
				dr	T. BRUNGARD	09/02/04	1:1			dwg no 51915-059	
				enr	M. GRAY	09/02/04					
				chr	M. GRAY	09/02/04					
				appd	M. GRAY	09/02/04					
sheet index		revision sheet								cage code 22526	

Pro/E

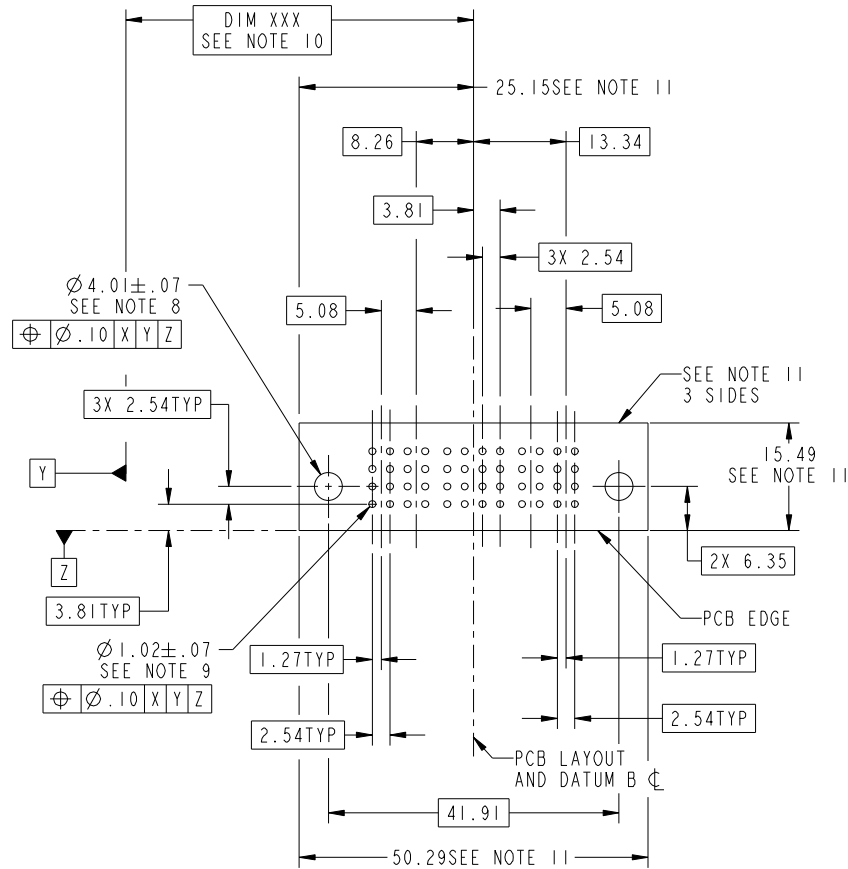
cage code 22526

Tous droits strictement reserves. Reproduction ou communication a des tiers interdite sous quelque forme que ce soit sans autorisation écrite du propriétaire. Propriete de c FCI. Droits de reproduction FCI.



All rights strictly reserved. Reproduction or issue to third parties in any form whatever is not permitted without written authority from the proprietor. Property of FCI. Copyright FCI.

PRODUCT NUMBER
51915-059--
NOTE: 3



mat'l code		SEE NOTE 2		tolerances unless otherwise specified		CUSTOMER		FCI www.fciconnect.com	
ltr	ecn no.	dr	date	linear	0.X ± 0.5	COPY		title	
C					0.XX ± 0.25	projection		2P + 16S + 2P R/A SOLDER RECEPTACLE	
				angles	0.XXX ± 0.10	MIM		product family PwrBlade code	
				dr	0° + 2°	scale		size	
				enr	T. BRUNGARD 09/02/04	1:1		dwg no	
				chr	M. GRAY 09/02/04	A		51915-059	
				appd	M. GRAY 09/02/04			sheet	
sheet index		revision sheet						3	

cage code 22526

Pro/E

Tous droits strictement reserves. Reproduction ou communication a des tiers interdite sous quelque forme que ce soit sans autorisation écrite du propriétaire. Propriete de c FCI. Droits de reproduction FCI.



All rights strictly reserved. Reproduction or issue to third parties in any form whatever is not permitted without written authority from the proprietor. Property of FCI. Copyright FCI.

PRODUCT NUMBER
51915-059_-
NOTE: 3

NOTES:

1. DIMENSIONS AND TOLERANCES ARE IN ACCORDANCE WITH ASME Y14.5M, 1994 UNLESS OTHERWISE SPECIFIED.

CONNECTOR NOTES:

2. HOUSING MATERIAL: UL 94 V-0 GLASS FILLED
HIGH-TEMP THERMOPLASTIC
POWER CONTACT MATERIAL: COPPER ALLOY
SIGNAL PIN MATERIAL: COPPER ALLOY

3. PLATING:
SEE ITEM 5 & 6 IN PRINT 10064183 FOR PLATING SPEC OF 51915-059; 51915-059LF PRESPECTIVELY

4. MANUFACTURER'S NAME, P/N, AND DATE CODE TO APPEAR ON THIS SURFACE.

5. PRODUCT SPECIFICATION GS-12-149.
APPLICATION SPECIFICATION BUS-20-067.

6. PACKAGED IN TRAYS.

PCB NOTES:

7. ALL HOLE DIAMETERS ARE FINISHED HOLE SIZE.

8. MOUNTING HOLES, WHERE APPLICABLE, ARE UNPLATED.

9. $\varnothing 1.151 \pm 0.025$ DRILLED HOLES PLATED WITH
0.008 MIN SnPb OR Sn OVER 0.03
TO 0.08 Cu PLATING TO ACHIEVE
 $\varnothing 1.02 \pm .07$ HOLE.

10. "DIM XXX" TO BE DETERMINED BY THE CUSTOMER.

11. CONNECTOR KEEP-OUT ZONE.

12. A \triangle SYMBOL WILL BE NEXT TO ANY DIMENSION, VIEW, OR NOTE WHICH HAS BEEN MODIFIED WITH THE CURRENT DRAWING REVISION.

mat'l code				SEE NOTE 2		tolerances unless otherwise specified		CUSTOMER		www.fciconnect.com	
ltr	ecr no.	dr	date	linear	0.X ± 0.5		COPY			title	
C					0.XX ± 0.25		projection			2P + 16S + 2P R/A SOLDER RECEPTACLE	
					0.XXX ± 0.10					product family PwrBlade code	
				angles	0° + 2°		scale		size		
				dr	T. BRUNGARD	09/02/04	1:1		dwg no		
				enrg	M. GRAY	09/02/04	A		51915-059		
				chr	M. GRAY	09/02/04			sheet		
				appd	M. GRAY	09/02/04			4		
sheet index		revision sheet									

cage code 22526

Pro/E