

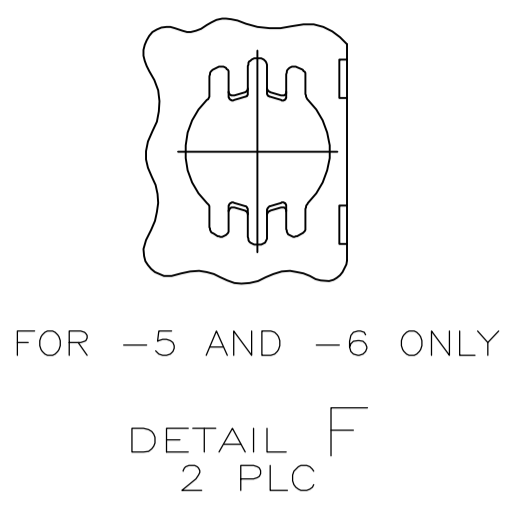
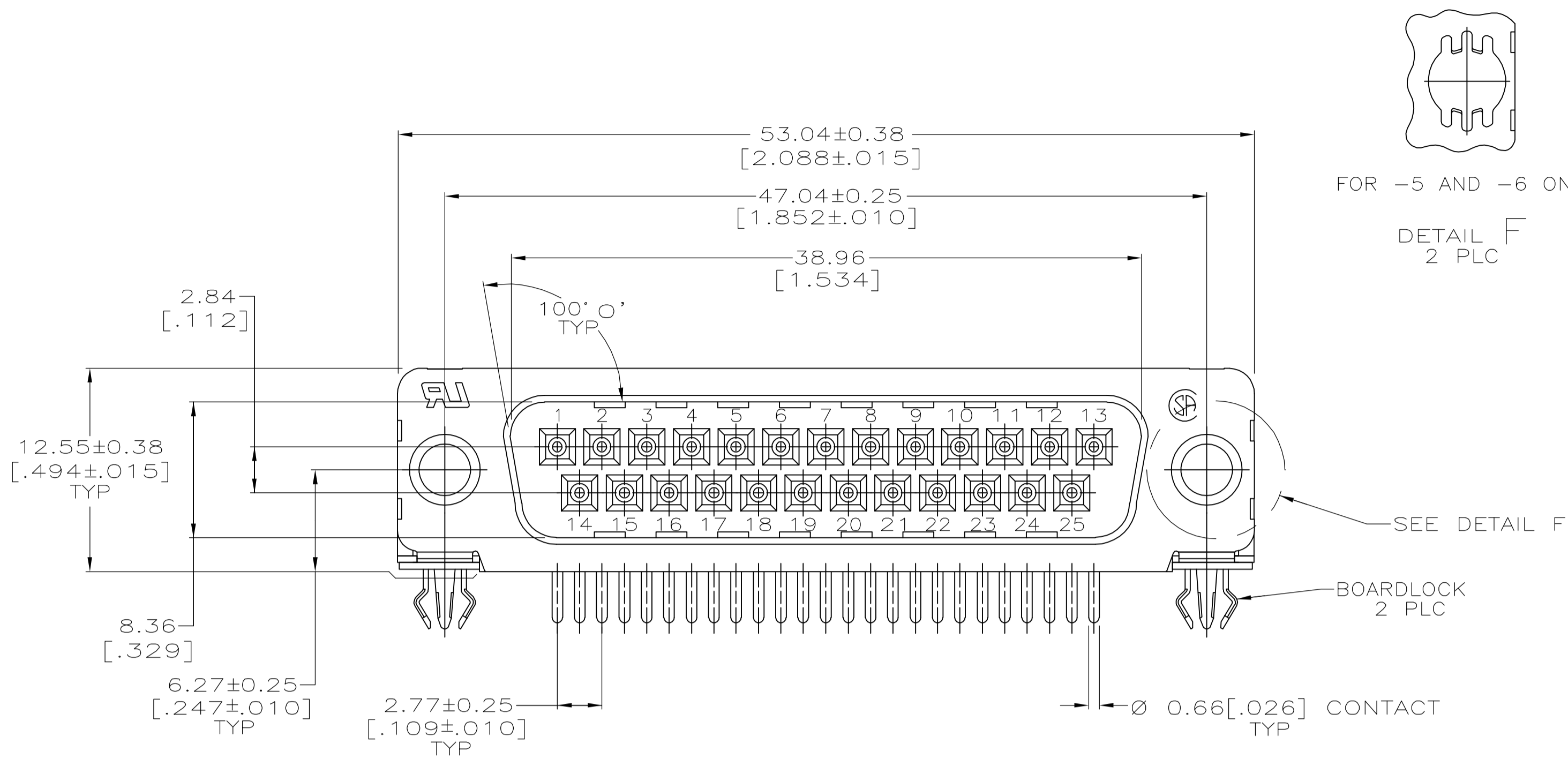
Distributed by:

**JAMECO**<sup>®</sup>  
ELECTRONICS

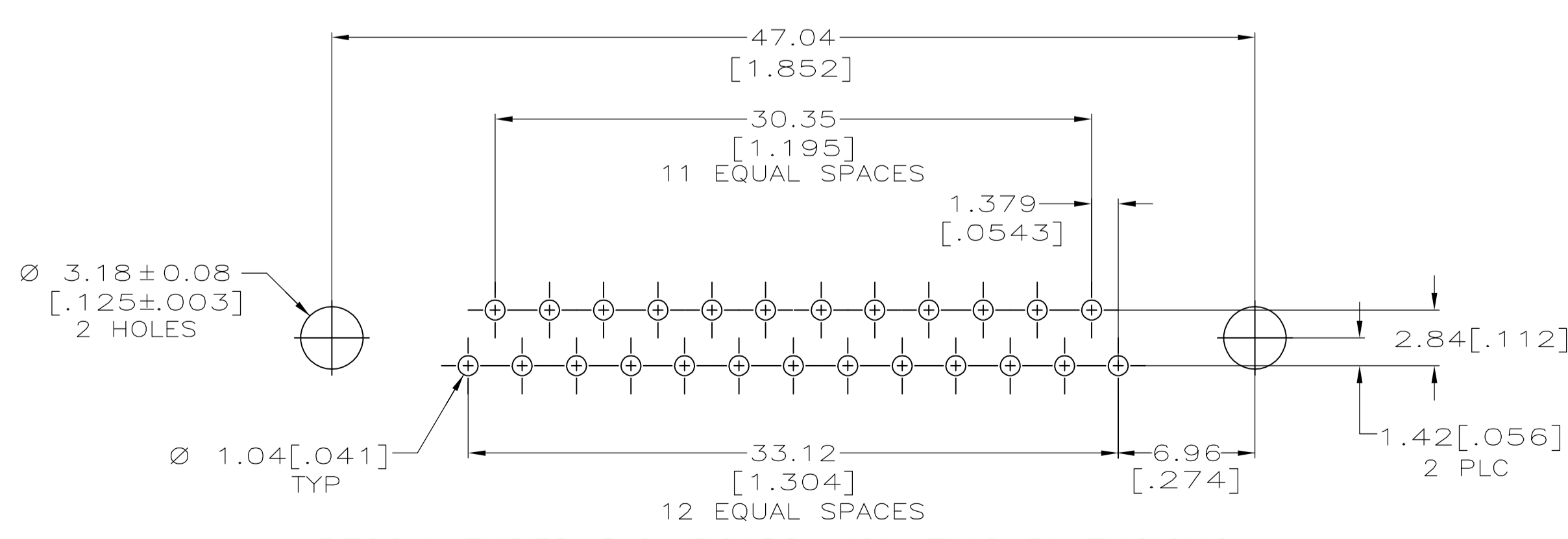
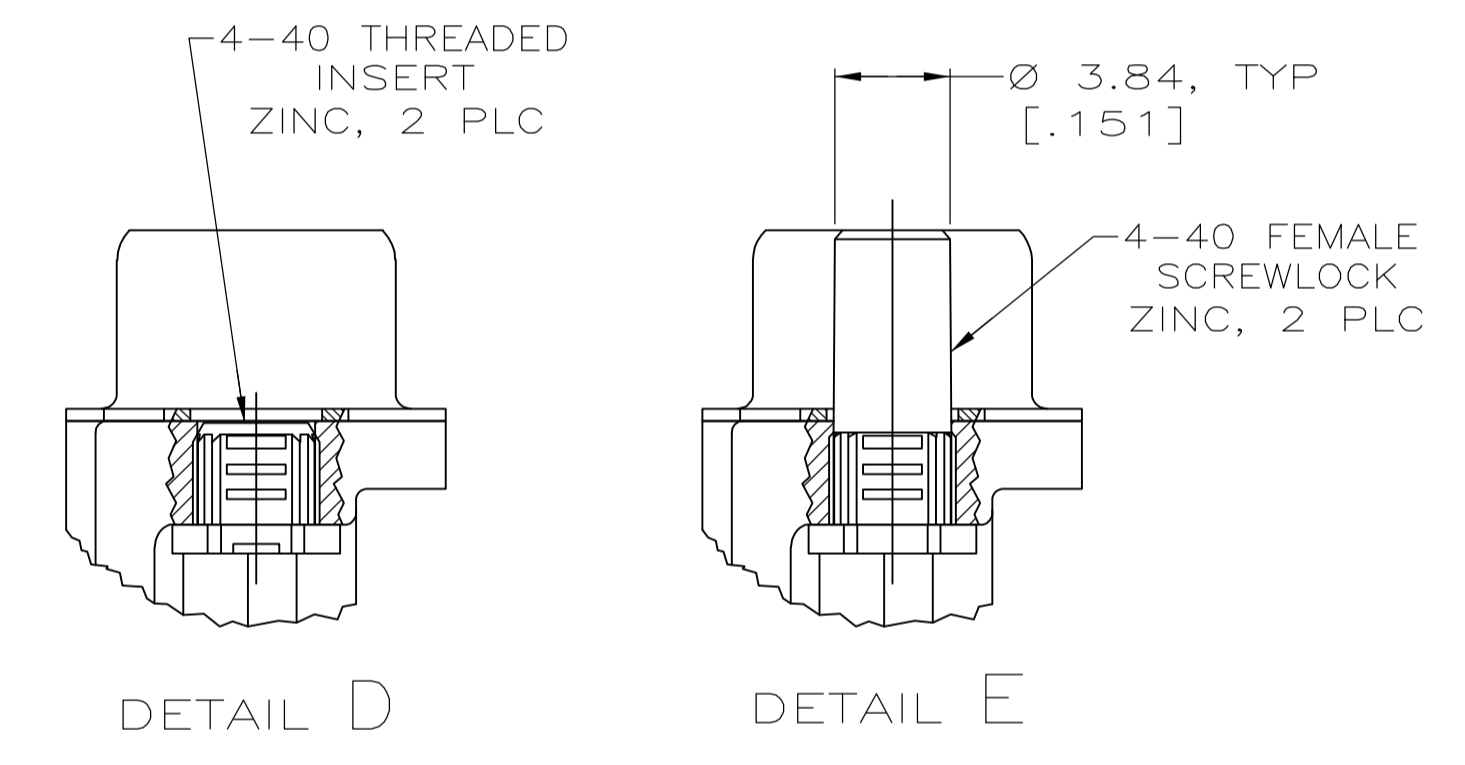
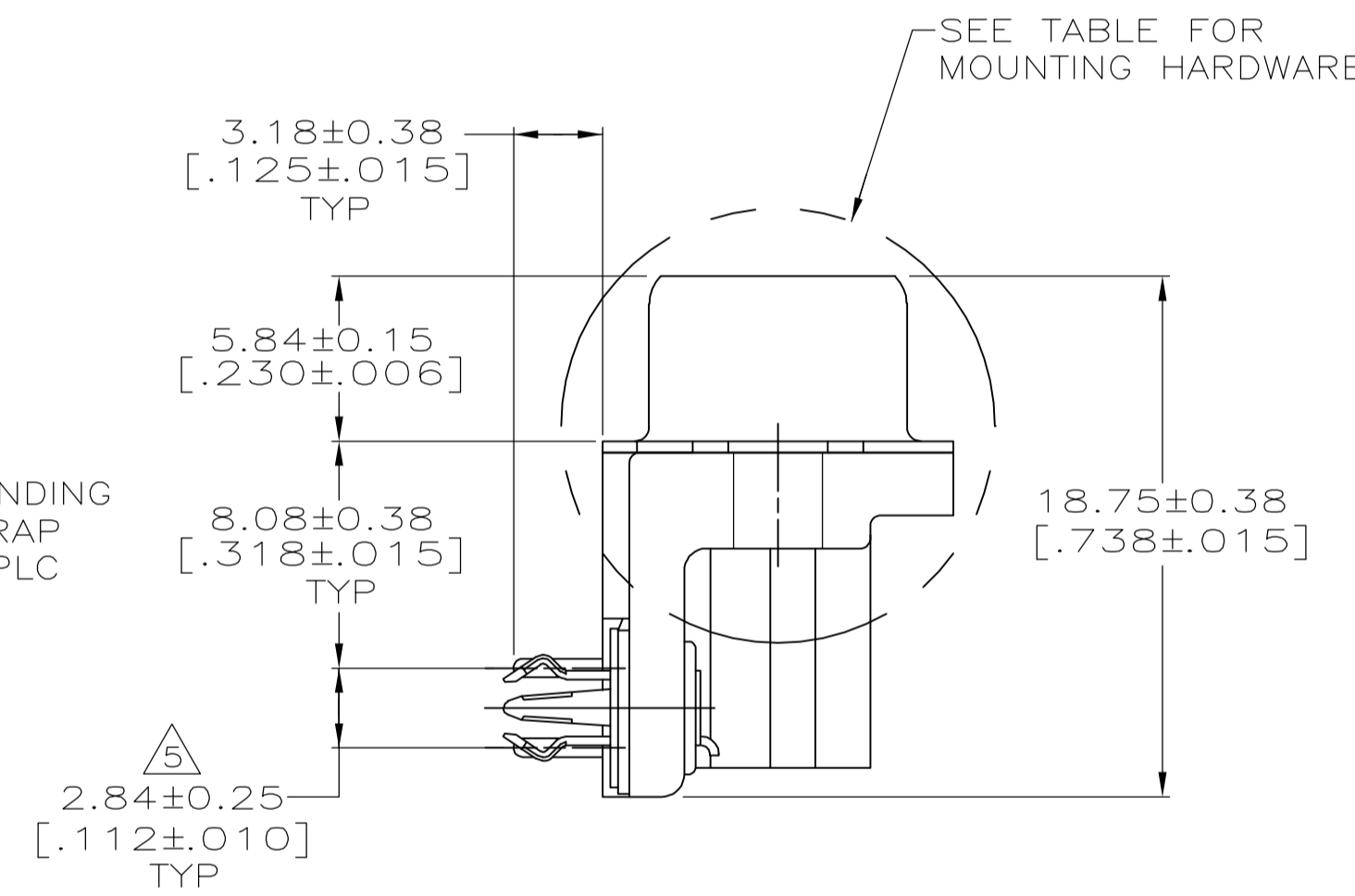
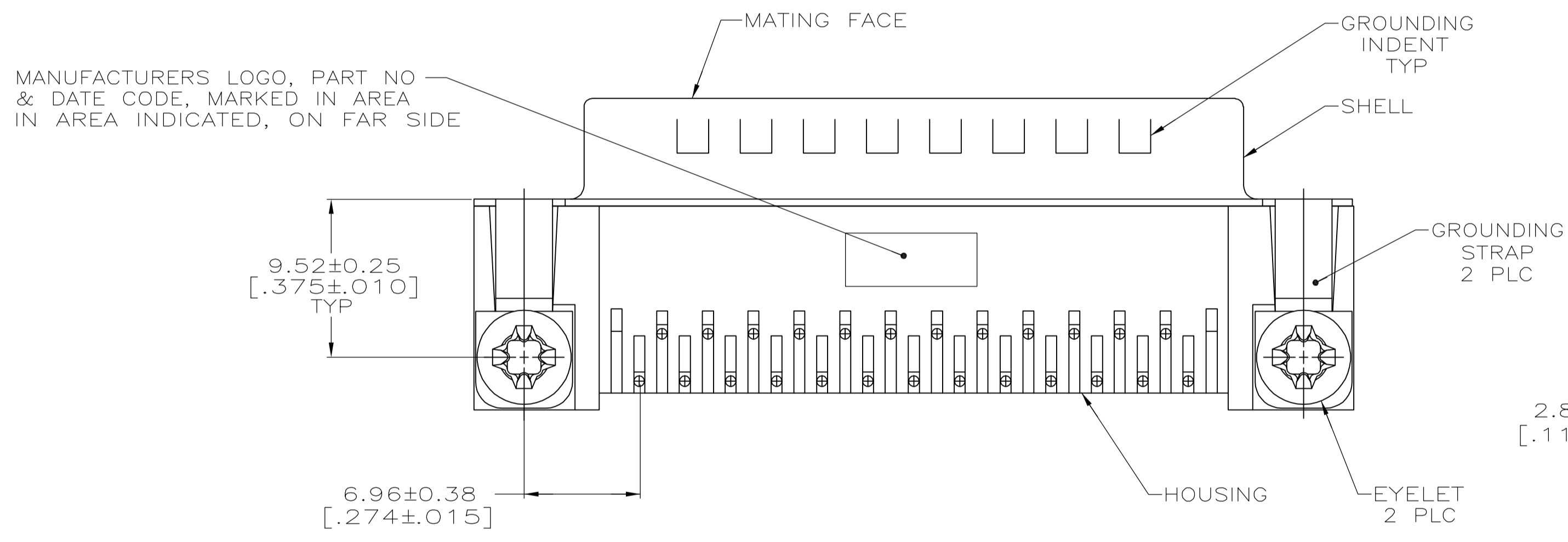
**www.Jameco.com ♦ 1-800-831-4242**

The content and copyrights of the attached  
material are the property of its owner.

Jameco Part Number 1933072



- 1 HOUSING: NYLON OR POLYESTER, FLAME RETARDANT, UL 94V-0 RATED, GLASS FILLED, BLACK.  
 CONTACTS: BRASS.  
 SHELL: CARBON STEEL.  
 EYELETS: BRASS.  
 BOARDLOCKS: COPPER ALLOY.
- 2 SHELL: 2.54 μm [.000100] MIN TIN OVER 1.27 μm [.000050] MIN COPPER.  
 EYELETS: 5.08 μm [.000200] MIN TIN OVER COPPER FLASH.  
 CONTACTS: SEE TABLE.  
 BOARDLOCKS: 5.08 μm [.000200] MIN TIN OVER 1.27 μm [.000050] MIN NICKEL.  
 INSERTS: CLEAR CHROMATE.  
 SCREWLOCKS: CLEAR CHROMATE.
- 3 GOLD PLATED FOR LENGTH OF 3.81 [.150] MIN FROM MATING END, GOLD FLASH IN MATED AREA, 2.54 μm [.000100] MIN TIN FOR A LENGTH OF 3.56 [.140] MIN FROM OPPOSITE END, BOTH OVER 1.27 μm [.000050] MIN NICKEL.
- 4 GOLD PLATED FOR A LENGTH OF 3.81 [.150] MIN FROM MATING END, 0.76 μm [.000030] MIN GOLD IN MATED AREA, 2.54 μm [.000100] MIN TIN FOR A LENGTH OF 3.56 [.140] MIN FROM OPPOSITE END, BOTH OVER 1.27 μm [.000050] MIN NICKEL.  
 -OR-  
 GOLD FLASH OVER PALLADIUM NICKEL PLATED FOR A LENGTH OF 3.81 [.150] MIN FROM MATING END, 0.76 μm [.000030] MIN PALLADIUM NICKEL IN MATED AREA, 2.54 μm [.000100] MIN TIN FOR A LENGTH OF 3.56 [.140] MIN FROM OPPOSITE END, BOTH OVER 1.27 μm [.000050] MIN NICKEL.
- 5 DIMENSION APPLIES FROM CENTER OF CONTACTS.



RECOMMENDED P.C. BOARD MOUNTING DIMENSIONS  
 P.C. BOARD THICKNESS: 1.57 [.062]

**COPYRIGHT 2005  
 TYCO ELECTRONICS CORP  
 ALL RIGHTS RESERVED**

SEE DETAIL E	4	5747842-6
SEE DETAIL D	3	5747842-5
-	4	5747842-4
-	3	5747842-3
-	2	5747842-2
MOUNTING HARDWARE	CONTACT FINISH	PART NO

THIS DRAWING IS A CONTROLLED DOCUMENT.		DIN G. ATTADIA - 04-12-05		Tyco Electronics Corporation	
DIMENSIONS: mm [INCHES]		CHK S. BOLASH 04-12-05		Harrisburg, Pa 17105-3608	
TOLERANCES UNLESS OTHERWISE SPECIFIED:		APVD M. WALMSLEY 04-12-05		NAME	
0 PLC ± -	1 PLC ± -	108-40025		PLUG ASSEMBLY, SIZE 3, 25 POSITION, RIGHT ANGLE, FRONT METAL SHELL, .318 SERIES, BOARDLOCKS, AMPLIMITE HD-20	
2 PLC ± 0.13 [.005]	3 PLC ± -	114-40010		APPLICATION SPEC	
4 PLC ± -	ANGLES ± -	A1 00779		SIZE	
FINISH		C=5747842		CASE CODE DRAWING NO	
MATERIAL		CUSTOMER DRAWING		RESTRICTED TO	
SCALE 4:1		SHEET 1 OF 1		REV A	