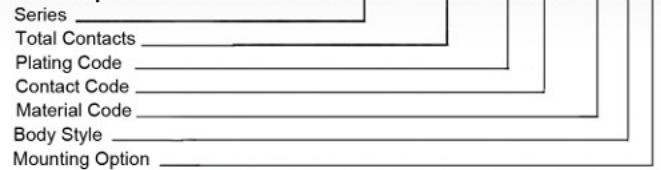




## SERIES 637/638



Example Part Number 637 - 015 - 2 30 - 0 4 7



### FEATURES

High profile available in machine contacts.  
(15- and 26-pin contacts only)

.090" (2.29mm) contact spacing x .078" (1.98mm)  
row spacing

Plug and receptacle in 15-, 26-, 44-, 62- and 78- pin  
contact sizes

Pin and socket contact mating design with PC tail  
termination

Metal shell provides EMI/RFI shielding, Plug shell indents  
provide grounding and additional mating retention

Grounding features include two-prong boardlock for  
exceptional retention to PC Board

Mounting options for panel mount or connector mating  
include through-hole, threaded inserts boardlocks and  
removeable or fixed threaded standoffs

D-shaped connector mating outline provides polarization  
design based on requirements of MIL-C-24308,  
EIA RS-232, and RS-449

### SPECIFICATIONS

Insulator Material: Thermoplastic polyester, UL 94V-0;  
chemical resistant; colour - black

Ferrite Specifications: Attenuation - 20dB MIN @ 30Mhz  
30dB MIN @ 50Mhz and 50dB MIN @ 100 Mhz

Contact Material: Plug- brass; receptacle contacts  
phosphor bronze

Contact Plating: Gold over nickel for the mating area,  
tin plating on contact tails

Shell Material: Nickel plated steel, (tin optional)

Current Rating: 5 amperes

Contact Resistance: 10 milliohms maximum

Dielectric Withstanding Voltage: 1000 V AC rms at sea level

Insulation Resistance: 5000 megohms minimum

Operating Temperature: -55 to + 105 degrees C

Engagement and Separation Force: 1 to 10 oz  
(0.28 to 2.78 N) per contact position

<b>Series</b>	
637	Plug
638	Receptacle

<b>Total Contacts</b>	015, 026, 044, 062, 078
-----------------------	-------------------------

<b>Plating Code</b>	
2	Gold Flash (Class 3)
3	15u" (0.38um) (Class 2)
6	30u" (0.76um) (Class 1)

<b>Contact Code</b>	<b>Description</b>
30	Low Profile PC tails, .157" (4.00mm)
31	High Profile PC tails, .169" (4.30mm)
22/32	Solder Cup

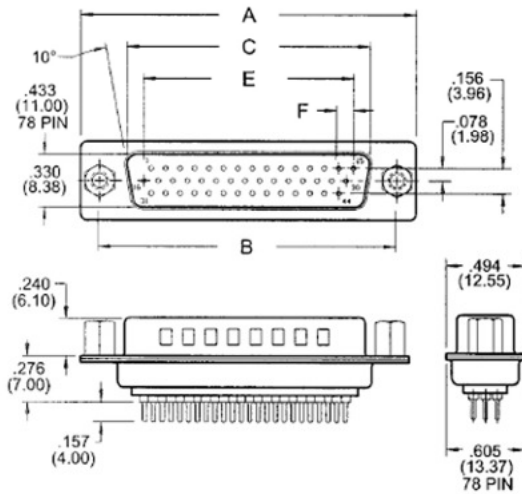
<b>Material Code</b>	
0	Indicates Generic Internal Use Code

<b>Body Style</b>	<b>Description</b>
1	Metal covered .276" (7.00mm) low profile
2	Metal covered .472" (12.00mm) high profile (15-26-pin)

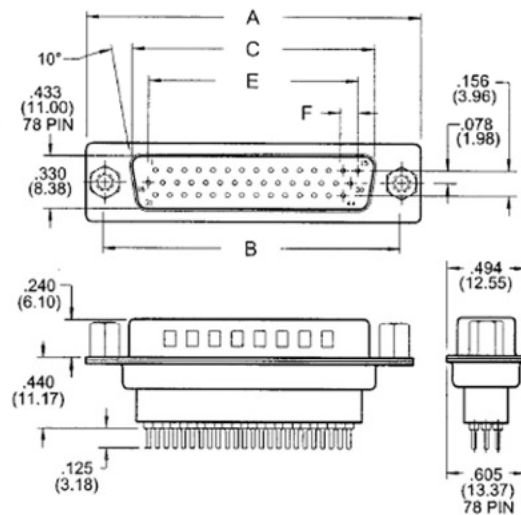
<b>Mounting Option</b>	
1	.125" (3.18mm) dia. through-hole
2	#4-40 UNC threaded inserts
3	#4-40 UNC threaded standoffs
6	#4-40 UNC threaded insert w/ boardlocks
7	#4-40 UNC threaded standoff w/ boardlocks
8	#4-40 UNC threaded fixed standoffs

### PLUG 637 SERIES

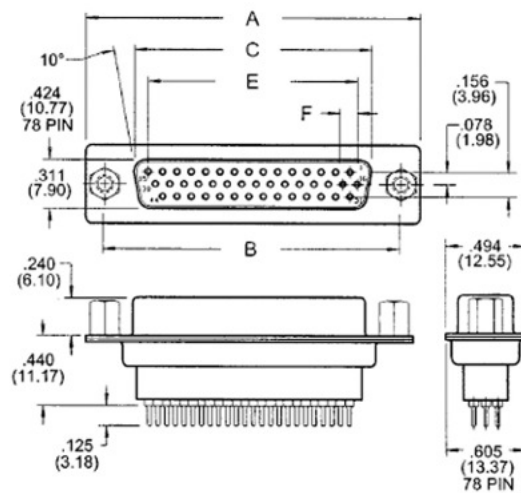
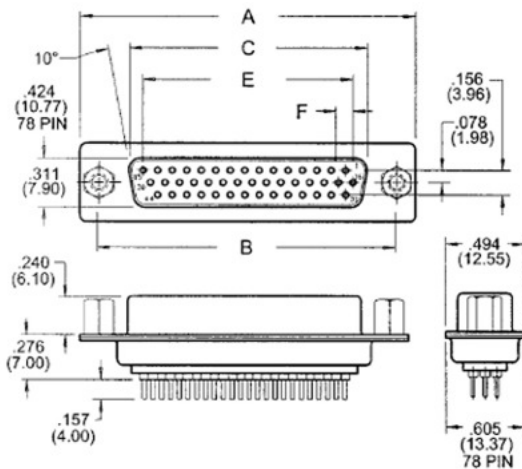
#### LOW PROFILE



#### HIGH PROFILE



### RECEPTACLE 638 SERIES



NUMBER OF CONTACTS	A		B		C PLUG		C RECEPTACLE		E		F	
	Inch	(mm)	Inch	(mm)	Inch	(mm)	Inch	(mm)	Inch	(mm)	Inch	(mm)
15	1.214	(30.84)	.984	(24.99)	.667	(16.92)	.640	(16.26)	.405	(10.29)	.090	(2.29)
26	1.545	(39.24)	1.312	(33.32)	.994	(25.25)	.967	(24.56)	.765	(19.43)	.090	(2.29)
44	2.088	(53.04)	1.852	(47.04)	1.534	(38.96)	1.508	(38.30)	1.305	(33.15)	.090	(2.29)
62	2.730	(69.34)	2.500	(63.50)	2.182	(55.42)	2.156	(54.76)	1.947	(49.45)	.095	(2.41)
78	2.635	(66.93)	2.406	(61.11)	2.090	(53.08)	2.064	(52.43)	1.805	(45.85)	.095	(2.41)