

TECHNICAL CHARACTERISTICS

MATERIAL
 INSULATOR: PA 66
 FLAMMABILITY RATING: UL94-V0
 COLOR: WHITE
 PITCH: 1.00 MM

ENVIRONMENTAL
 OPERATING TEMPERATURE: -25 UP TO 85°C
 COMPLIANCE: LEAD FREE AND ROHS

ELECTRICAL
 INSULATOR RESISTANCE: >100 MΩ
 DIELECTRIC WITHSTANDING VOLTAGE: 500 VAC/MN

STANDARD
 CERTIFIED: E323964

PACKAGING
 BAG

DIMENSION
 A = NB. POLE - 1
 B = NB. POLE + 3

RoHS Compliant

PROJECTION:



GENERAL TOLERANCE

.X = ± 0.2
 .XX = ± 0.15



APPROVAL: BBu

UNIT: MM

DESCRIPTION: WR-WTB 1.00 MM FEMALE TERMINAL HOUSING

SIZE

B	14-OCT-14	TPK DWG UPDATE	QL
A	24-JUL-14	PDF	AS
REV	DATE	FILE	BY

SCALE:
 SHEET: 1/3
 DRAW: AS

WERI PART NO: 665 0xx 113 322

A4

1

2

3

4

5

Note:

1.Dimension:

Carton Size:40*28*28(cm)

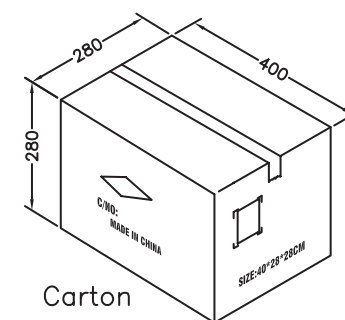
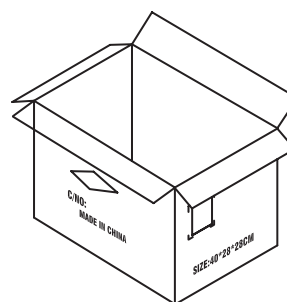
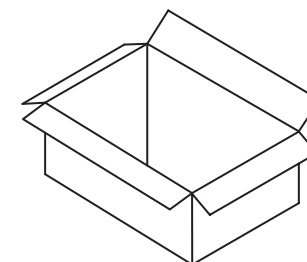
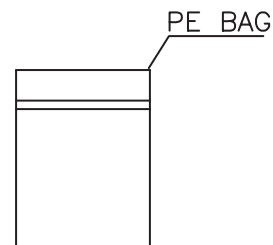
A

B

C

D

Pin.	Pcs/Bag	Pcs/Carton	Pin.	Pcs/Bag	Pcs/Carton
2	2000	60000	9	2000	28000
3	2000	54000	10	2000	26000
4	2000	48000	11	2000	26000
5	2000	42000	12	2000	22000
6	2000	36000	13	2000	20000
7	2000	30000	14	2000	18000
8	2000	28000	15	2000	18000



RoHS Compliant

PROJECTION:



GENERAL TOLERANCE

.X = ± 0.2 .XX = ± 0.15 

APPROVAL: BBu

UNIT: MM

SCALE:

SHEET: 2/3

DRAW: AS

DESCRIPTION: WR-WTB 1.00 MM FEMALE TERMINAL HOUSING

WERI PART NO: 665 0xx 113 322

SIZE

A4

REV	DATE	FILE	BY
G			
F			
E			
D			
C			
B			
A			

1

2

3

4

5

Cautions and Warnings:

This electronic component is designed and developed with the intention for use in general electronics equipments.

Before incorporating the components into any equipments in the field such as aerospace, aviation, nuclear control, submarine, transportation, (automotive control, train control, ship control), transportation signal, disaster prevention, medical, public information network etc. where higher safety and reliability are especially required or if there is possibility of direct damage or injury to human body, Würth Elektronik must be asked for a written approval.

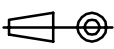

In addition, even electronic component in general electronic equipments, when used in electrical circuits that require high safety, reliability functions or performance, the sufficient reliability evaluation-check for the safety must be performed before by the user before usage.

A

B

C

RoHS Compliant

G				PROJECTION: 	GENERAL TOLERANCE .X = +/- 0.2 .XX = +/- 0.15		
F							
E							
D							
C				APPROVAL: JC	UNIT: MM	DESCRIPTION: DISCLAIMER	SIZE A4
B					SCALE:		
A	10-SEP-14	PDF	QL		SHEET: 3/3	WERI PART NO: DISCLAIMER	
REV	DATE	FILE	BY		DRAW: QL		

D