

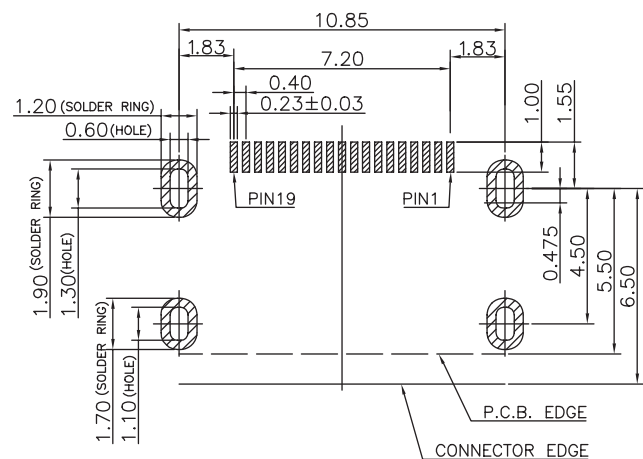
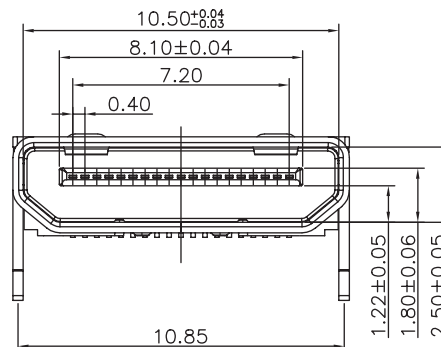
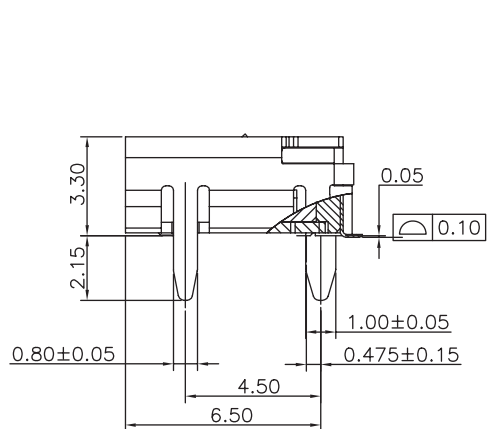
1

2

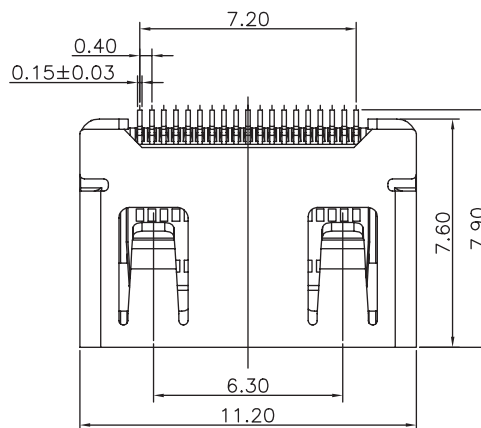
3

4

5



PCB LAYOUT - COMPONENT VIEW
TOLERANCE: ±0.05mm



TECHNICAL CHARACTERISTICS

MATERIAL
INSULATOR MATERIAL: LCP
FLAMMABILITY RATING UL94-V0
COLOUR: BLACK
CONTACT MATERIAL: PHOSPHORE BRONZE
CONTACT TYPE: STAMPED
CONTACT PLATING: SELECTIVE GOLD
SHIELDING: BRASS Ni
QUALITY CLASS: 1500 MATING CYCLES

ENVIRONMENTAL
OPERATING TEMPERATURE: -25 °C UP TO 85 °C
COMPLIANCE: LEAD FREE AND ROHS

ELECTRICAL
CURRENT RATING: 0.5 A
WORKING VOLTAGE: 40 V
INSULATION RESISTANCE: >100 MOHM
DIELECTRIC WITHSTANDING VOLTAGE: 500 VAC/MN
CONTACT RESISTANCE: 30 MOHM MAX

STANDARD
A CERTIFIED: E323964

SOLDERING
JEDEC LEAD FREE REFLOW SOLDERING PROCESS

PACKAGING
TAPE & REEL

A

B

C

RoHS Compliant

PROJECTION:



GENERAL TOLERANCE

.X = +/- 0.2

.XX = +/- 0.15



APPROVAL: NPr

UNIT: MM

SCALE:

SHEET: 1/3

DRAW:

DESCRIPTION: ANGLED SMT MINI HDMI

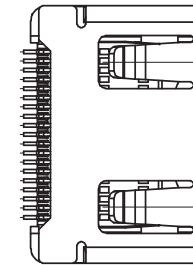
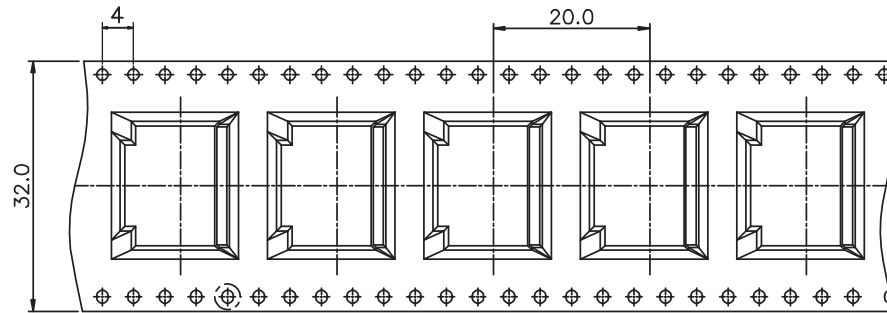
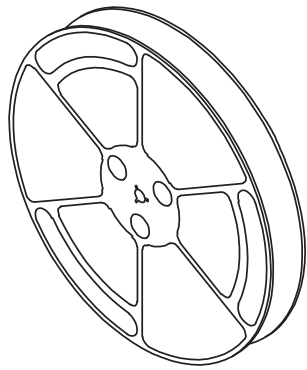
WERI PART NO: 685 119 136 923

SIZE

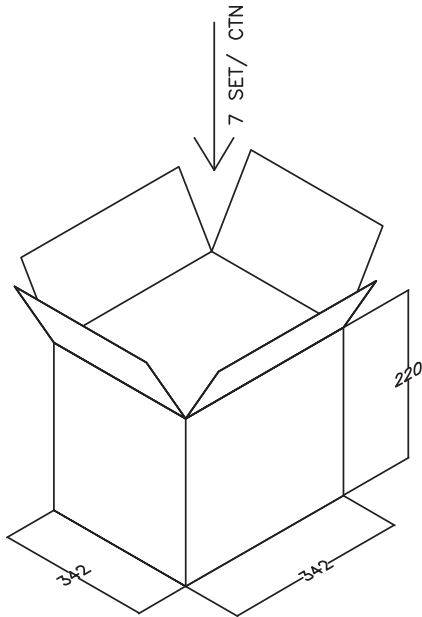
A4

D

J			
I			
H	25-APR-16	SHIELDING	AK
REV	DATE	FILE	BY

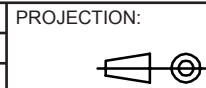


← 650 PCS/ TAPE REEL



NOTE:
 1.PACK: 650PCS/TAPE REEL 4550PCS/CTN.
 2.CARTON SIZE : 342*342*220mm.

RoHS Compliant			
G			
F			
E			
D			
C			
B			
A			
REV	DATE	FILE	BY



GENERAL TOLERANCE
 .X = +/- 0.2
 .XX = +/- 0.15



APPROVAL: RJ

UNIT: MM
 SCALE:
 SHEET: 2/3
 DRAW:

DESCRIPTION: ANGLED SMT MINI HDMI

WERI PART NO: 685 119 136 923

SIZE
A4

1

2

3

4

5

Cautions and Warnings:

This electronic component is designed and developed with the intention for use in general electronics equipments.

Before incorporating the components into any equipments in the field such as aerospace, aviation, nuclear control, submarine, transportation, (automotive control, train control, ship control), transportation signal, disaster prevention, medical, public information network etc. where higher safety and reliability are especially required or if there is possibility of direct damage or injury to human body, Würth Elektronik must be asked for a written approval.

In addition, even electronic component in general electronic equipments, when used in electrical circuits that require high safety, reliability functions or performance, the sufficient reliability evaluation-check for the safety must be performed before by the user before usage.

A

B

C

RoHS Compliant

PROJECTION:



GENERAL TOLERANCE

.X = +/- 0.2

.XX = +/- 0.15



APPROVAL: JC

UNIT: MM

SCALE:

SHEET: 3/3

DRAW: QL

DESCRIPTION: DISCLAIMER

WERI PART NO: DISCLAIMER

SIZE

A4

D

G					GENERAL TOLERANCE .X = +/- 0.2 .XX = +/- 0.15		DESCRIPTION: DISCLAIMER	SIZE A4
F								
E								
D								
C				APPROVAL: JC	UNIT: MM	DESCRIPTION: DISCLAIMER	SIZE A4	
B					SCALE:			
A	10-SEP-14	PDF	QL		SHEET: 3/3			WERI PART NO: DISCLAIMER
REV	DATE	FILE	BY		DRAW: QL			

Mouser Electronics

Authorized Distributor

Click to View Pricing, Inventory, Delivery & Lifecycle Information:

[Wurth Electronics:](#)

[685119136923](#)