

Acrylic PING))) Stand w/Hardware (#725-32008)

This handy stand, made of smoke-colored 0.220" thick acrylic, makes it easy to mount a PING)))™ Ultrasonic Distance Sensor (#28015) to your project. Mounting hardware included.

Packing List

- (1) Acrylic PING))) Stand
- (2) 1/16" Nylon spacers (#700-00015)
- (2) 1/4" Nylon spacers (713-00005)
- (2) #4-40x5/8" black pan head screws (#710-00035)
- (2) #6-32x1/2" socket-head screws (#713-00033)

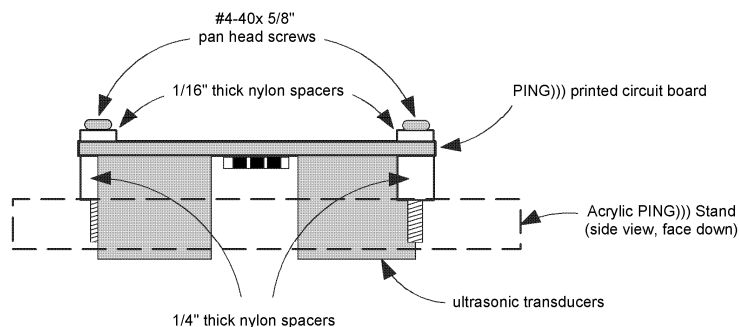
Additional Items Required

- Small Phillips screwdriver
- 7/32" ball-end hex key (#725-00021)
- PING))) Ultrasonic Distance Sensor (#28015)
- 3-wire F/F Extension Cable (10-inch, #805-00001; 14-inch #805-00002)

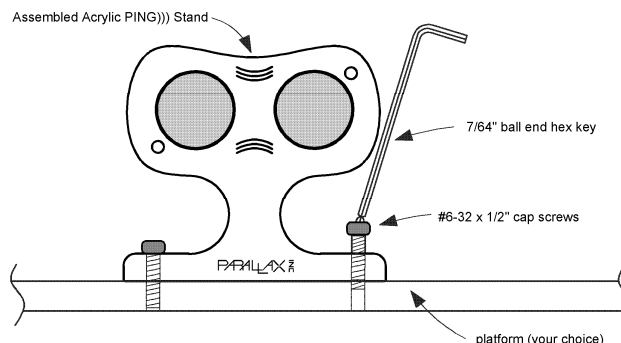
Assembly Instructions

Step 1: Remove the protective paper from both sides of the Acrylic PING))) stand and lay it etched-side down on a smooth, flat surface.

Step 2: Place a 1/16" spacer onto each of the screws, and then insert the screws through the PING))) sensor's PCB. Slide a 1/4" nylon spacer onto each screw on the other side of the PCB and then place the assembly onto the backside of the acrylic stand. The screws will cut their own threads as you screw them in with a small Phillips screwdriver. Make them snug, but do not over-tighten.



Step 3: Pre-drill two holes into the platform that you want to mount your acrylic PING))) stand to. The mounting holes are spaced 1.75" apart. The #6-32 x 1/2" long cap screws will extend about 1/4" into your platform. Depending on the platform, you may wish to drill a through hole, and secure with a washer and nut (not included in this kit). For a cleaner installation, simply drill a slightly under-sized hole (such as with a #36 bit), and have the screws cut their own threads as you twist them into your platform.



Step 4: Connect the cable to the PING))) sensor, and to your control board. Be sure to observe proper polarity, as shown in the PING))) sensor's documentation (#28015).