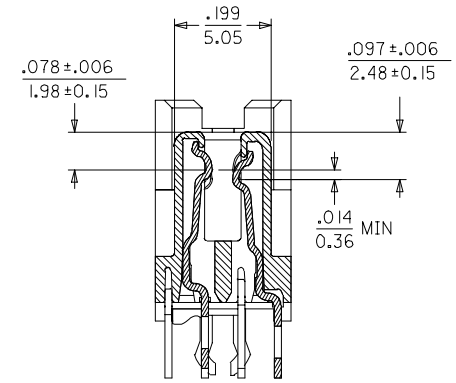
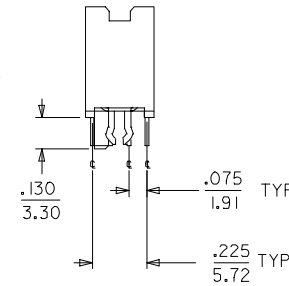
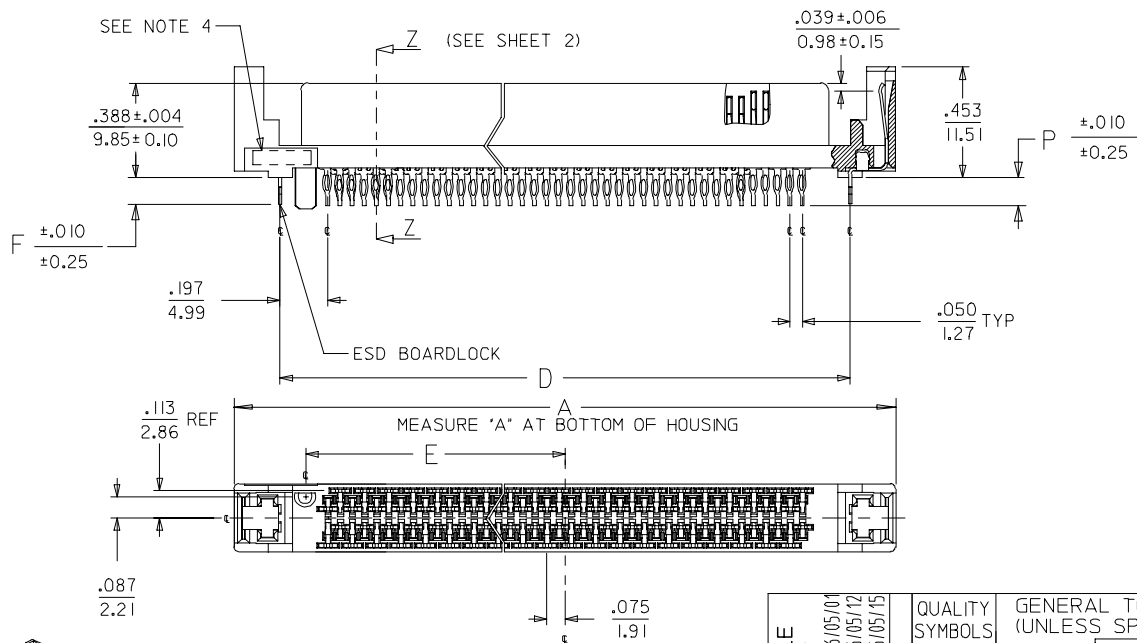
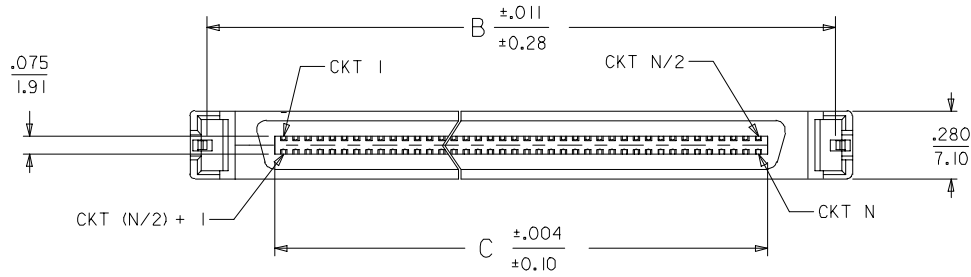


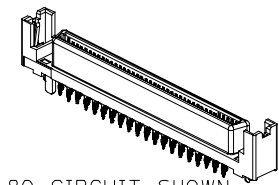
NOTES:

1. MATERIAL:  
HOUSING: I.R. COMPATIBLE POLYMER, GLASS FILLED, UL 94 V 0, BLACK  
TERMINALS: COPPER ALLOY  
BOARDLOCK: COPPER ALLOY
2. FINISH:  
TERMINALS: SELECTIVE GOLD IN CONTACT AREA  
THICKNESS = 30 MICROINCHES / 0.763 MICROMETERS  
SELECTIVE TIN-LEAD IN TAIL AREA  
THICKNESS = 100 MICROINCHES / 2.54 MICROMETERS  
NICKEL UNDERPLATE OVERALL.  
ESD BOARDLOCK:  
TIN OVERALL.
3. PRODUCT SPECIFICATION: PS-73826-0000
4. FOUR DIGIT DATE CODE IN THIS LOCATION (WK YR).
5. CONTACT GAP WILL ACCOMMODATE MATING CONNECTOR OF:  
.063+/- .003 (1.60+/- 0.08)
6. PART MATES WITH ALL PLUGS MFG. IN ACCORDANCE WITH EIA-700A0AE.



SECTION Z-Z  
SCALE - 4:1

2	K
1	K
SHEET REVISION	



80 CIRCUIT SHOWN  
SCALE - 1:1

CLARIFY PCB HOLE	DESCRIPTION
EC NO: UCP2006-2509	2006/05/01
DRWN: BARKER	2006/05/12
CHKD: BSMART	2006/05/12
APPR: SMILLER	2006/05/15
REV	
K	

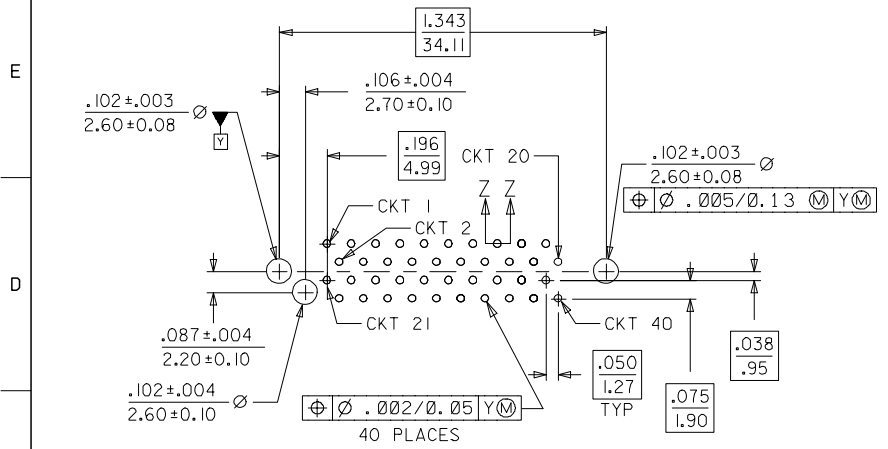
QUALITY SYMBOLS
$\nabla=0$
$\nabla=0$

GENERAL TOLERANCES (UNLESS SPECIFIED)	DIMENSION STYLE
	IN/MM
4 PLACES $\pm$ ---	DRAWN BY
3 PLACES $\pm$ ---	DATE
2 PLACES $\pm 0.13$	CHECKED BY
1 PLACE $\pm 0.25$	DATE
ANGULAR $\pm 1/2^\circ$	APPROVED BY
	DATE
DRAFT WHERE APPLICABLE	MATERIAL NO.
MUST REMAIN WITHIN DIMENSIONS	SEE TABLE

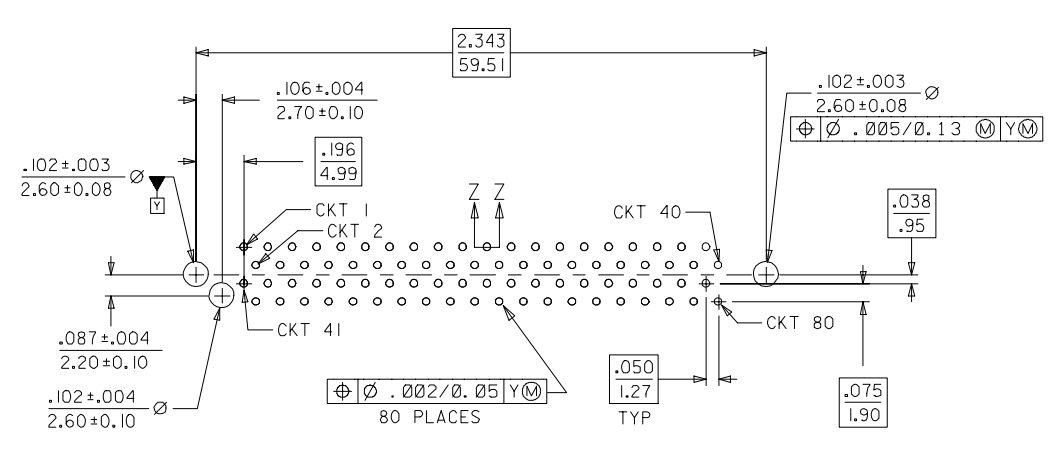
ACHAMMER	12/09/1997
ACHAMMER	02/10/1998
BANAK IS	02/12/1998

SCALE	DESIGN UNITS	THIRD ANGLE PROJECTION
2:1	INCH	
TITLE		
SALES ASSEMBLY		
MOLEX SCA-2		
PRESS-FIT RECEPTACLE		
MOLEX INCORPORATED		
DOCUMENT NO.	SHEET NO.	
SD-73826-001	1 OF 2	
THIS DRAWING CONTAINS INFORMATION THAT IS PROPRIETARY TO MOLEX INCORPORATED AND SHOULD NOT BE USED WITHOUT WRITTEN PERMISSION		

MATERIAL NUMBER	CIRCUIT SIZE	DIMENSION A	DIMENSION B	DIMENSION C	DIMENSION D	DIMENSION E	DIMENSION F	DIMENSION P	ADVANCED TERMINALS / CIRCUITS (SECTION Z-Z, SHEET 1)
738260001	80	2.717/(69.0)	2.583/(65.6)	2.025/(51.44)	2.343/(59.5)	1.066/(27.06)	.109/(2.77)	.125/(3.18)	1, 36, 37, 38, 39, 40, 41, 42, 43, 45, 46, 75, 76, 77, 78, 79, 80
738260002	40	1.717/(43.6)	1.583/(40.2)	1.025/(26.04)	1.343/(34.1)	.566/(14.38)	.109/(2.77)	.125/(3.18)	21, 22, 23, 26, 29, 32, 35, 36, 37, 38, 39, 40
738260003	80	2.717/(69.0)	2.583/(65.6)	2.025/(51.44)	2.343/(59.5)	1.066/(27.06)	.109/(2.77)	.135/(3.43)	1, 36, 37, 38, 39, 40, 41, 42, 43, 45, 46, 75, 76, 77, 78, 79, 80
738260004	40	1.717/(43.6)	1.583/(40.2)	1.025/(26.04)	1.343/(34.1)	.566/(14.38)	.109/(2.77)	.135/(3.43)	21, 22, 23, 26, 29, 32, 35, 36, 37, 38, 39, 40

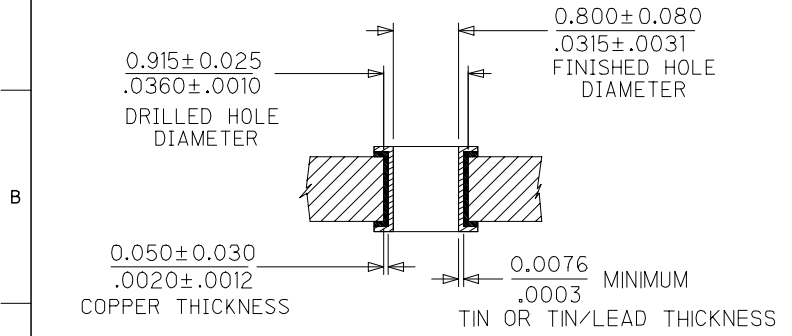


PCB LAYOUT FOR 40 CIRCUIT COMPONENT SIDE



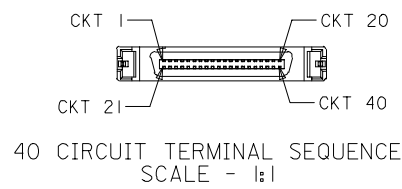
PCB LAYOUT FOR 80 CIRCUIT COMPONENT SIDE

RECOMMENDED BOARD THICKNESS = .093

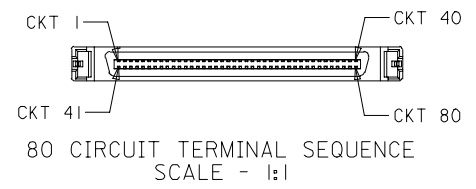


NOTE: SECTION Z-Z - RECOMMENDED PCB HOLE CONFIGURATION

THE DRILLED HOLE SIZE IS BASED ON THE RECOMMENDED PLATING AND THICKNESSES. IF OTHER PLATING TYPES AND/OR THICKNESSES ARE USED, A DRILL SIZE THAT WILL RESULT IN THE FINISHED HOLE SIZE INDICATED WILL NEED TO BE USED.



40 CIRCUIT TERMINAL SEQUENCE SCALE - 1:1



80 CIRCUIT TERMINAL SEQUENCE SCALE - 1:1

CLARIFY PCB HOLE EC NO: UCP2006-2509 DRWN: BARKER 2006/05/01 CHKD: BSMART 2006/05/12 APPR: SMILLER 2006/05/15	QUALITY SYMBOLS ▽=0 ▽=0	GENERAL TOLERANCES (UNLESS SPECIFIED)		DIMENSION STYLE IN/MM		SCALE 2:1	DESIGN UNITS INCH	THIRD ANGLE PROJECTION		
		4 PLACES ± --- ± ---	3 PLACES ± --- ± .005	DRAWN BY ACHAMMER DATE 12/09/1997	TITLE SALES ASSEMBLY MOLEX SCA-2 PRESS-FIT RECEPTACLE					
		2 PLACES ± 0.13 ± .010	1 PLACE ± 0.25 ± ---	CHECKED BY ACHAMMER DATE 02/10/1998	MOLEX MOLEX INCORPORATED					
		ANGULAR ±1/2°		APPROVED BY BANAKIS DATE 02/10/1998	MATERIAL NO. SEE TABLE	DOCUMENT NO. SD-73826-001	SHEET NO. 2 OF 2			
DRAFT WHERE APPLICABLE MUST REMAIN WITHIN DIMENSIONS		THIS DRAWING CONTAINS INFORMATION THAT IS PROPRIETARY TO MOLEX INCORPORATED AND SHOULD NOT BE USED WITHOUT WRITTEN PERMISSION								

# Mouser Electronics

Authorized Distributor

Click to View Pricing, Inventory, Delivery & Lifecycle Information:

[Molex:](#)

[73826-0001](#)