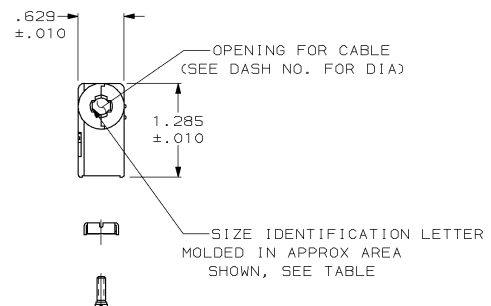
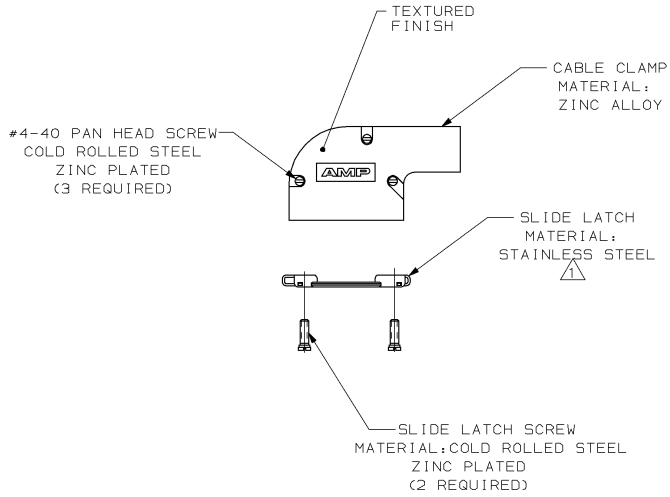
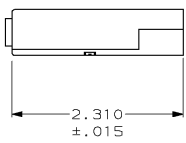


DRAWING MADE IN THIRD ANGLE PROJECTION
 THIS DRAWING IS UNPUBLISHED. RELEASED FOR PUBLICATION
 © COPYRIGHT 19 BY AMP INCORPORATED. ALL INTERNATIONAL RIGHTS RESERVED.

LOC	DIST	P	F	ZONE	LTR	DESCRIPTION	DATE	APPD
BD	48				C	REDRAWN	7/11/90	-
					C1	ADDED -5 PER NPR 4841	07/09/93	MW
					D	REV PER EC 0020-881-95	26 AUG 95	JS
					E	OBS -5 PER EC 0420-141-96	23 SEPT 97	SB



OBsolete	SMALL PACK	K		.430	745652-5
	STANDARD	B	PLATED NICKEL OVER COPPER	.225	745652-4
	STANDARD	E		.300	745652-3
	STANDARD	H		.375	745652-2
	STANDARD	K		.430	745652-1
	PACKAGING	NECK IDENT	REMARKS	CABLE DIA	PART NO.

- ⚠ KIT INCLUDES SLIDE LATCH & SCREWS.
- 2. ALL PARTS PACKAGED UNASSEMBLED.

DO NOT SCALE PRINT. UNLESS SPECIFIED DIMENSIONS IN INCHES TOLERANCES ON + 2 PLC DEC # - 3 PLC DEC # .005 ANGLES ± -	DR 7-10-90 A. STAUB BG CHK 9-10-90 J. McCLINTON APPD 9-11-90 B. TAYLOR	AMP AMP INCORPORATED Harrisburg, Pa. 17105			
MATERIAL SEE CALLOUTS	PRODUCT SPEC -	NAME CABLE CLAMP KIT, SIZE 2, 15 POSITION, 90°, AMPLIMITE™ SERIES			
FINISH SEE CALLOUTS	APPLICATION SPEC -	SIZE C	FSCM NO 00779	DRAWING NO 745652	
WEIGHT -		SCALE 1:1		SHEET 1 OF 1	

CUSTOMER DRAWING