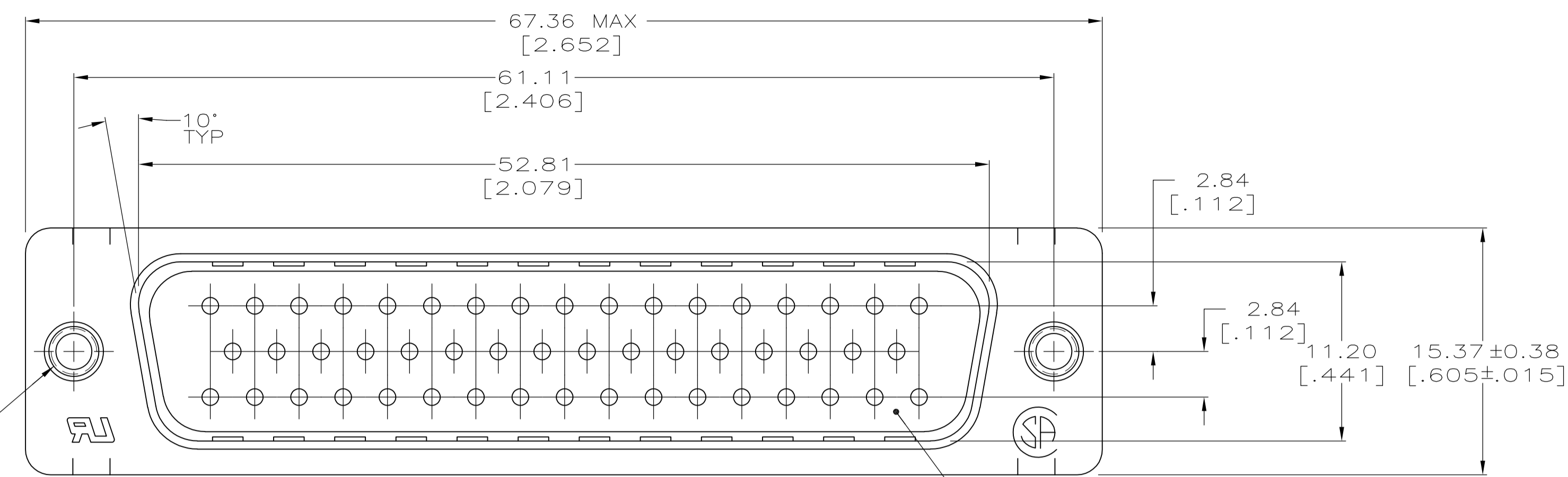


LOC		DIST		REVISIONS			
F	LTR	DESCRIPTION	DATE	DWN	APVD		
F		REVISED PER ECO-10-019804	03NOV10	HMR	JL		



5 THREADED INSERT  
2 PLC

- 1 RECOMMENDATIONS FOR 2.36[.093] MIN THICK PC BOARD:
  - A. HOLE DIAMETER AFTER DRILLING= 1.14±0.03[.045±.004].
  - B. HOLE DIAMETER AFTER TIN-LEAD PLATING= 0.94-1.09[.037-.043].
  - C. HOLE DIAMETER AFTER REFLOW= 0.91-1.09[.036-.043].
  - D. PC BOARD PLATING TO BE 7.62µm[.000300] MIN TIN-LEAD OVER 50.8µm±25.4µm[.002±.001] COPPER.

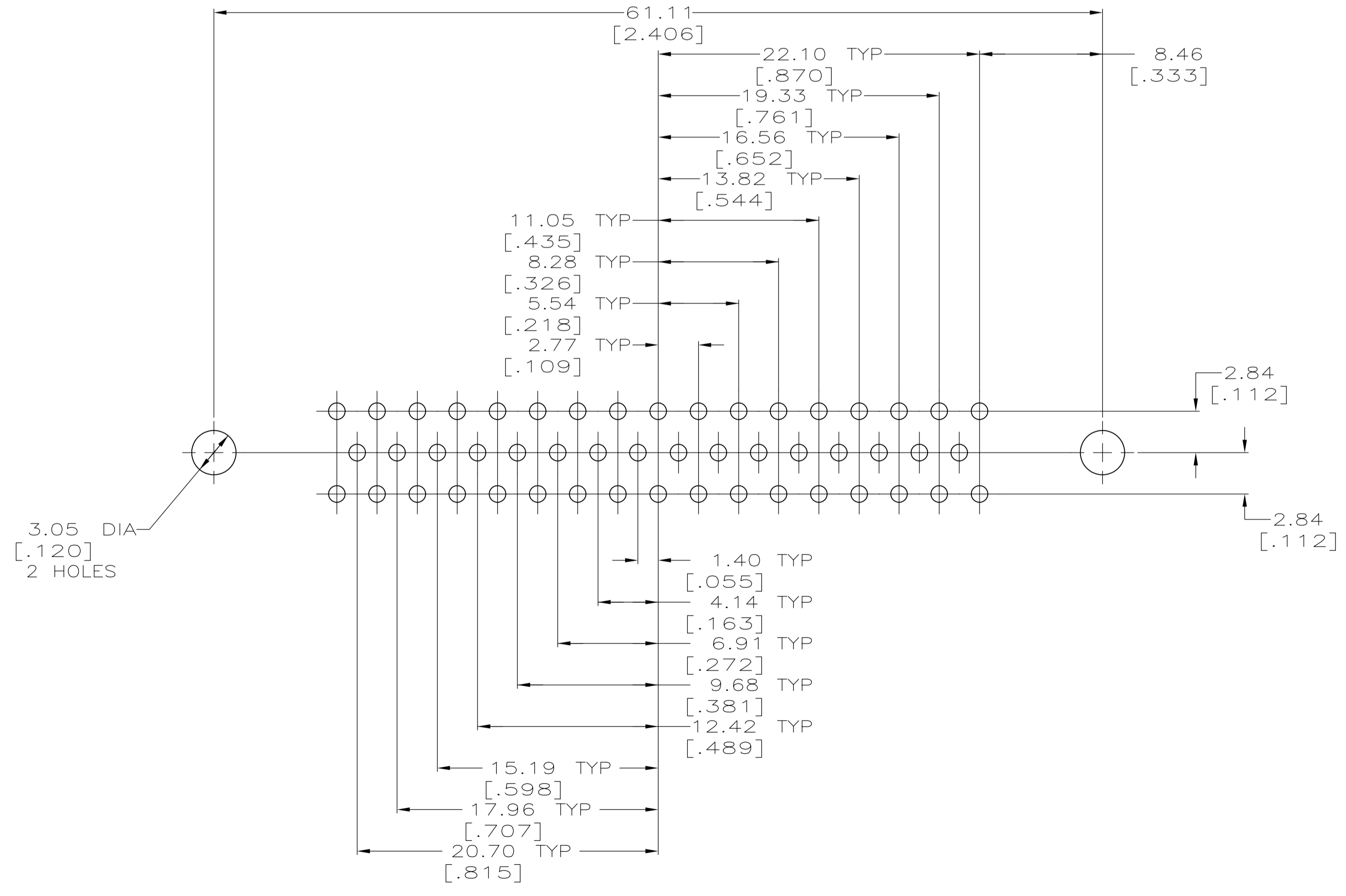
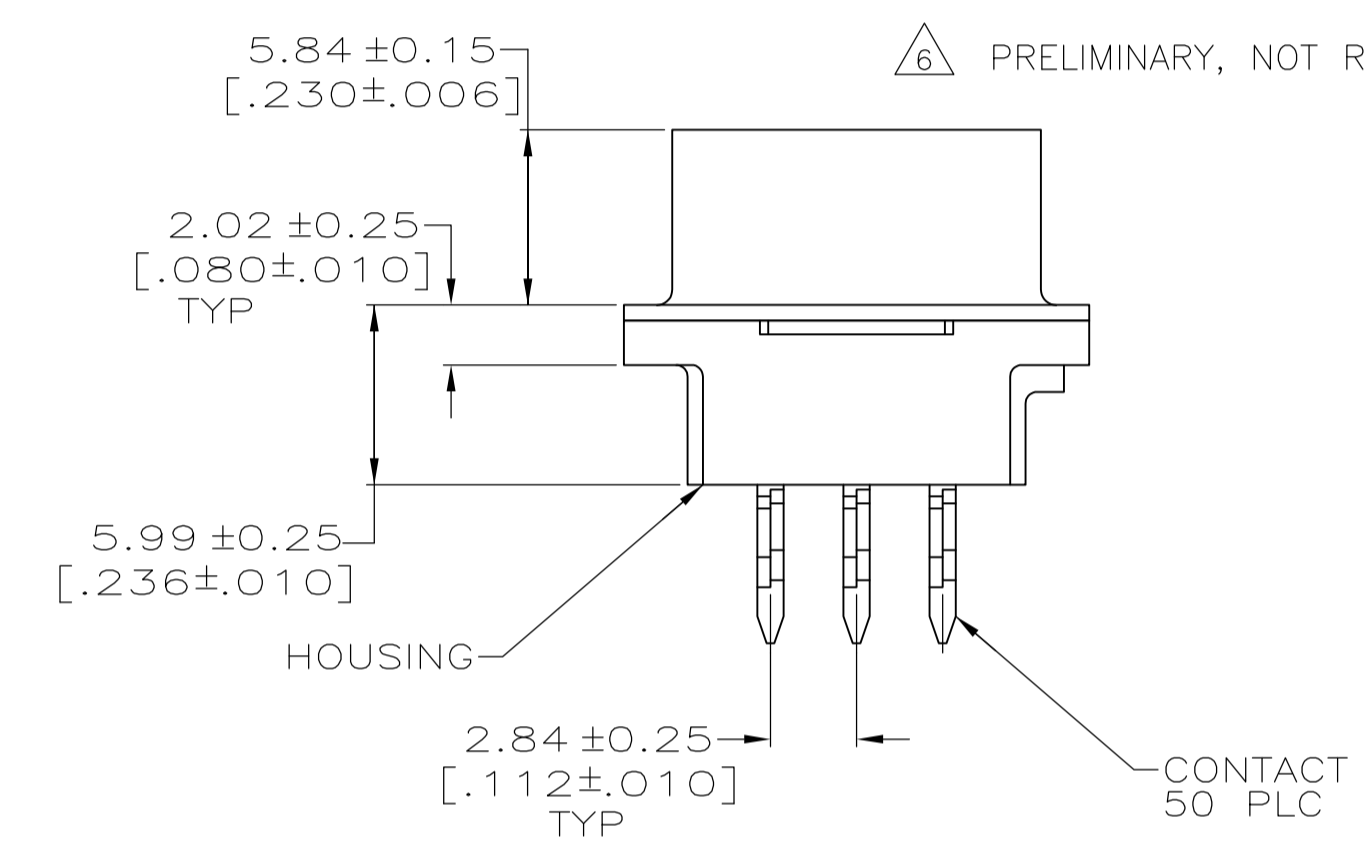
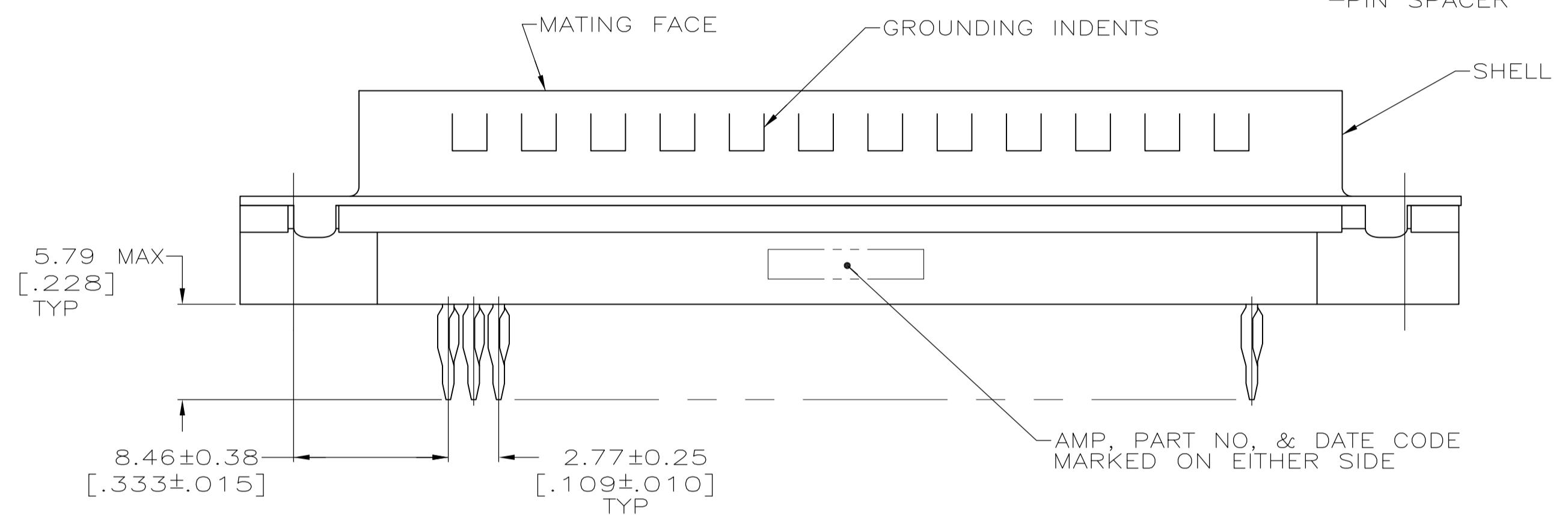
2 MATERIAL:  
 MOLDED PARTS: UL 94V-0 RATED, POLYESTER, BLACK.  
 CONTACTS: BRASS  
 SHELL: CARBON STEEL  
 INSERTS: BRASS

3 SHELL: 5.08µm [.000200] MIN TIN OVER 1.27µm [.000050]

4 CONTACTS:  
 0.76 MICRO METERS [.000030] MINIMUM GOLD IN MATING AREA.  
 2.54 MICRO METERS [.000100] MINIMUM TIN OR TIN-LEAD ON COMPLIANT PIN.  
 ALL OVER 1.27 MICRO METERS [.000050] MINIMUM NICKEL.  
 OR  
 GOLD FLASH OVER PALLADIUM NICKEL.  
 0.76 MICRO METERS [.000030] MINIMUM TOTAL IN MATING AREA.  
 2.54 MICRO METERS [.000100] MINIMUM TIN OR TIN-LEAD ON COMPLIANT PIN.  
 ALL OVER 1.27 MICRO METERS [.000050] MINIMUM NICKEL.

5 SEE TABLE FOR THREAD SIZE.

6 PRELIMINARY, NOT RELEASED FOR PRODUCTION.



RECOMMENDED PC BOARD MOUNTING DIMENSIONS 1

M3	749892-2
4-40	749892-1
THREAD SIZE	PART NUMBER

THIS DRAWING IS A CONTROLLED DOCUMENT.

DIMENSIONS: mm [INCHES]	TOLERANCES UNLESS OTHERWISE SPECIFIED:	DIN L.SIPE 09/26/89	9-26-89	Tyco Electronics Corporation Harrisburg, PA 17105-3608
0 PLC ± -	1 PLC ± -	2 PLC ± 0.13 [005]	3 PLC ± -	4 PLC ± -
MATERIAL		FINISH		WEIGHT
CUSTOMER DRAWING		SCALE 4:1		SHEET 1 of 1 REV F

PRODUCT SPEC: 108-40014  
 APPLICATION SPEC: 114-40026  
 CONNCTOR ASSEMBLY, PLUG, SIZE 5, 50 POSN, ACTION PIN, FRONT METAL SHELL, W/ PIN SPACER, AMPLIMITE

**OBsolete NOT THE LATEST REVISION**