

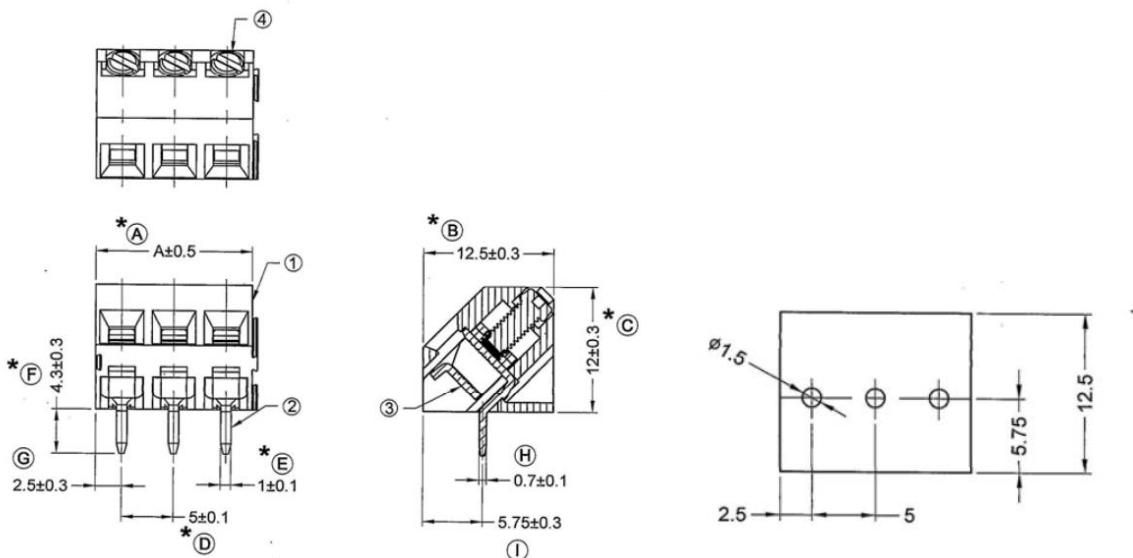
Datasheet

2 way terminal block 5.08mm

RS Stock 790-1206



Dimensions: (mm)



Specification

Current Rating: 16Amp AC300V
 Insulation Withstands Volts: AC2000V Min
 Insulation Resistance: >2000M Ω DC500V
 Operation Temperature: -40°C to + 105°C
 Wire Strip Length: 6mm~7mm
 Wire Range: 12~24 AWG
 Screw Torque: 3.5lb-inch

Material

Insulating Body: Polyamide 66(UL94V-0)
 Screw: Steel / Finish: NI Plated
 Terminal: Brass/ Tin Plated
 Cage Clamp: Steel / Finished: NI Plated
 RoHS Compliant