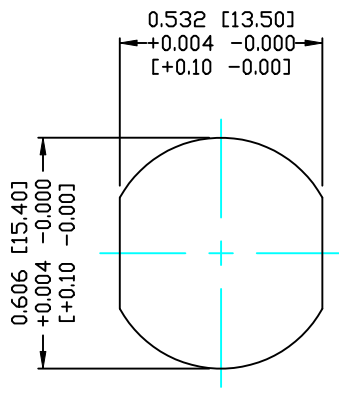
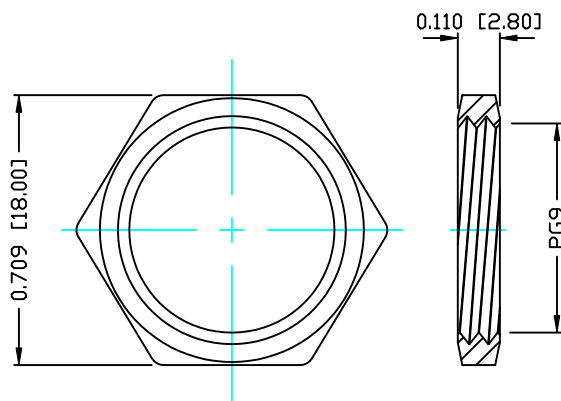


**DESCRIPTION: M12 FEMALE - PANEL MOUNT (REAR) - 5 POS.**



PANEL CUTOUT



NUT

**NOTE:**

**MATERIAL**

HOUSING: PBT UL94V-0, BLACK  
 CONTACT: BRASS  
 NUT: BRASS  
 SHELL: BRASS  
 O-RING: EPDM, BLACK

**FINISH**

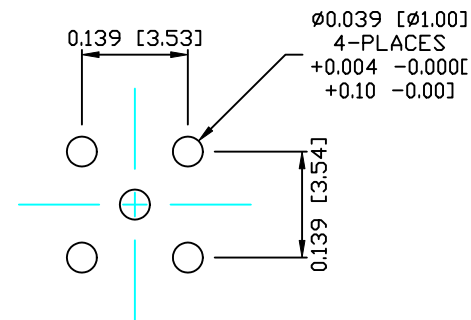
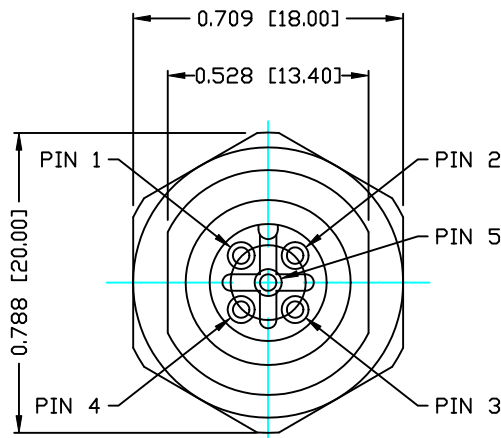
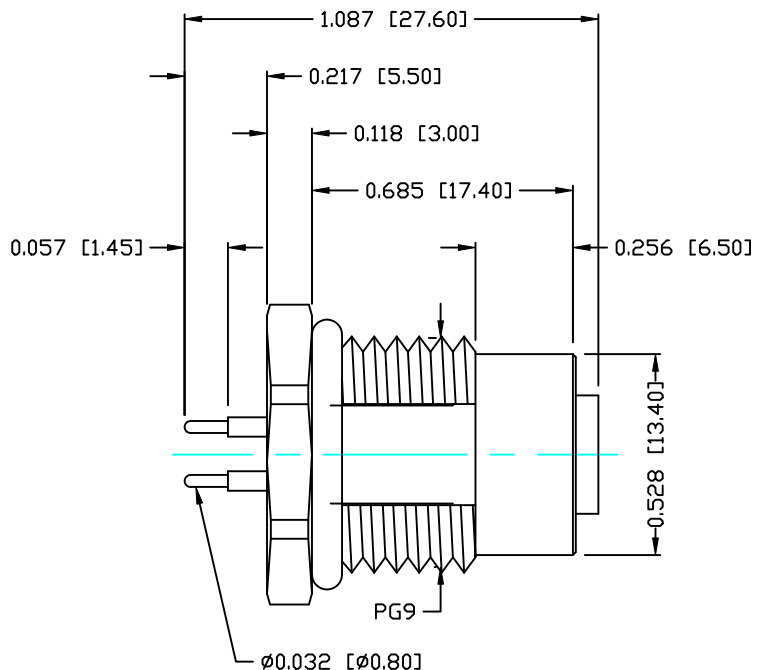
CONTACT: GOLD 10µm MIN.  
 OVER 50µm NICKEL  
 NUT: NICKEL PLATED  
 SHELL: NICKEL PLATED

**ELECTRICAL**

RATED CURRENT: 5A  
 RATED VOLTAGE: 125V  
 WATER PROOF: IP67

**ENVIRONMENT**

OPERATION TEMPERATURE: -40°C TO +85°C



PLC LAYOUT

**RoHS COMPLIANT**

**DO NOT SCALE FROM DRAWING**



THESE DRAWINGS AND SPECIFICATIONS ARE THE PROPERTY OF NorComp AND SHALL NOT BE REPRODUCED, COPIED OR USED AS THE BASIS FOR THE MANUFACTURE OR SALE OF APPARATUS WITHOUT WRITTEN PERMISSION.

DRAWN: C. SMITH

DATE: 08-29-14

CHECKED:

DATE:

**NorComp**

SCALE: N.T.S.

SHEET 1 OF 1

REV 0

DWG NO.

860-005-213R004

# Mouser Electronics

Authorized Distributor

Click to View Pricing, Inventory, Delivery & Lifecycle Information:

[NorComp:](#)

[860-005-213R004](#)