

1

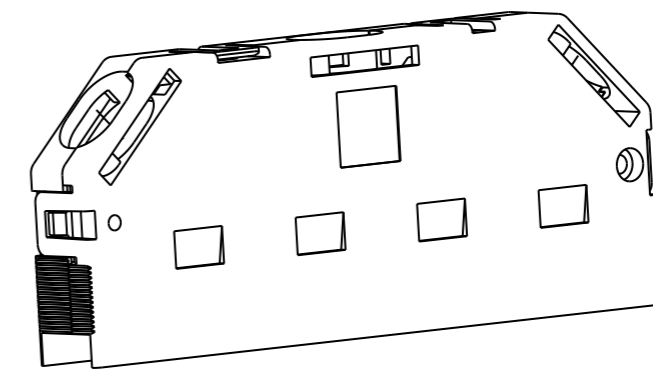
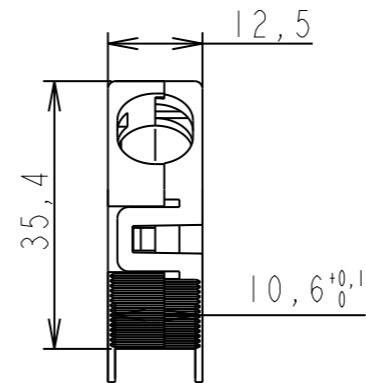
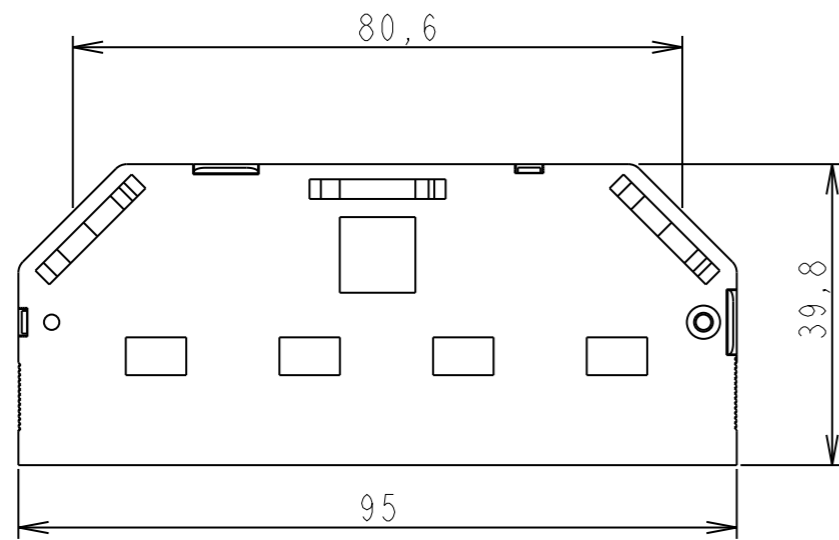
2

3

4

PACKAGING:

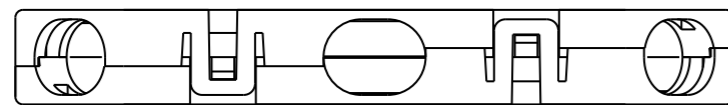
- Each P/N consists of 2 half hoods
- 20 P/N in plastic bag (40 half hoods)
- Such 10 plastic bags in a suitable shipping box



NOTE: RoHS INFORMATIONS

- The "LF" product meets European union Directives and other country regulations as described in GS-22-008.
- The product is not intended to be exposed to a manufacturing solder process.
- Packaging spec: see GS-14-920.

Part Number: 8609-3162LF



www.fciconnect.com		surface ISO 1302	tolerance std ISO 406 ISO 1101	projection	mm
		TOLERANCES UNLESS OTHERWISE SPECIFIED		⊕-□	↔
Dr	GOISNARD	2005-10-17	ANGULAR	size A3	Scale 1/1
Eng	TARON	2005-10-17	LINEAR	ECN	LS06-0208
Chr	M JACOB	2011-03-21	0° ±2°	Product family	DIN Spec ref
Appr	BIJU K PAUL	2011-03-21	Product family		DIN Spec ref
rev	ecn no	dr	date	FCi CAPOT DIN 41612	
A	LS05-0086	HLE	2005-10-17	POUR CONNECTEUR 96 POINTS	
B	LS06-0208	LGO	2006-12-12	catalog no	
C	111-0057	MJA	2011-03-21	CUSTOMER	
-	-	-	-	sheet 1 of 1	
-	-	-	-	Rev. C	
-	-	-	-	C-8609-1198	
-	-	-	-	STATUS: Released	



Copyright FCI.

# Mouser Electronics

Authorized Distributor

Click to View Pricing, Inventory, Delivery & Lifecycle Information:

[FCI / Amphenol:](#)

[86093162LF](#)