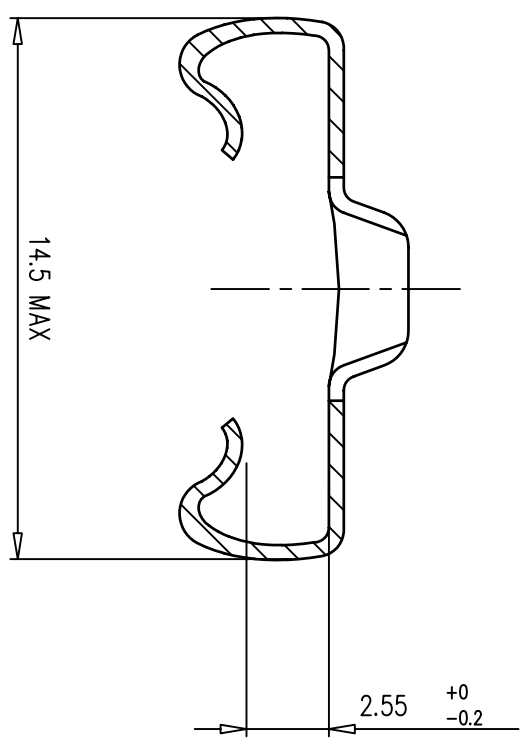
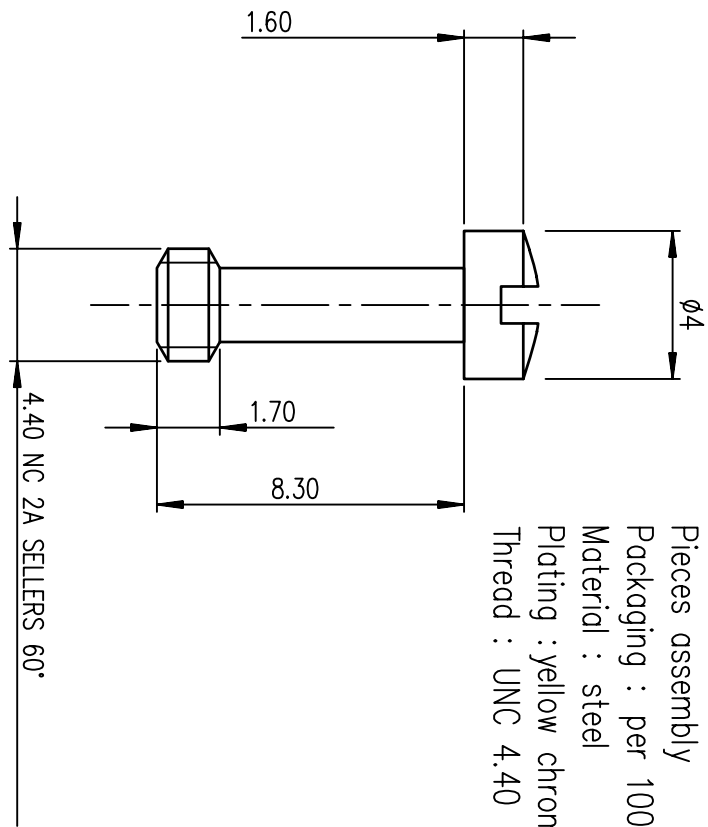
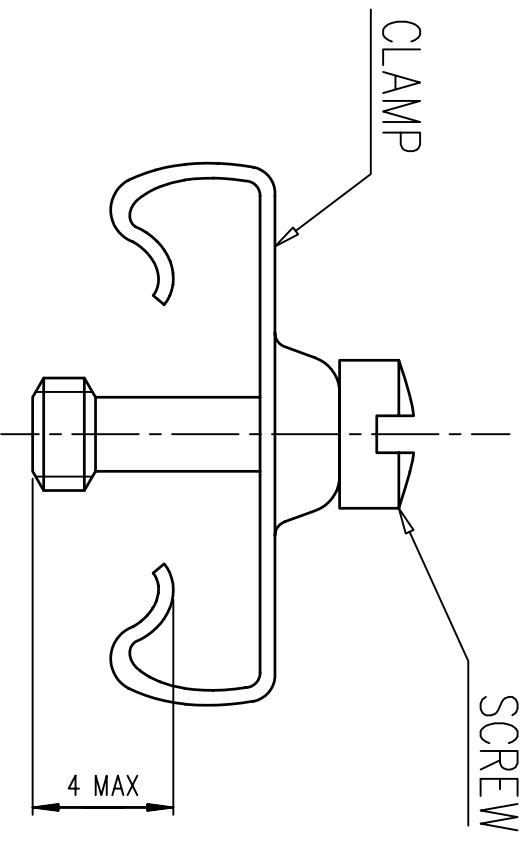


NOTES

Pieces assembly
 Packaging : per 100 piece
 Material : steel
 Plating : yellow chromate cadmium
 Thread : UNC 4.40



VIEW ASSEMBLY



Part Number	863009A
-------------	---------

rev	ecn no	dr	date
B	-	LGO	2004/10/01
C	LS06-0101	MPE	2006/06/27
D	LS07-0001	MPE	2007/01/02
E	LS09-0006	PCR	2009/01/08
El1	-	PK	2012/03/22
F	ELX-H-01683	PK	2012/05/09
G	ELX-H-01686	PK	2012/05/21

www.fciconnect.com		surface	ISO 1302	tolerance std	ISO 406 ISO 1101	projection	mm
Dr	JOUBERT	1997/04/01	ANGULAR	0.X	±0.1	size	A3
Eng	GOISNARD	2004/01/10	LINEAR	0.XX	±0.1	Scale	5
Chr	P.LEGARE	1997/04/01	0.XX ±2	0.XXX	±0.1	ECN	ELX-H-011686
Appr	P.LEGARE	1997/04/01	Product family		D-SUB	Spec ref	-

MALE SCREW LOCKS
 SHELLS 9 TO 37 D SUB ACCESSORIES

Rev. G
 CUSTOMER sheet 1 of 1

Mouser Electronics

Authorized Distributor

Click to View Pricing, Inventory, Delivery & Lifecycle Information:

[FCI:](#)

[863009A](#)