

PRODUCT NUMBER
98424-X52-XX-XXXLF

PLATING

S = 0.38µm GOLD/GXT ON CONTACT AREA
2µm MIN MATTE TIN ON TAIL

G = 0.76µm GOLD/GXT ON CONTACT AREA
2µm MIN MATTE TIN ON TAIL

F = GOLD FLASH ON CONTACT AREA
2µm MIN MATTE TIN ON TAIL

T = 2.0-6.0µm FULL MATTE TIN

1.27µm Ni MIN UNDERLAYER

NOTES:

- MATERIAL HOUSING: HIGH TEMP. THERMOPLASTIC UL-94VO
- = STANDARD COLOR CREAM
B = OPTIONAL COLOR BLACK
- MATERIAL TERMINAL: COPPER ALLOY
- TO DETERMINE DIMENSIONS:
N = NUMBER OF POSITIONS PER ROW
- 7N MIN. PIN RETENTION IN EITHER DIRECTION.
- PACKAGING:
= STANDARD PACKAGING IN POLYBAGS
- = POLYBAGS PACKAGING WHEN POLARISATION FEATURE APPLICABLE
U = TUBE AVAILABLE FROM 08 TO 50 POS
A = TAPE AND REEL WITH PICK UP CAP, AS AVAILABLE
K = TAPE AND REEL WITHOUT PICK UP CAP, AS AVAILABLE.
C = TAPE AND REEL WITH SPECIAL LARGE CAP, ONLY FOR 98424-Y52-06CLF FOR ALL SPECIAL PACKAGING, FCI TO BE CONTACTED
UV = TUBE WITHOUT PICK UP CAP FOR CUSTOMER DEDICATED PART
AV = TAPE & REEL WITH PICK UP CAP FOR CUSTOMER DEDICATED PART
KV = TAPE & REEL WITHOUT PICK UP CAP FOR CUSTOMER DEDICATED PART

6. DIM "C" = (N x 2) + 1.4
EXAMPLE: N = 7
DIM "c" = (7 x 2) + 1.4 = 15.4 mm

7. FOR POLARIZATION, SPECIFIED PIN
EXAMPLE : A03 = ROW A, POSITION 03 TO OMIT PIN
OMIT FROM PRODUCT NUMBER IF THIS FEATURE IS NOT APPLICABLE

8. RoHS COMPATIBLE PRODUCT SPECIFICATIONS

a - PLATING:

- "LF" MEANS THE PRODUCT IS LEAD-FREE,
2µm MINIMUM MATTE TIN OVER 1.27µm
MINIMUM NICKEL UNDERPLATE.

b - MANUFACTURING PROCESS COMPATIBILITY

- THE HOUSING WILL WITHSTAND EXPOSURE TO
260°C PEAK TEMPERATURE FOR 30 SECONDES
MAX IN A CONVECTION, INFRA-RED OR VAPOR
PHASE OR REFLOW OVEN.

c - LABELLING:

- MEETS PACKAGING SPECS AS PER GS-14-920
- THIS PRODUCT MEETS EUROPEAN DIRECTIVES
AND OTHER COUNTRY REGULATIONS AS DISCRIBED
IN GS-47-0004.

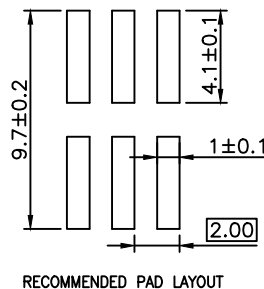
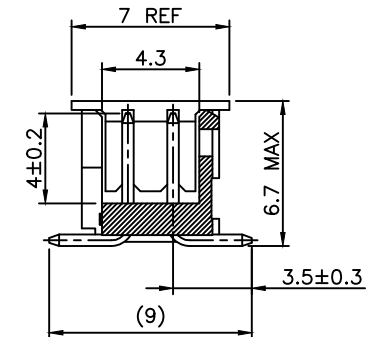
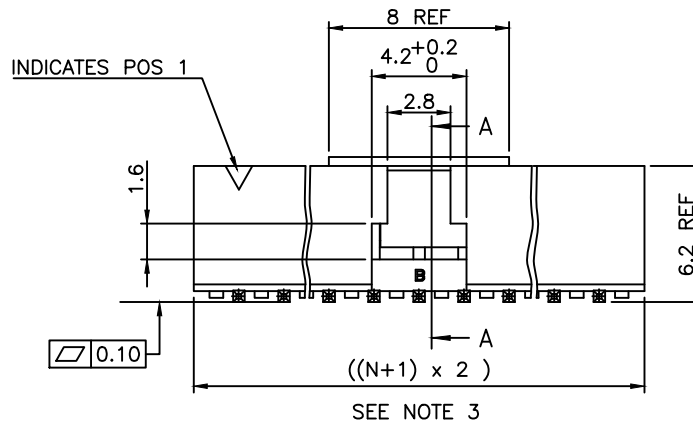
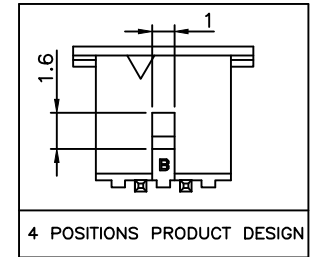
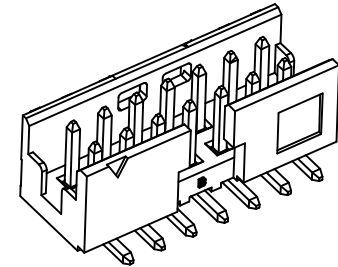
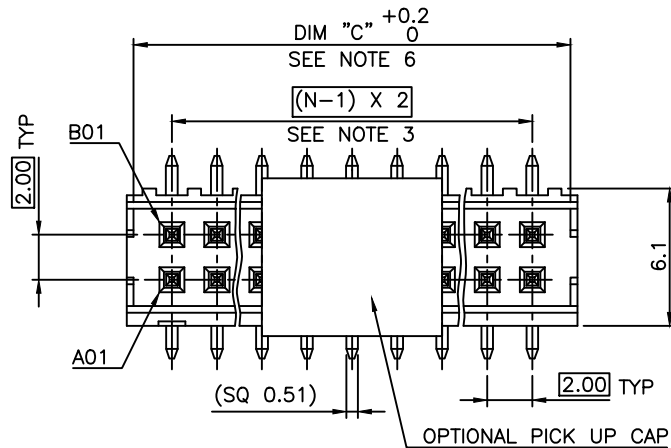
RoHS COMPATIBLE, SEE NOTE 8

POLARIZATION (SEE NOTE 7)

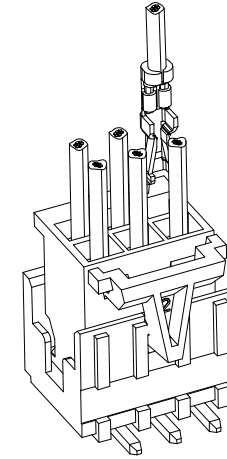
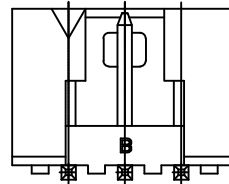
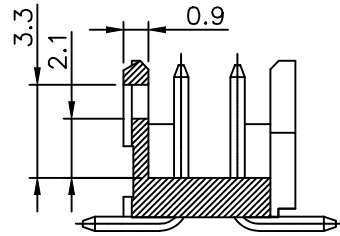
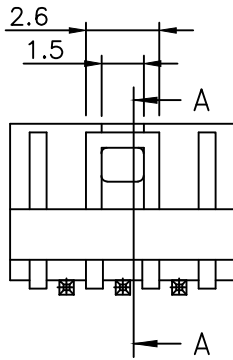
PACKAGING OPTIONAL LETTER (SEE NOTE 5)

TOTAL NB OF POSITIONS, 04 TO 50

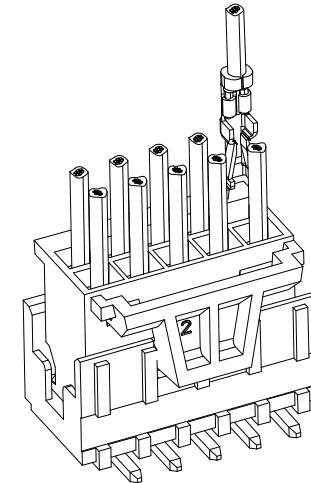
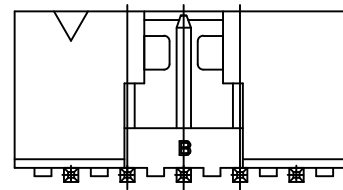
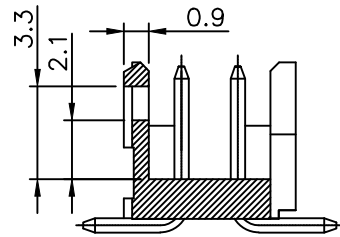
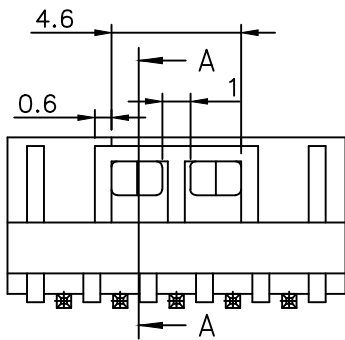
COLOR OPTION NOTE 1



| | | | | | |
|--------------------------|-----------------------|---------------------------------------|-------------------------------|--------------------------|--|
| mat'l. code SEE NOTES | | surface ISO 1302 ✓ | tolerance ISO 406 ISO 1101 | projection mm | product family MINITEK |
| ltr | ecn no dr date | tolerances unless otherwise specified | | mm | title SHR HEADER 2.00 VERTICAL SMT |
| N | F10-0007 JCO 10.01.28 | angles | X.X ±0.3 | | scale 1:1 |
| P | F11-0071 JCO 11.06.17 | linear | X.XX ±0.13 | FCI | dwg no 98424 |
| R | B-18975 LMU 14.10.01 | | X.XXX ±0.05 | | sheet 1 of 2 size A3 |
| S | B-19190 LMU 14.10.24 | dr | L.MULIN 04.09.27 | type CUSTOMER Drawing | |
| T | B-19797 AMA 14.12.16 | engr | J.COMPAGNON 04.09.27 | | |
| U | B-19988 LMU 15.01.13 | chr | | | |
| V | F-23051 AMA 16.01.15 | appd | JMC 04.09.27 | | |
| sheet index | revision sheet | V A | 1 2 | | |



2x3 POS AND 2x4 POS CONFIGURATION
NO LATCHING AVAILABLE FOR 2x2 POS



2x5 POS UP TO 2x25 POS CONFIGURATION

LATCHING FEATURES WHEN USED IN COMBINATION
WITH ACTIVE LATCH HOUSING 10073599

| | | | | | | | | | |
|-------------|----------|----------------|-------------|---------------------------------------|-------------|------------|-----------|------------------|-------------------|
| mat'l. code | | surface | | tolerance | | projection | | product family | |
| SEE NOTES | | ISO 1302 ✓ | | ISO 406 ISO 101 | | | | MINITEK | |
| ltr | ecn no | dr | date | tolerances unless otherwise specified | | | | | |
| A | F08-0113 | LMU | 08.01.17 | angles | X.X ±0.3 | | mm | | title |
| | | | | linear | X.XX ±0.13 | | ← mm → | | SHR HEADER |
| | | | | | X.XXX ±0.05 | | scale 1:1 | | 2.00 VERTICAL SMT |
| | | dr | L.MULIN | 07.11.06 | | | | | dwg no |
| | | enr | J.COMPAGNON | 07.11.06 | | | | | sheet 2 of - size |
| | | chr | | | | | | | 98424 |
| | | appd | JM.C | 07.11.06 | | | | | A3 |
| sheet index | | revision sheet | | | | | | type | |
| | | | | | | | | CUSTOMER Drawing | |



Copyright FCI