

60mm sq.

San Ace 60



Model no. 9GA0624P7G01 is not TÜV certified.

General Specifications

- Material Frame: Plastics (Flammability: UL94V-0),
Impeller: Plastics (Flammability: UL94V-0)
- Expected Life Refer to specifications (L10: Survival rate: 90% at 60°C ,
rated voltage, and continuously run in a free air state)
- Lead Wire ⊕red ⊖black (Sensor) yellow (Control) brown
(For models without PWM control function, there is no speed control wiring.)
- Storage Temperature ... -30°C to +70°C (Non-condensing)

60×60×15mm (Mass : 50g) **9GA type** **Low Power Consumption Fan**



Specifications

The following nos. **have PWM controls, pulse sensors, and ribs.**

Model No.	Rated Voltage [V]	Operating Voltage Range [V]	PWM duty cycle* [%]	Rated Current [A]	Rated Input [W]	Rated Speed [min ⁻¹]	Max. Airflow [m ³ /min] [CFM]	Max. Static Pressure [Pa] [inchH ₂ O]	SPL [dB(A)]	Operating Temperature [°C]	Expected Life [h]
9GA0612P7G01	12	10.2 to 13.8	100	0.16	1.92	5,900	0.68 24	80 0.320	38	-20 to +70	40,000/60°C (70,000/40°C)
			0	0.05	0.60	1,500	0.17 6.0	5.2 0.020	10		
9GA0612P7H01			100	0.10	1.2	4,900	0.56 19.7	55.6 0.223	34		
			0	0.03	0.36	1,300	0.15 5.3	3.9 0.015	8		
9GA0624P7G01 ^(Note)	24	20.4 to 27.6	100	0.08	1.92	5,900	0.68 24.0	80 0.320	38	-10 to +70	

Note: Fan does not rotate when PWM duty cycle is 0%.

*PWM Frequency : 25kHz

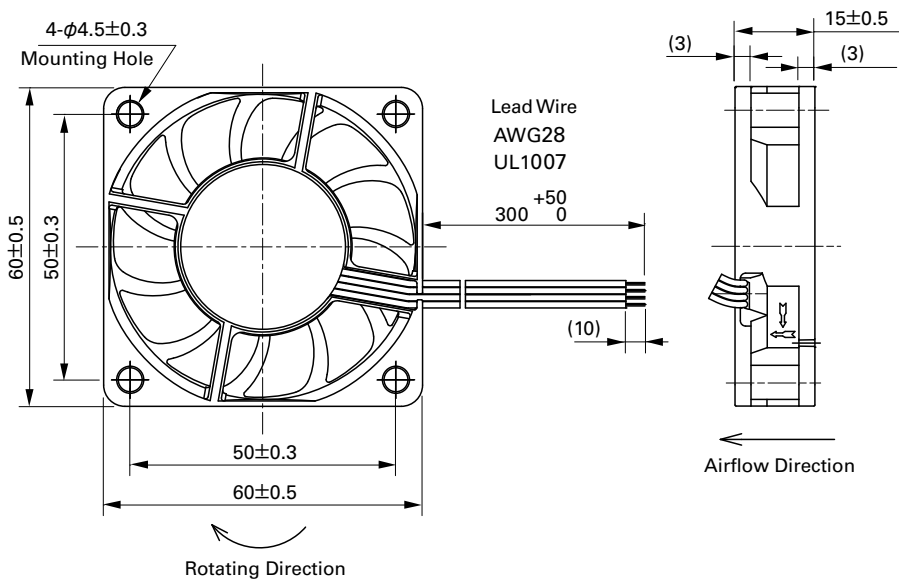
The following nos. have pulse sensors and ribs.

Model No.	Rated Voltage [V]	Operating Voltage Range [V]	Rated Current [A]	Rated Input [W]	Rated Speed [min ⁻¹]	Max. Airflow [m ³ /min] [CFM]	Max. Static Pressure [Pa] [inchH ₂ O]	SPL [dB(A)]	Operating Temperature [°C]	Expected Life [h]
9GA0612G701	12	6 to 13.8	0.16	1.92	5,900	0.68 24	80 0.320	38	-20 to +70	40,000/60°C (70,000/40°C)
9GA0612H701			0.1	1.2	4,900	0.56 19.7	55.6 0.223	34		
9GA0612M701			0.08	0.96	3,900	0.45 15.9	35.3 0.142	28		
9GA0612L701			0.03	0.36	2,800	0.31 10.9	18 0.072	17		60,000/60°C

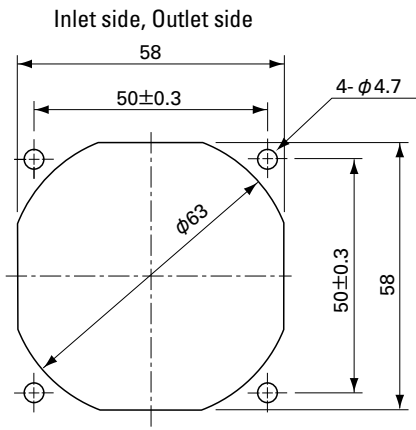
Other sensor specifications are available as options. Please refer to the index (pp. 504 to 505).

Dimensions (unit: mm)

(With PWM control function · With pulse sensor)

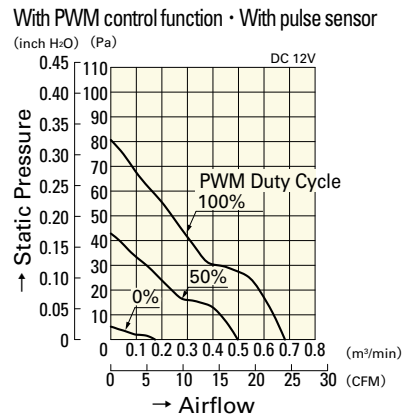


Reference Dimensions of Mounting Holes and Vent Opening (unit: mm)



Airflow - Static Pressure Characteristics

PWM Duty Cycle



9GA0612P7G01

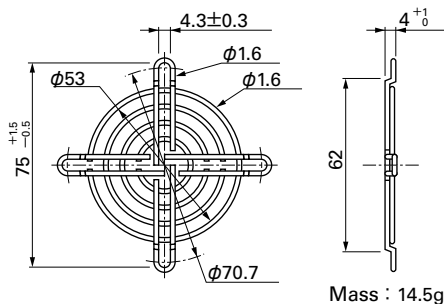
Options (unit: mm)

Finger Guards

Model : 109-139E Surface treatment : Nickel-chrome plating (silver)
: 109-139H : Cation electropainting (black)

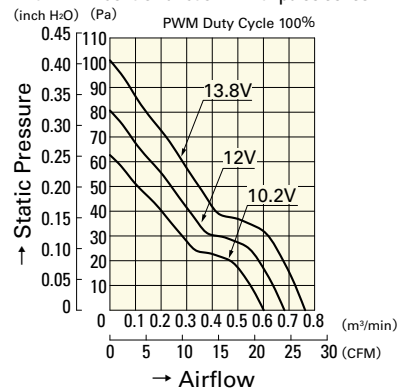
Color

Inlet side, Outlet side



Operating Voltage Range

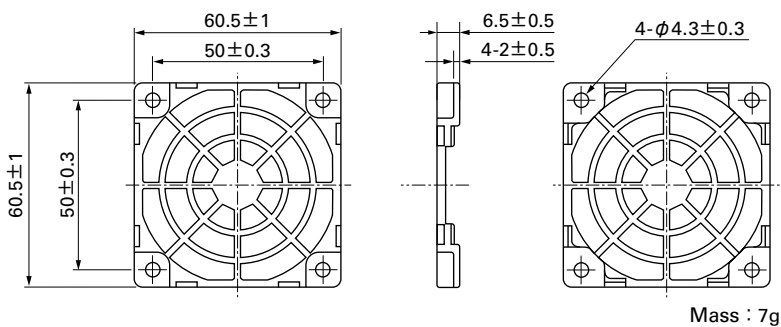
With PWM control function · With pulse sensor



9GA0612P7G01

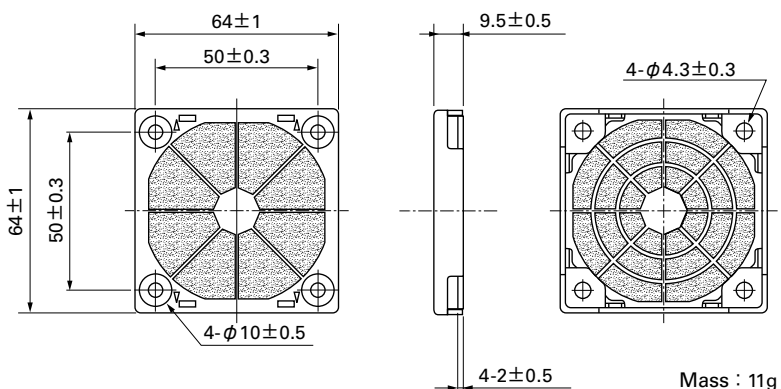
Resin Finger Guards

Model : 109-1003G



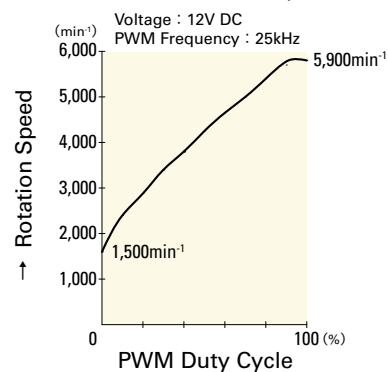
Resin Filter Kits

Model : 109-1003F13 (13PPI), 109-1003F20 (20PPI)
: 109-1003F30 (30PPI), 109-1003F40 (40PPI)



PWM Duty - Speed Characteristics Example

With PWM control function · With pulse sensor



9GA0612P7G01

60mm sq.

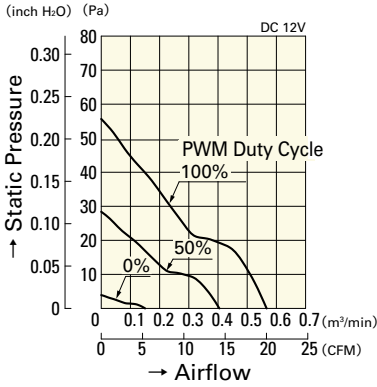
San Ace 60

60×60×15mm [Mass : 50g]

Airflow - Static Pressure Characteristics

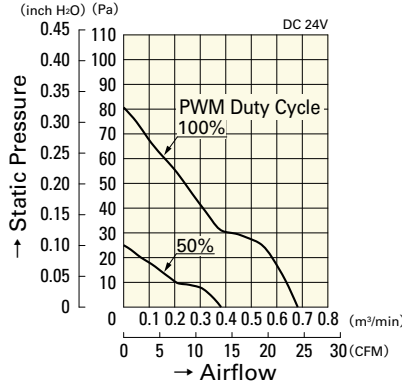
PWM Duty Cycle

With PWM control function · With pulse sensor



9GA0612P7H01

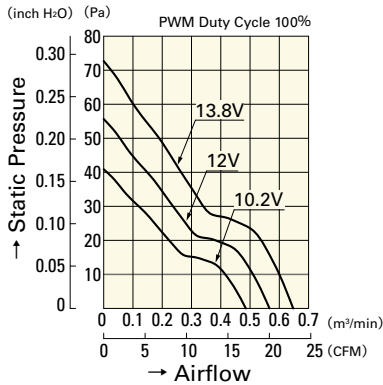
With PWM control function · With pulse sensor



9GA0624P7G01

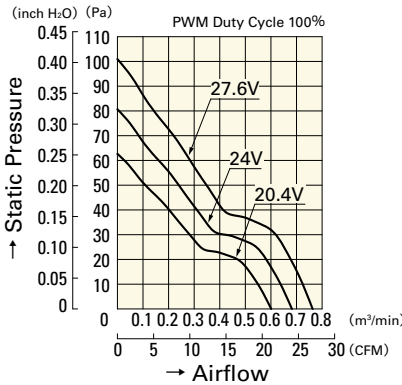
Operating Voltage Range

With PWM control function · With pulse sensor



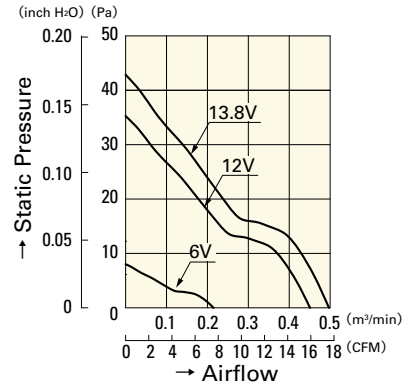
9GA0612P7H01

With PWM control function · With pulse sensor



9GA0624P7G01

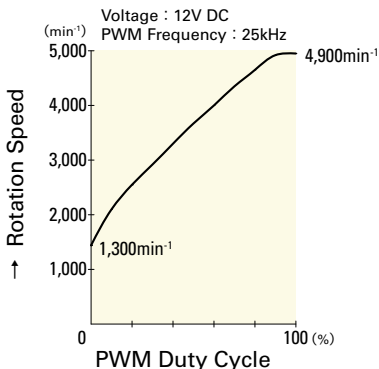
With pulse sensor



9GA0612M701

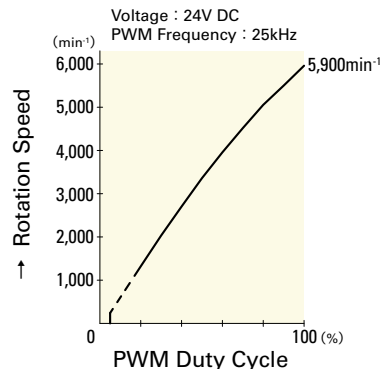
PWM Duty - Speed Characteristics Example

With PWM control function · With pulse sensor

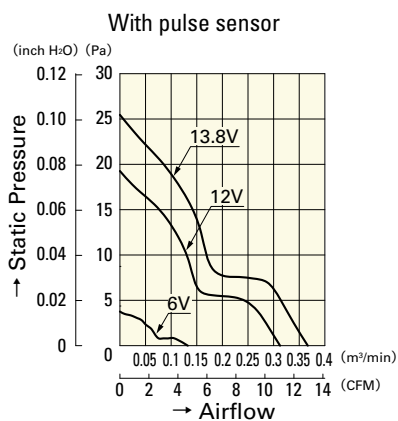


9GA0612P7H01

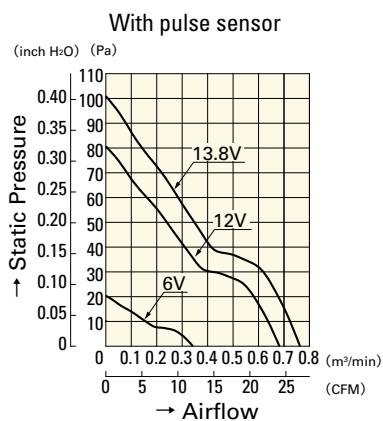
With PWM control function · With pulse sensor



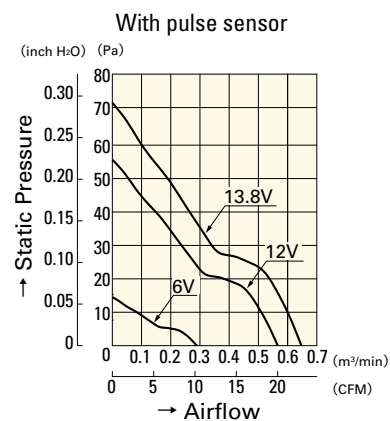
9GA0624P7G01



9GA0612L701



9GA0612G701



9GA0612H701

Mouser Electronics

Authorized Distributor

Click to View Pricing, Inventory, Delivery & Lifecycle Information:

[Sanyo Denki:](#)

[9GA0612P7H01](#) [9GA0612P7G01](#) [9GA0612L701](#) [9GA0612G701](#) [9GA0612H701](#) [9GA0612M701](#) [9GA0624P7G01](#)