

1

2

3

4

5

6

7

A

A

B

B

C

C

D

D

E

E

F

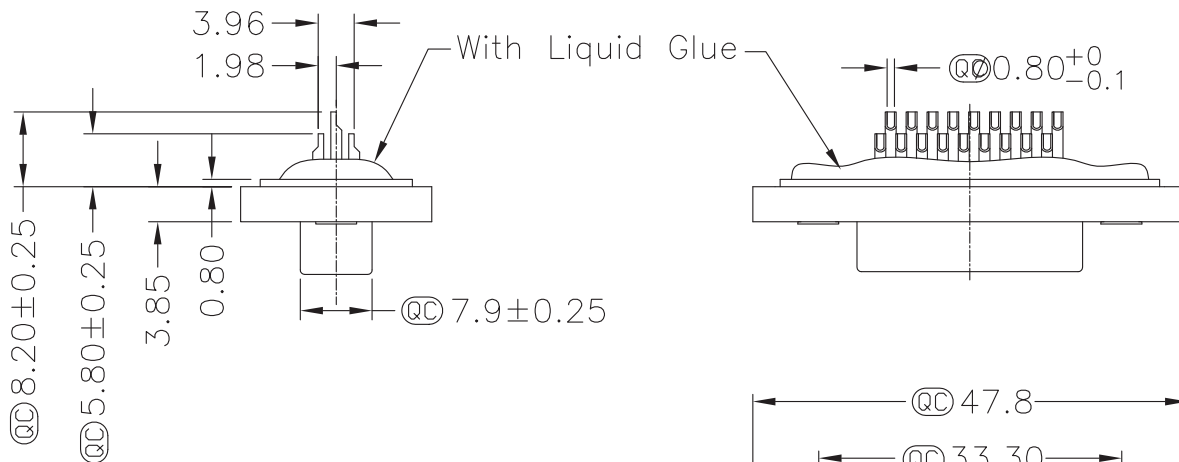
F

G

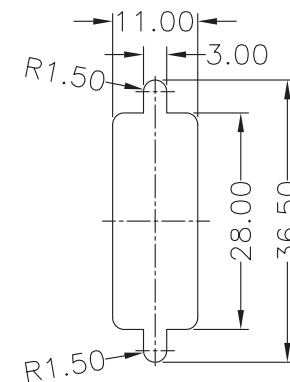
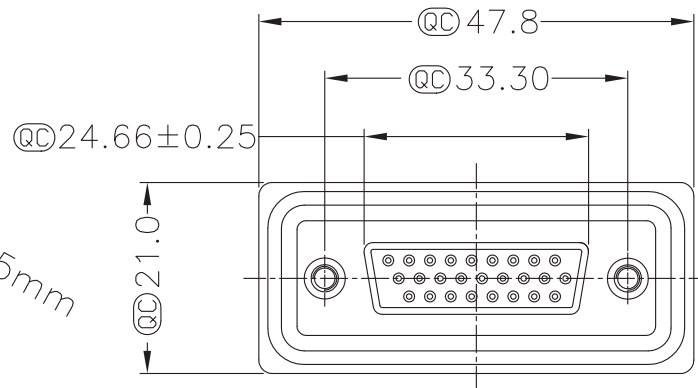
G

H

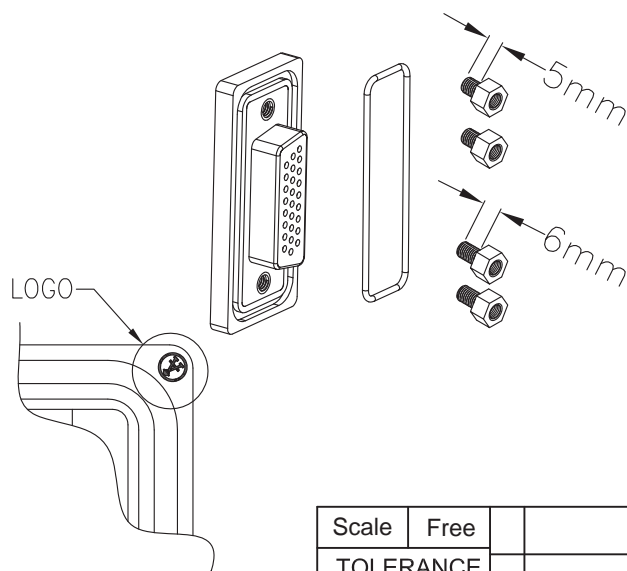
H



Screw L=5.0 For Panel Thickness Under 1.2mm
 Screw L=6.0 For Panel Thickness Between 1.2~2.0mm



Recommended Panel Cut-Out



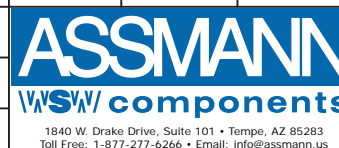
Material:

- Waterproof rate: IP67
- Connector: Black, Nylon+GF
- Pin: Copper alloy, Gold plated
- Applicable Wire range: 24AWG - 28AWG

Unit: mm



Scale	Free					Date	Name	Title Waterproof DSub connector High Density, Solder Cup 26 pin, Female
TOLERANCE						Drawn	30.11.11	
X.X	±0.25					Approved		ASSMANN WSW-No.
X.XX	±0.10							A-HDF-26-LL-WP
X.XXX	±0.05							Drawing-No.
DIM	TOL							rev00
X.°	±1°							Replace
X.X°	±X°							1/1
Angle	TOL	Id.	Modification	Date	Name			



1840 W. Drake Drive, Suite 101 • Tempe, AZ 85283
 Toll Free: 1-877-277-6266 • Email: info@assmann.us

1

2

3

4

5

6

7