



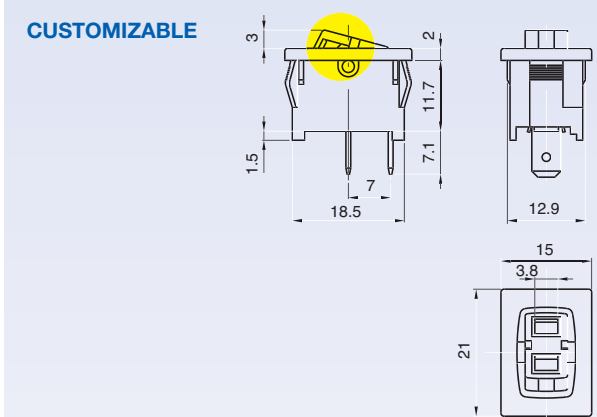
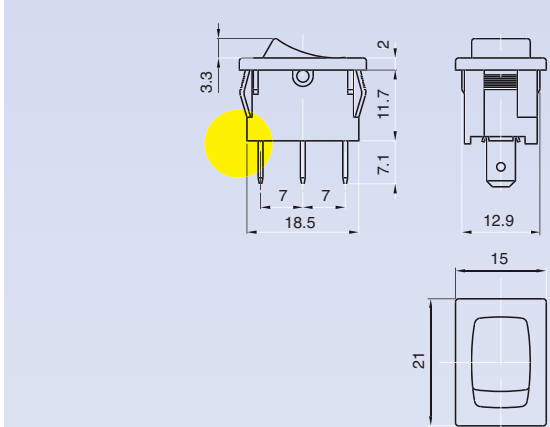
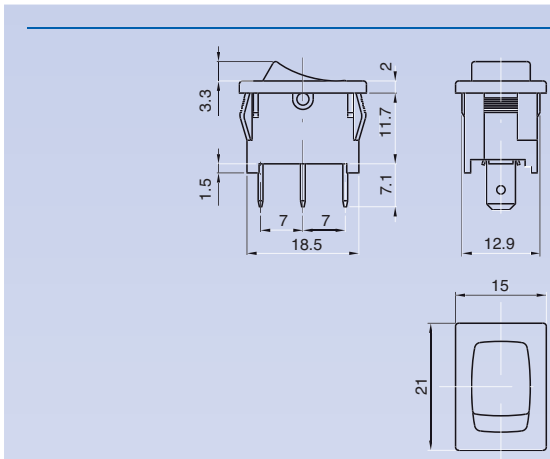
A1

TYPICAL APPLICATIONS	Small appliances
FUNCTIONS	<ul style="list-style-type: none"> ■ SPST, momentary or not ■ SPDT, momentary or not
CYCLE No.	50.000
CUT OUT	19x13 mm
AMBIENT TEMPERATURE	125 °C
GWT	850 °C
GWT NO FLAME (<2sec)	750 °C on demand



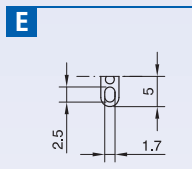
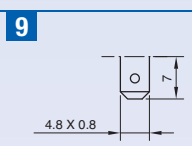
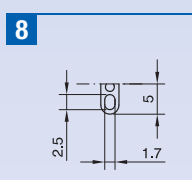
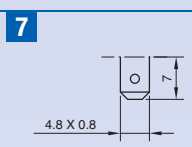
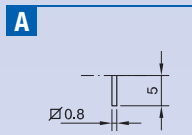
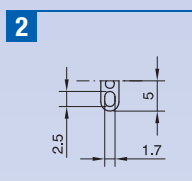
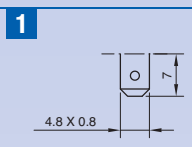
A 1

DRAWING



?

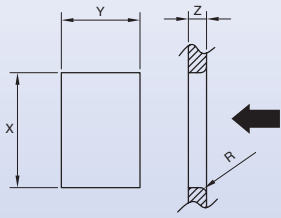
TERMINAL



A1PRT



WATERPROOF CAP



Z	Y	X
0,75 ... 1,25	13,0 ±0,1	19,0 ±0,1
1,25 ... 2,0	13,0 ±0,1	19,3 ±0,2
2,0 ... 3,0	13,0 ±0,1	19,6 ±0,2

TERMINAL	FUNCTION	RATING	BODY COLOUR	ROCKER COLOUR	MARKING COLOUR	MARKING
A	1					0 0 0

?	?	?	?	?	?	0	0	0
---	---	---	---	---	---	---	---	---

FUNCTION

1

3 Terminal 1 - 2 - 9 - E

4 Terminal 1 - 2 - 7 - 8

A Terminal 1 - 2 - 7 - 8

B Terminal 1 - 2

RATING

2

Terminal 1 - 2
Function 4 - A - B

6 (2) A / 250 VAC
3 (1) A / 250 VAC - 5E4
T125/55 °C - T125 °C
EN 61058

6 A - 125 / 250 VAC
1/10 HP - 125 VAC
1/6 HP - 250 VAC
T105 °C
UL 1054
CSA C22.2

3

Terminal 1 - 2 - 7 - 8 - 9 - A - E
Function 1 - 3

10 (4) A / 250 VAC
6 (6) A / 250 VAC
6 (4) A / 250 VAC - 5E4
T125/55 °C - T125 °C
EN 61058

10 A - 125 / 250 VAC
1/3 HP - 125 VAC
1/2 HP - 250 VAC
T105 °C
UL 1054
CSA C22.2

7

Terminal 7 - 8
Function 4 - A

10 (2) A / 250 VAC
6 (1) A / 250 VAC - 5E4
T125/55 °C - T125 °C
EN 61058

10 A - 125 / 250 VAC
1/10 HP - 125 VAC
1/6 HP - 250 VAC
T105 °C
UL 1054
CSA C22.2

B

Terminal 1 - 2 - 9 - E
Function 1 - 3

13 (4) A / 250 VAC
6 (6) A / 250 VAC - 5E4
T125/55 °C - T125 °C
EN 61058

15 A / 125 VAC
10 A / 250 VAC
1/3 HP - 125 VAC
1/2 HP - 250 VAC
T105 °C
UL 1054
CSA C22.2

BODY COLOUR

1 black

2 white

9 red

X custom

ROCKER COLOUR

1 black

2 white

9 red

X custom

MARKING COLOUR

0 none

1 black

2 white

5 grey

7 light blue

8 red

9 orange

X custom

MARKING

0

1

2

3

4

5

6

8

C

F

G

Z

R

X



A1

TYPICAL APPLICATIONS	Small appliances
FUNCTIONS	<ul style="list-style-type: none"> ■ SPST, illuminated or not ■ SPDT ■ SPCO
CYCLE No.	50.000
CUT OUT	19x13 mm
AMBIENT TEMPERATURE	125 °C
GWT	850 °C
GWT NO FLAME (<2sec)	750 °C on demand



A 1

DRAWING

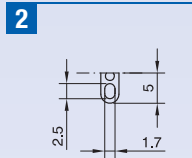
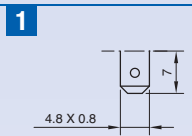
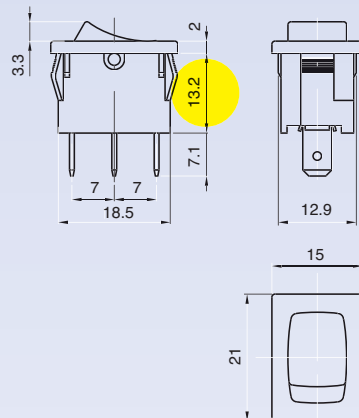
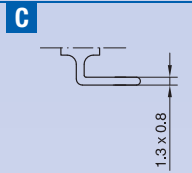
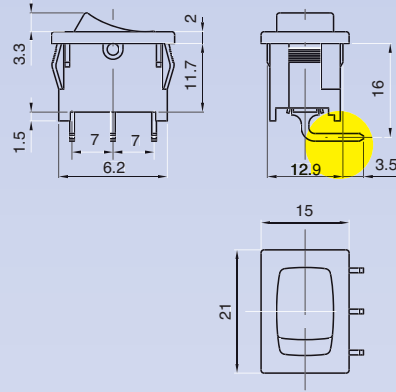
?

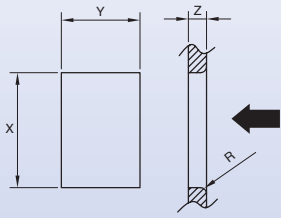
TERMINAL



A1PRT

WATERPROOF CAP





Z	Y	X
0,75 ... 1,25	13,0 ±0,1	19,0 ±0,1
1,25 ... 2,0	13,0 ±0,1	19,3 ±0,2
2,0 ... 3,0	13,0 ±0,1	19,6 ±0,2

TERMINAL	FUNCTION	RATING	BODY COLOUR	ROCKER COLOUR	MARKING COLOUR	MARKING
A	1					0 0 0

?	?	?	?	?	?	0	0	0
---	---	---	---	---	---	---	---	---

FUNCTION

1 Terminal C



3 Terminal C



5 Terminal 1 - 2



6 Terminal 1 - 2



RATING

3

Terminal 1 - 2 - C
Function 1 - 3 - 6
10 (4) A / 250 VAC
6 (6) A / 250 VAC
6 (4) A / 250 VAC - 5E4
T125/55 °C - T125 °C
EN 61058

10 A - 125 / 250 VAC
 1/3 HP - 125 VAC
 1/2 HP - 250 VAC
 T105 °C
 UL 1054
 CSA C22.2

6

Terminal 1 - 2
Function 5
10 (2) A / 250 VAC
6 (1) A / 250 VAC - 5E4
T125/55 °C - T125 °C
µ disconnection
EN 61058

6 A - 125 / 250 VAC
 1/8 HP - 125 VAC
 1/6 HP - 250 VAC
 T105 °C
 UL 1054
 CSA C22.2

B

Terminal 1
Function 6
13 (4) A / 250 VAC
6 (6) A / 250 VAC - 5E4
T125/55 °C - T125 °C
EN 61058

15 A / 125 VAC
 10 A / 250 VAC
 1/3 HP - 125 VAC
 1/2 HP - 250 VAC
 T105 °C
 UL 1054
 CSA C22.2

Terminal 1 - 2
Function 5
13 (4) A / 250 VAC
6 (6) A / 250 VAC - 5E4
T125/55 °C - T125 °C
µ disconnection
EN 61058

15 A / 125 VAC
 10 A / 250 VAC
 1/3 HP - 125 VAC
 1/2 HP - 250 VAC
 T105 °C
 UL 1054
 CSA C22.2

BODY COLOUR

1

black

2

white

9

red

X

custom

ROCKER COLOUR

1

black

2

white

9

red

ILLUMINATED ✨

G

red

H

orange

E

green

L

white

X

custom

MARKING COLOUR

0

none

1

black

2

white

5

grey

7

light blue

8

red

9

orange

X

custom

MARKING

0



1



2



3



4



5



6



8



9



C



F



G



Z



S



R



X

