

DETAILS

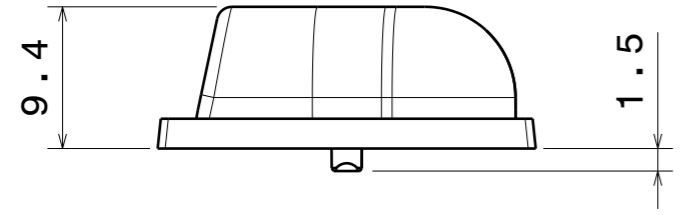
| | |
|------------------------|---------------------|
| Product Number | C14031_STRADA-SQ-T4 |
| Family | Strada-SQ |
| Type | Lens |
| Color | clear |
| Diameter | 25x25 mm |
| Height | 9,4 mm |
| Style | square |
| Optic Material | PMMA |
| Holder Material | |
| Fastening | screw, pin |
| Status | production ready |
| ROHS Compliant | Yes |
| Date Updated | 7/06/2016 |



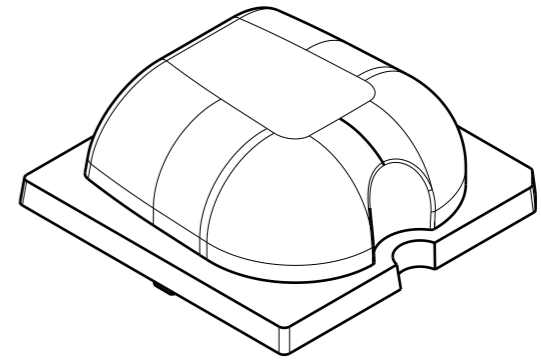
OPTICAL PROPERTIES

| LED | Viewing Angle | Light Beam | Efficiency | cd/lm | Connector |
|-----------|----------------|---------------|------------|------------|-----------|
| MK-R | asymmetric deg | Streetligh... | 92 % | 0.480 | - |
| LUXEON M | asymmetric deg | Streetligh... | 92 % | 0.500 | - |
| LUXEON MZ | asymmetric deg | Streetligh... | 94 % | 0.680 | - |
| MHB-A | sim: Asymmetri | Streetligh... | - | sim: 0.000 | - |
| XHP50 | Asymmetric deg | Streetligh... | 93 % | 0.550 | - |
| Duris S8 | sim: Asymmetri | Streetligh... | sim: 93 % | sim: 0.000 | - |
| Duris P10 | sim: Asym | Streetligh... | sim: 92 % | sim: 0.523 | - |

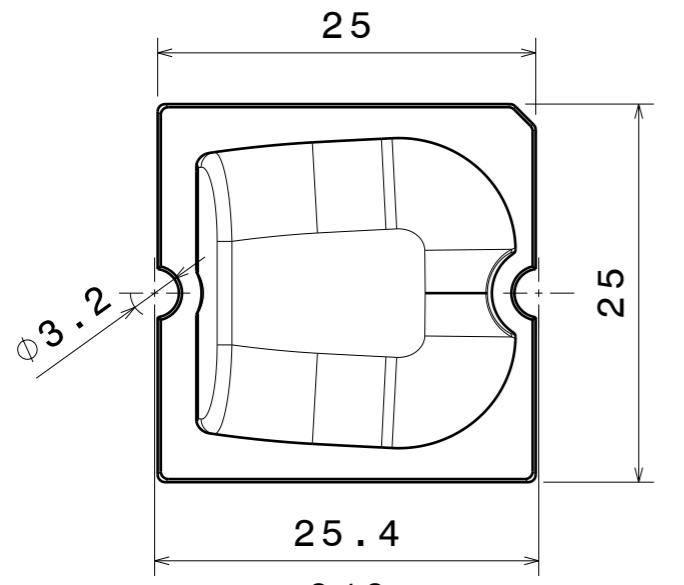
H G F E D C B A



Front view

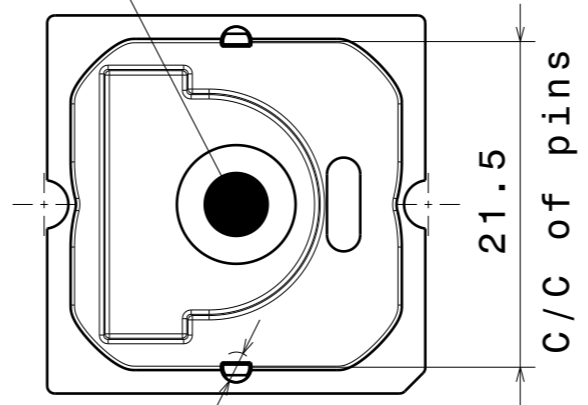


Isometric view
Scale: 2:1



Top view

LED position



Bottom view

Tolerances if not otherwise shown
According to DIN ISO 2768-1
Linear measures:
Up to 30mm class M, otherwise class C.
According to DIN ISO 2768-2
Form and position: class L

LEDiL LediL Oy
Salorankatu 10
FIN 24240 SALO
Finland

THIRD ANGLE PROJECTION:

DRAWING TITLE
STRADA-SQ-T4 Mechanical Drawing

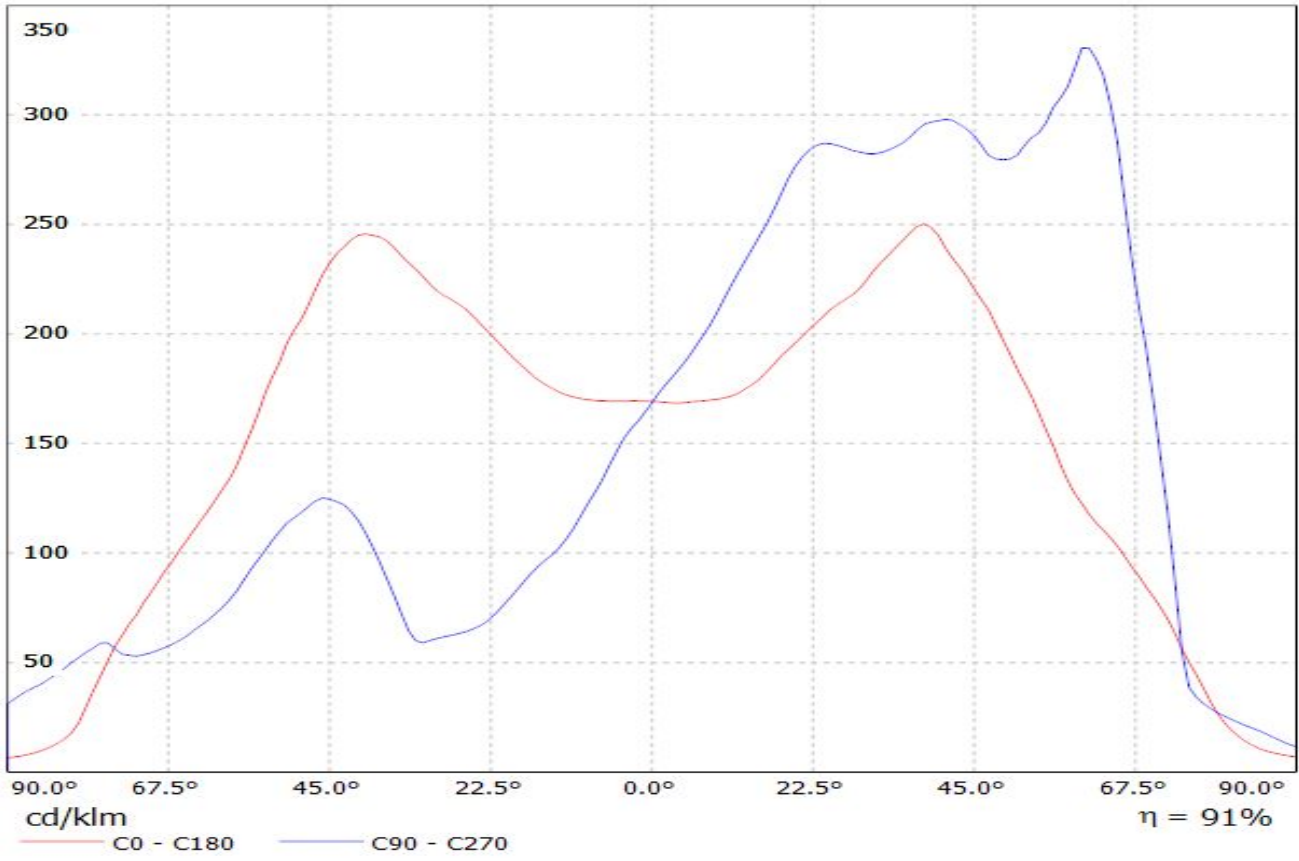
This drawing is the property of LEDiL Oy. It may not be reproduced, copied or communicated without a written agreement with LEDiL Oy."

| | | | |
|------|-------------|--|--|
| SIZE | PART NUMBER | | |
| A3 | - | | |

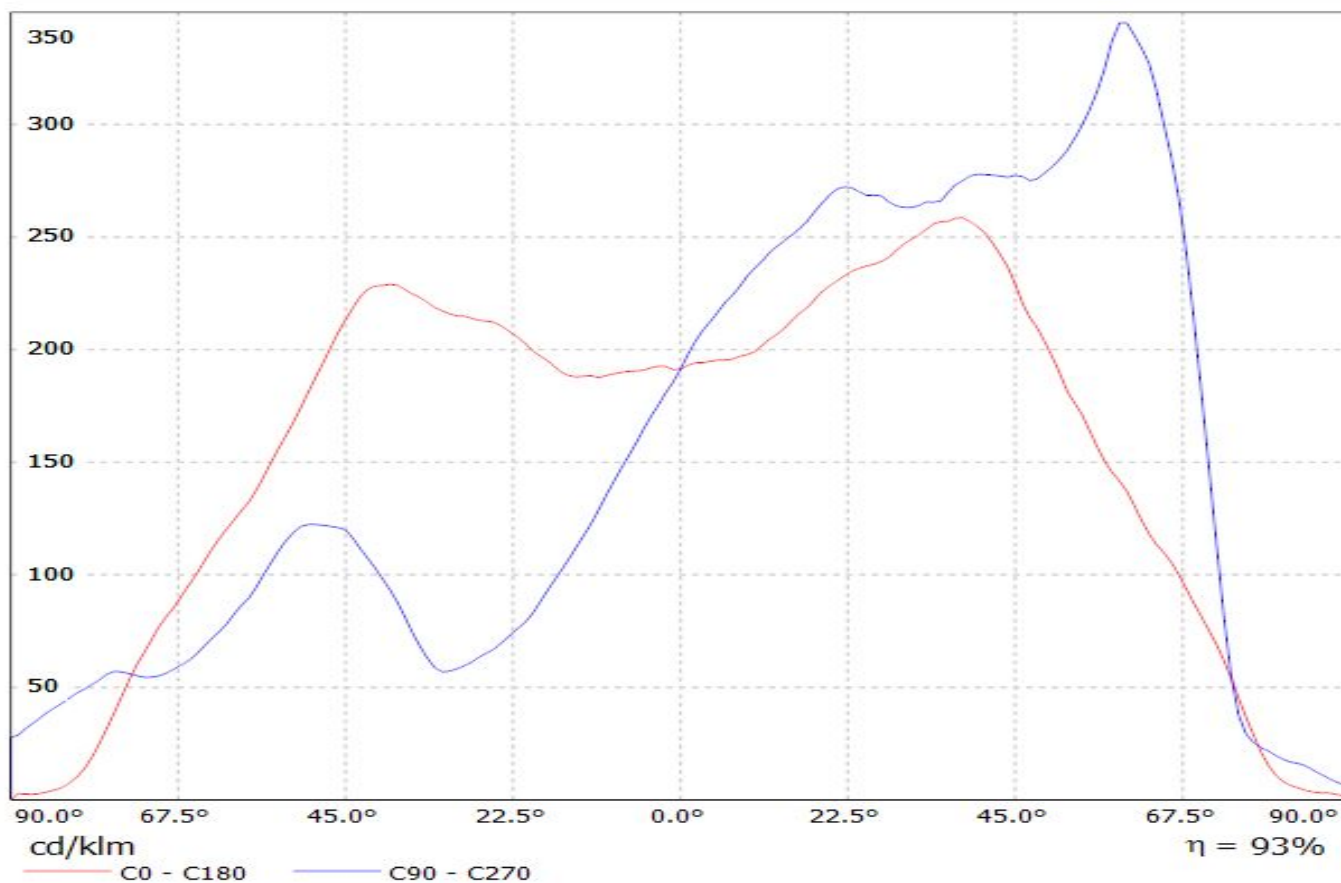
| | | | | | |
|-------|-----|--------|---|-------|-----|
| SCALE | 2:1 | WEIGHT | - | SHEET | 1/1 |
|-------|-----|--------|---|-------|-----|

H G B A

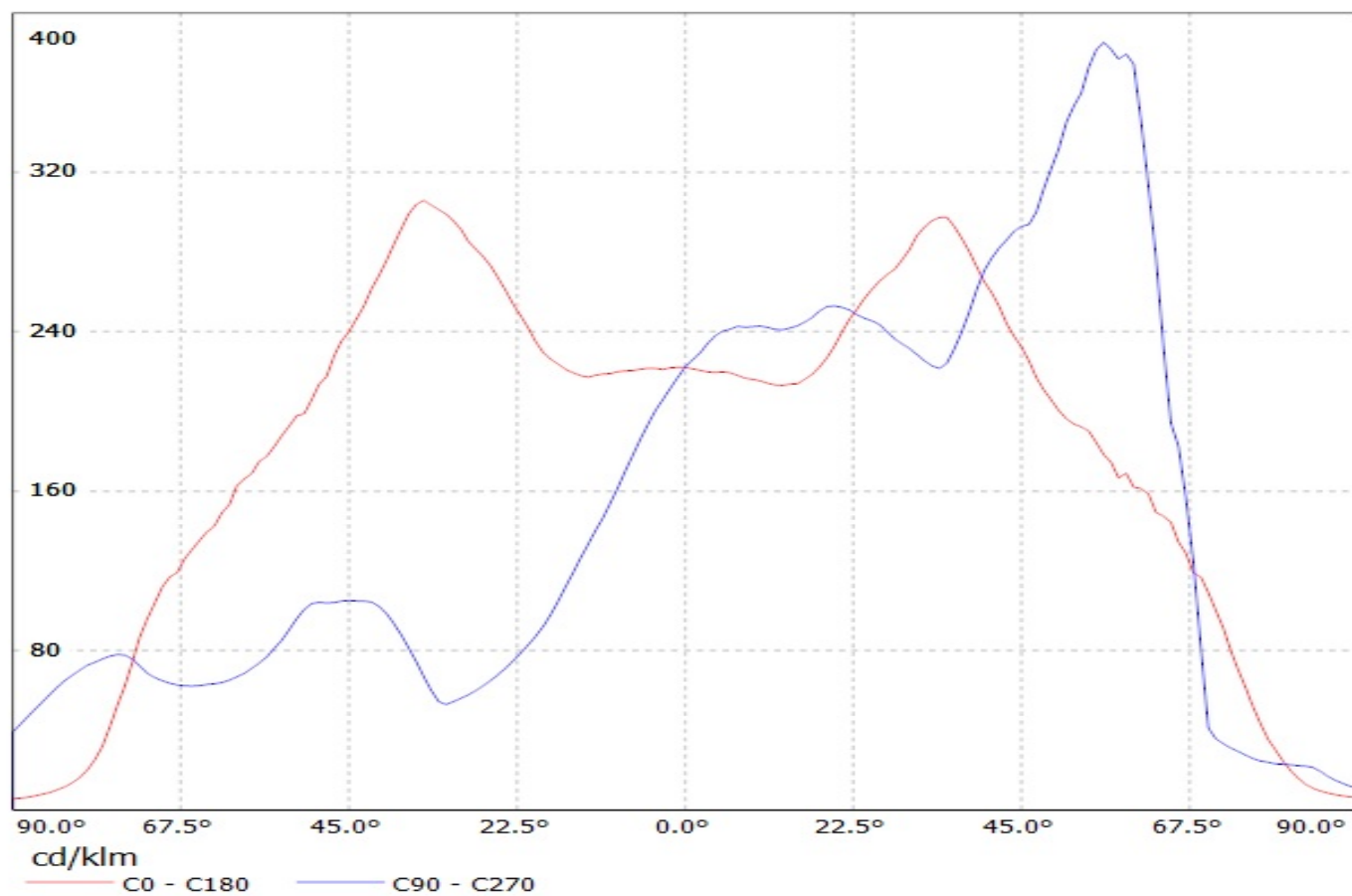
Luminaire: LEDiL Oy STRADA-SQ-T4_(MK-R)
Lamps: 1 x CREE_MK-R_356.736lm@250mA_P=2.83786W_I=249.9mA



Luminaire: LEDiL Oy STRADA-SQ-T4_(LuxM)
Lamps: 1 x Luxeon M LXR7-SW30 360lm@250mA CCT:3000K

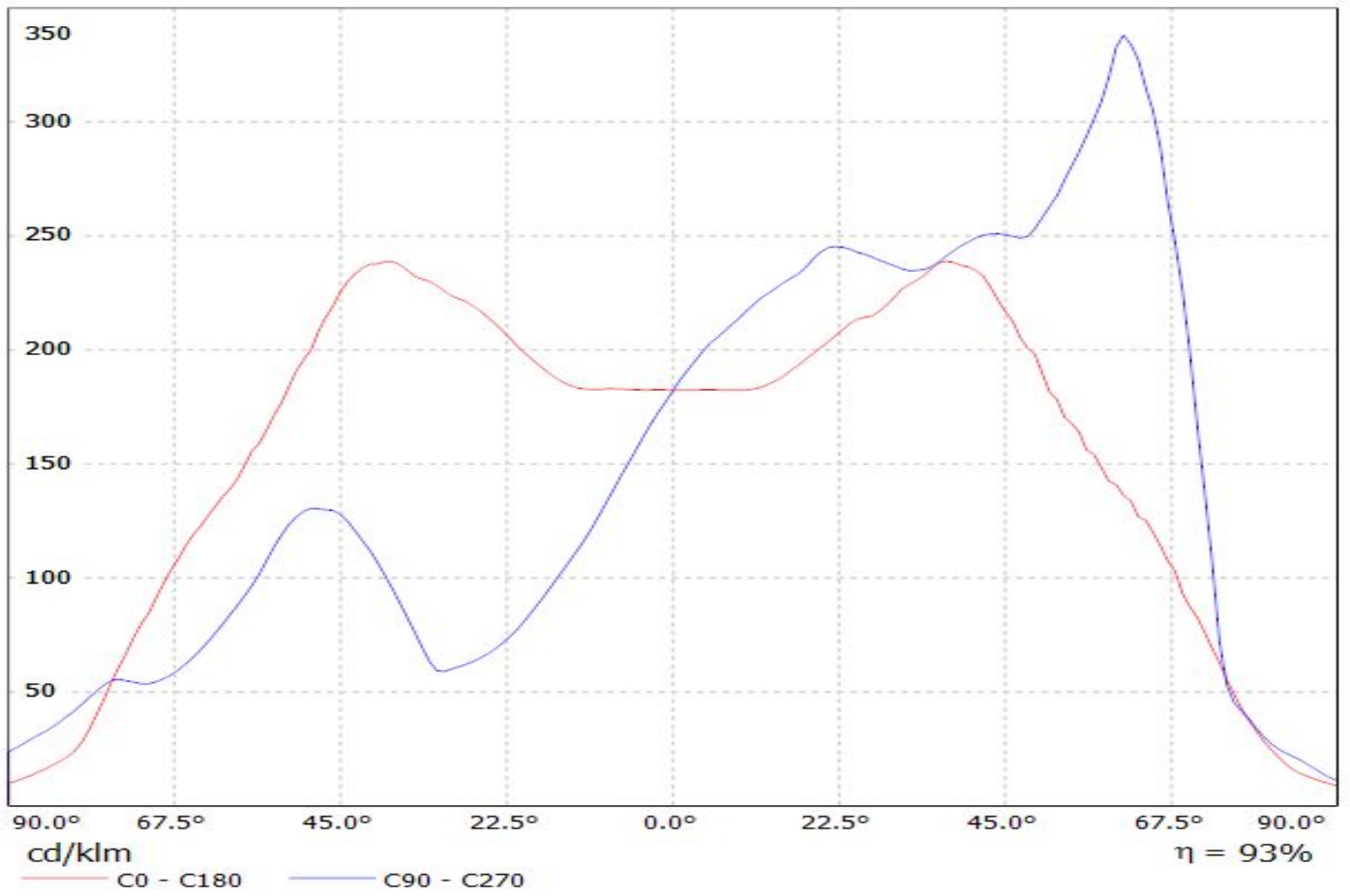


Luminaire: LEDiL Oy C14031_STRADA-SQ-T4_(Luxeon_MZ) Eff: 94%
Lamps: 1 x Luxeon_MZ_263.325lm@250mA_P=2.7414W_I=249.9mA



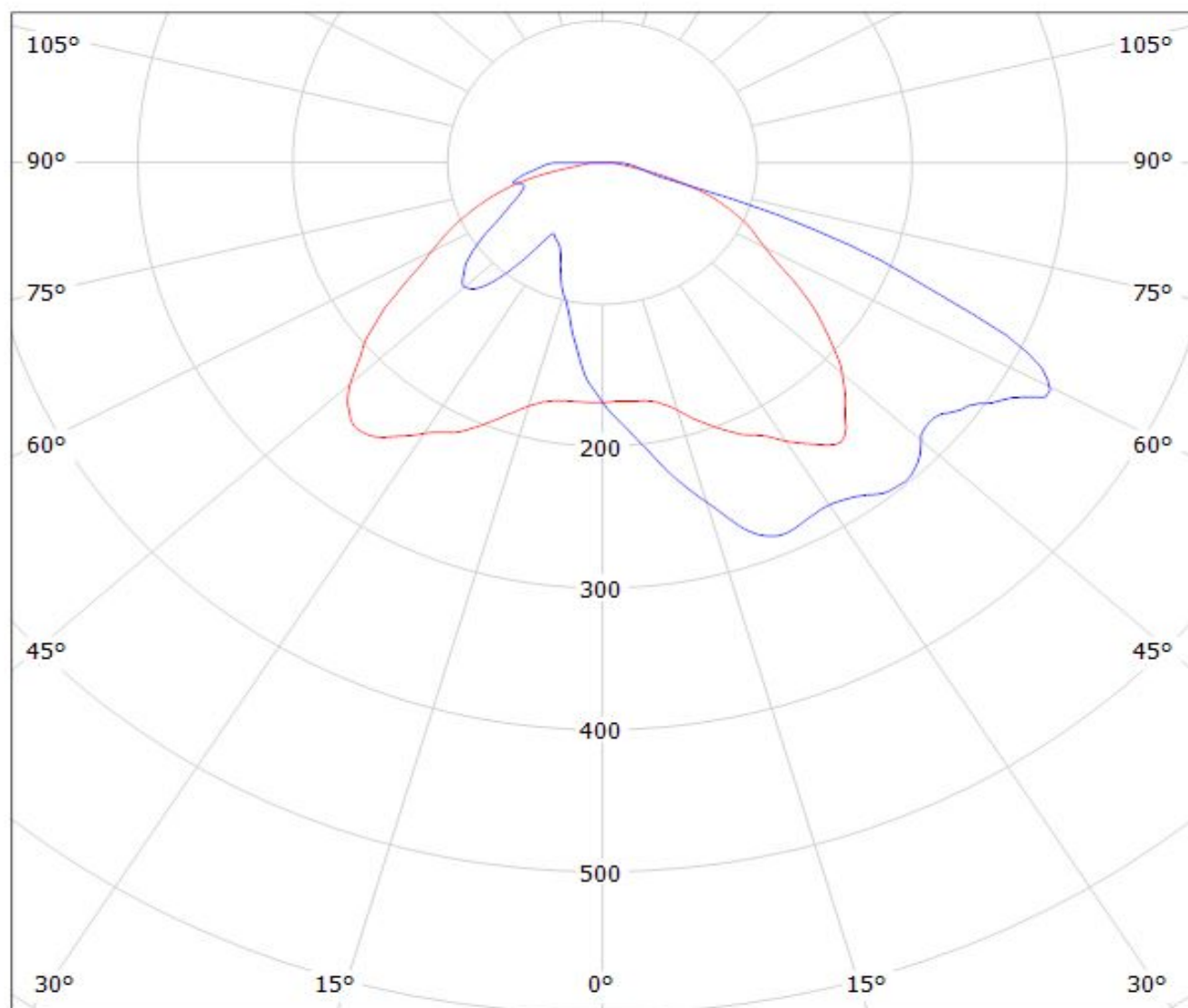
Luminaire: LEDiL Oy C14031_STRADA-SQ-T4_(XHP50_cool_white)

Lamps: 1 x CREE_XHP50_cool_white_246.221lm@250mA_P=1.42945W_I=249.9mA



Luminaire: LEDiL Oy STRADA-SQ-T4_(MK-R)

Lamps: 1 x CREE_MK-R_356.736lm@250mA_P=2.83786W_I=249.9mA



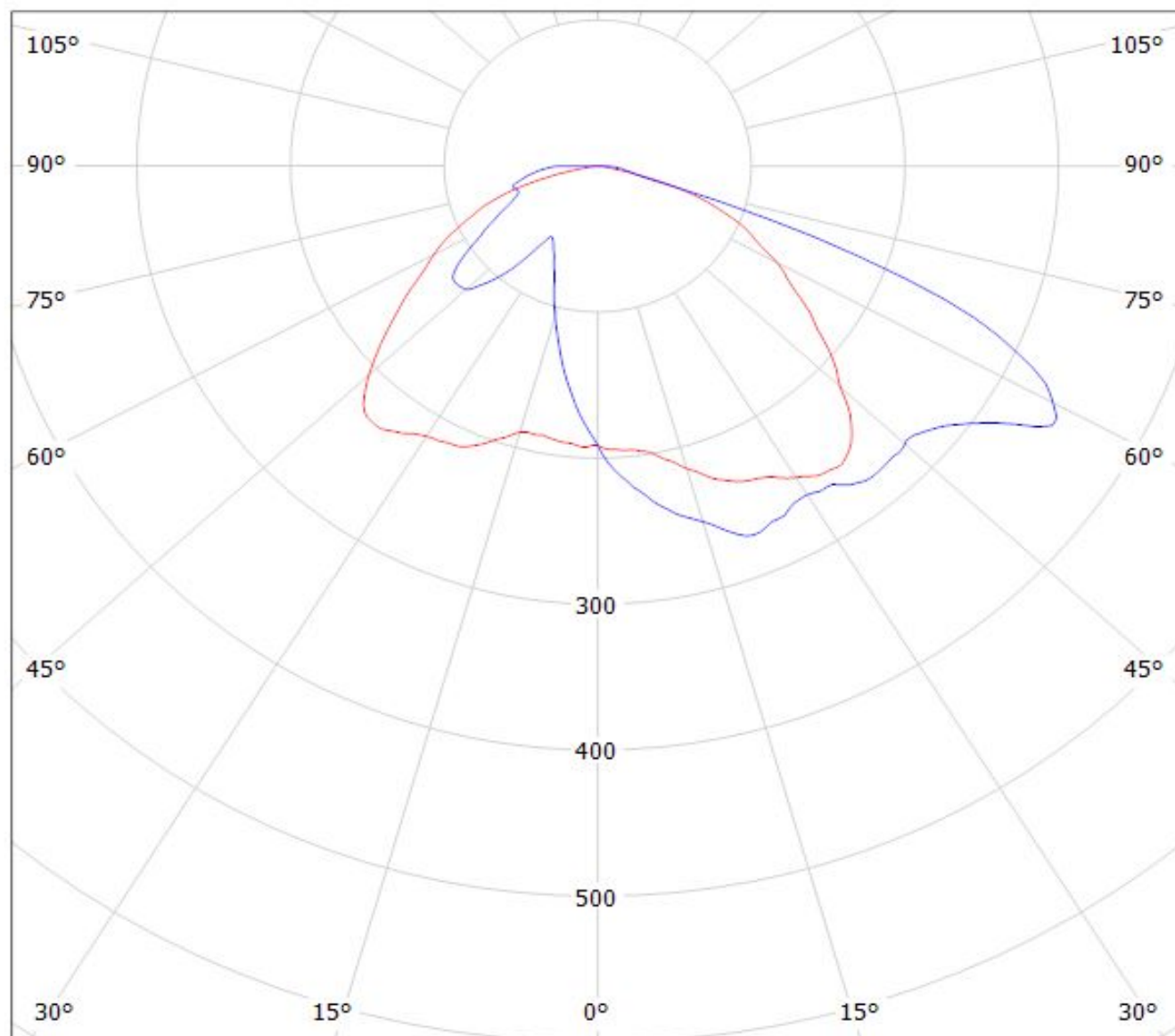
cd/klm

— C0 - C180

— C90 - C270

$\eta = 91\%$

Luminaire: LEDiL Oy STRADA-SQ-T4_(LuxM)
Lamps: 1 x Luxeon M LXR7-SW30 360lm@250mA CCT:3000K



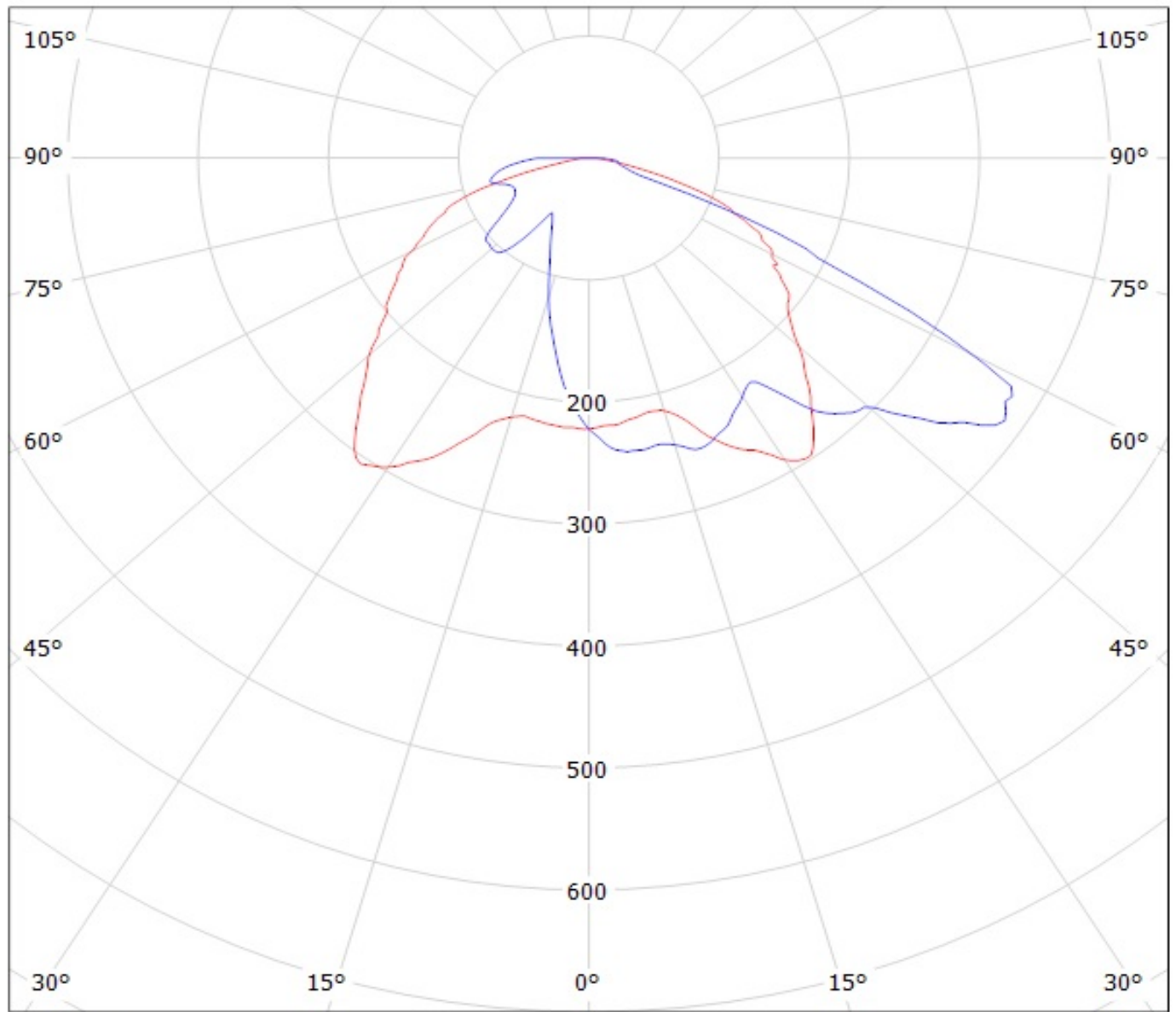
cd/klm

— C0 - C180

— C90 - C270

$\eta = 93\%$

Luminaire: LEDiL Oy C14031_STRADA-SQ-T4_(Luxeon_MZ) Eff: 94%
Lamps: 1 x Luxeon_MZ_263.325lm@250mA_P=2.7414W_I=249.9mA

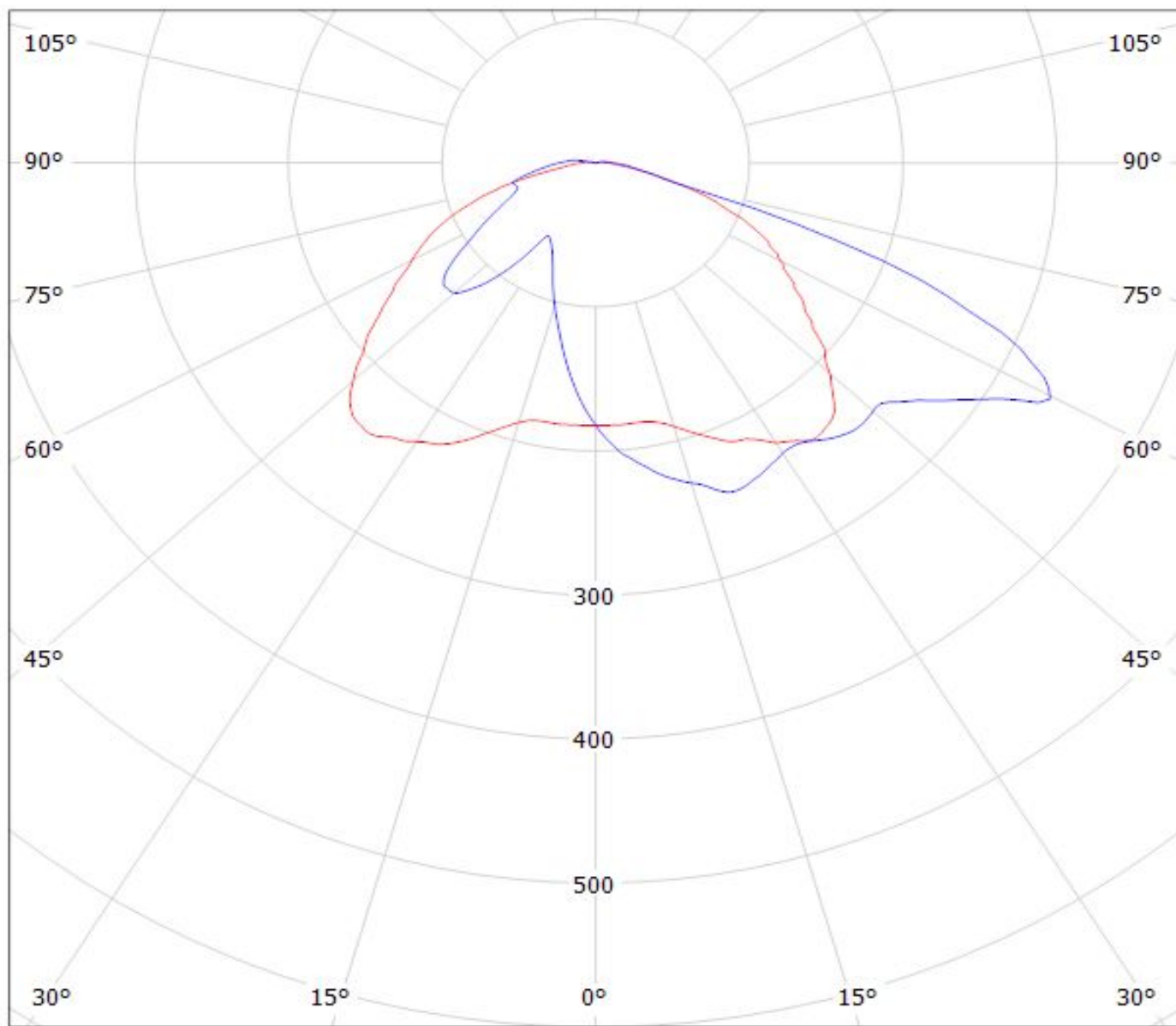


cd/klm

— C0 - C180 — C90 - C270

Luminaire: LEDiL Oy C14031_STRADA-SQ-T4_(XHP50_cool_white)

Lamps: 1 x CREE_XHP50_cool_white_246.221lm@250mA_P=1.42945W_I=249.9mA



cd/klm

— C0 - C180

— C90 - C270

$\eta = 93\%$

NOTE: The typical divergence will be changed by different color, chip size and chip position tolerance. The typical total divergence is the full angle measured where the luminous intensity is half of the peak value.