

DATA SHEET

SURFACE MOUNT MULTILAYER CERAMIC CAPACITORS

General purpose & High capacitance

Class 2, X5R

4 V TO 50 V

100 pF to 100 μ F

RoHS compliant & Halogen free



SCOPE

This specification describes X5R series chip capacitors with lead-free terminations.

APPLICATIONS

PCs, Hard disk, Game PCs
 Power supplies
 DVD players
 Mobile phones
 Data processing

FEATURES

Supplied in tape on reel
 Nickel-barrier end termination
 RoHS compliant
 Halogen free compliant

ORDERING INFORMATION - GLOBAL PART NUMBER, PHYCOMP

CTC & I2NC

All part numbers are identified by the series, size, tolerance, TC material, packing style, voltage, process code, termination and capacitance value.

YAGEO BRAND ordering code

GLOBAL PART NUMBER (PREFERRED)

CC xxxx x x **X5R** x **BB** xxx
 (1) (2) (3) (4) (5)

(1) SIZE – INCH BASED (METRIC)

0201 (0603)
 0402 (1005)
 0603 (1608)
 0805 (2012)
 1206 (3216)
 1210 (3225)

(2) TOLERANCE

K = ±10%
 M = ±20%

(3) PACKING STYLE

R = Paper/PE taping reel; Reel 7 inch
 K = Blister taping reel; Reel 7 inch
 P = Paper/PE taping reel; Reel 13 inch
 F = Blister taping reel; Reel 13 inch
 C = Bulk case

(4) RATED VOLTAGE

4 = 4 V
 5 = 6.3 V
 6 = 10 V
 7 = 16 V
 8 = 25 V
 9 = 50 V

(5) CAPACITANCE VALUE

2 significant digits+number of zeros
 The 3rd digit signifies the multiplying factor, and letter R is decimal point
 Example: 103 = 10 × 10³ = 10,000 pF = 10 nF

CONSTRUCTION

The capacitor consists of a rectangular block of ceramic dielectric in which a number of interleaved metal electrodes are contained. This structure gives rise to a high capacitance per unit volume.

The inner electrodes are connected to the two end terminations and finally covered with a layer of plated tin (NiSn). The terminations are lead-free. A cross section of the structure is shown in Fig. 1.

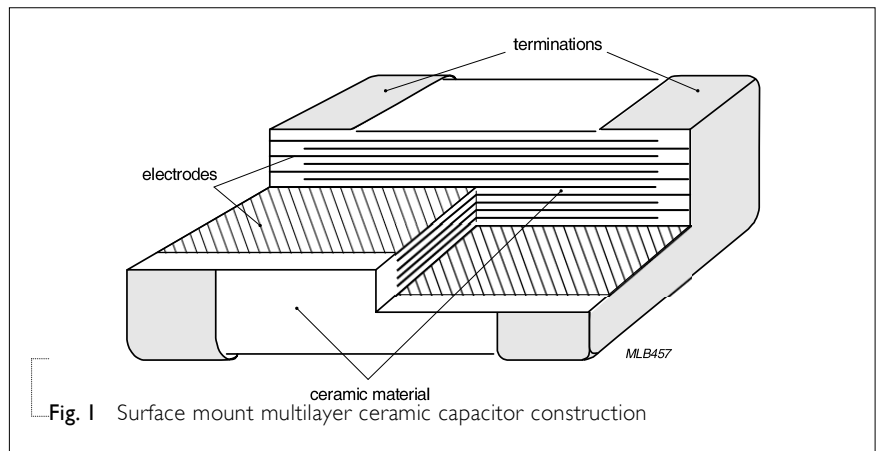


Fig. 1 Surface mount multilayer ceramic capacitor construction

DIMENSION

Table I For outlines see fig. 2

TYPE	L ₁ (mm)	W (mm)	T (MM)	L ₂ / L ₃ (mm)		L ₄ (mm)
				min.	max.	min.
0201	0.6 ±0.03	0.3 ±0.03	0.3 ±0.03	0.1	0.2	0.2
	0.6 ±0.05	0.3 ±0.05	0.3 ±0.05	0.1	0.2	0.2
	0.6 ±0.09	0.3 ±0.09	0.3 ±0.09	0.1	0.2	0.2
	0.6 ±0.15	0.3 ±0.15	0.3 ±0.15	0.1	0.2	0.2
0402	1.0 ±0.05	0.5 ±0.05	0.5 ±0.05	0.15	0.35	0.4
	1.0 ±0.10	0.5 ±0.10	0.5 ±0.10	0.15	0.35	0.4
	1.0 ±0.15	0.5 ±0.15	0.5 ±0.15	0.15	0.35	0.4
	1.0 ±0.20	0.5 ±0.20	0.5 ±0.20	0.15	0.35	0.4
0603	1.6 ±0.10	0.8 ±0.10	0.8 ±0.10	0.2	0.6	0.4
	1.6 ±0.15	0.8 ±0.15	0.8 ±0.15	0.2	0.6	0.4
	1.6 ±0.20	0.8 ±0.20	0.8 ±0.20	0.2	0.6	0.4
0805	2.0 ±0.20	1.25 ±0.20	0.85 ±0.10	0.25	0.75	0.55
	2.0 ±0.20	1.25 ±0.20	1.25 ±0.20	0.25	0.75	0.55
1206	3.2 ±0.3	1.6 ±0.2	1.15 ±0.10	0.25	0.75	1.4
	3.2 ±0.3	1.6 ±0.2	1.25 ±0.20	0.25	0.75	1.4
	3.2 ±0.3	1.6 ±0.2	1.6 ±0.2	0.25	0.8	1.4
	3.2 ±0.3	1.6 ±0.3	1.6 ±0.3	0.3	0.9	1.4
1210	3.2 ±0.20	2.5 ±0.20	1.25 ±0.20	0.25	0.75	1.4
	3.2 ±0.20	2.5 ±0.20	1.9 ±0.20	0.25	0.75	1.4
	3.2 ±0.20	2.5 ±0.20	2.5 ±0.20	0.25	0.75	1.0
	3.2 ±0.30	2.5 ±0.30	2.5 ±0.30	0.25	0.75	1.0

OUTLINES

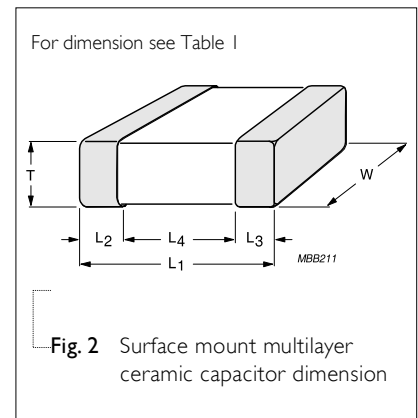


Fig. 2 Surface mount multilayer ceramic capacitor dimension

CAPACITANCE RANGE & THICKNESS FOR X5R

Table 2 Sizes from 0201 to 0402

CAP.	0201					0402						
	4 V	6.3 V	10 V	16 V	25 V	50 V	4 V	6.3 V	10 V	16 V	25 V	50 V
100 pF		0.3±0.03	0.3±0.03	0.3±0.03	0.3±0.03	0.3±0.03						
150 pF		0.3±0.03	0.3±0.03	0.3±0.03	0.3±0.03	0.3±0.03						
220 pF		0.3±0.03	0.3±0.03	0.3±0.03	0.3±0.03	0.3±0.03						
330 pF		0.3±0.03	0.3±0.03	0.3±0.03	0.3±0.03	0.3±0.03						
470 pF		0.3±0.03	0.3±0.03	0.3±0.03	0.3±0.03	0.3±0.03						
680 pF		0.3±0.03	0.3±0.03	0.3±0.03	0.3±0.03	0.3±0.03						
1.0 nF		0.3±0.03	0.3±0.03	0.3±0.03	0.3±0.03	0.3±0.03						
1.5 nF		0.3±0.03	0.3±0.03	0.3±0.03	0.3±0.03	0.3±0.03						
2.2 nF		0.3±0.03	0.3±0.03	0.3±0.03	0.3±0.03	0.3±0.03						
3.3 nF		0.3±0.03	0.3±0.03	0.3±0.03	0.3±0.03	0.3±0.03						
4.7 nF		0.3±0.03	0.3±0.03	0.3±0.03	0.3±0.03	0.3±0.03						
6.8 nF		0.3±0.03	0.3±0.03	0.3±0.03	0.3±0.03	0.3±0.03						
10 nF		0.3±0.03	0.3±0.03	0.3±0.03	0.3±0.03	0.3±0.03						
15 nF		0.3±0.03	0.3±0.03	0.3±0.03	0.3±0.03	0.3±0.03						
22 nF		0.3±0.03	0.3±0.03	0.3±0.03	0.3±0.03	0.3±0.03		0.5±0.05	0.5±0.05	0.5±0.05	0.5±0.05	0.5±0.05
33 nF		0.3±0.03	0.3±0.03	0.3±0.03	0.3±0.03	0.3±0.03		0.5±0.05	0.5±0.05	0.5±0.05	0.5±0.05	0.5±0.05
47 nF		0.3±0.03	0.3±0.03	0.3±0.03	0.3±0.03	0.3±0.03		0.5±0.05	0.5±0.05	0.5±0.05	0.5±0.05	0.5±0.05
68 nF		0.3±0.03	0.3±0.03	0.3±0.03	0.3±0.03	0.3±0.03		0.5±0.05	0.5±0.05	0.5±0.05	0.5±0.05	0.5±0.05
100 nF		0.3±0.03	0.3±0.03	0.3±0.03	0.3±0.03	0.3±0.05		0.5±0.05	0.5±0.05	0.5±0.05	0.5±0.05	0.5±0.05
150 nF								0.5±0.05	0.5±0.05	0.5±0.05	0.5±0.05	0.5±0.05
220 nF	0.3±0.03	0.3±0.03	0.3±0.03	0.3±0.03	0.3±0.03	0.3±0.03		0.5±0.05	0.5±0.05	0.5±0.05	0.5±0.05	0.5±0.05
330 nF								0.5±0.05	0.5±0.05			
470 nF	0.3±0.03	0.3±0.03	0.3±0.03	0.3±0.03	0.3±0.03	0.3±0.03		0.5±0.05	0.5±0.05	0.5±0.10	0.5±0.10	0.5±0.10
680 nF								0.5±0.05	0.5±0.05			
1.0 µF	0.3±0.05	0.3±0.05	0.3±0.05	0.3±0.05	0.3±0.05	0.3±0.05		0.5±0.05	0.5±0.05	0.5±0.05	0.5±0.05	0.5±0.05
2.2 µF	0.3±0.09	0.3±0.09	0.3±0.09	0.3±0.09	0.3±0.09	0.3±0.09		0.5±0.05	0.5±0.05	0.5±0.15	0.5±0.20	0.5±0.20
4.7 µF	0.3±0.15	0.3±0.15	0.3±0.15	0.3±0.15	0.3±0.15	0.3±0.15		0.5±0.15	0.5±0.15	0.5±0.15	0.5±0.15	0.5±0.15
10 µF								0.5±0.20	0.5±0.20	0.5±0.20	0.5±0.20	0.5±0.20
22 µF								0.5±0.20	0.5±0.20	0.5±0.20	0.5±0.20	0.5±0.20

NOTE

1. Values in shaded cells indicate thickness class in mm
2. Capacitance value of non E-6 series is available on request

CAPACITANCE RANGE & THICKNESS FOR X5R

Table 3 Sizes from 0603 to 0805

CAP.	0603					0805						
	4V	6.3 V	10 V	16 V	25 V	50V	4V	6.3 V	10 V	16 V	25 V	50V
10 nF												
15 nF												
22 nF												
33 nF												
47nF												
68 nF												
100 nF												
150 nF												
220 nF		0.8±0.1	0.8±0.1	0.8±0.1	0.8±0.1	0.8±0.1						
330 nF		0.8±0.1	0.8±0.1	0.8±0.1	0.8±0.1	0.8±0.1						
470 nF		0.8±0.1	0.8±0.1	0.8±0.1	0.8±0.1	0.8±0.1	0.85±0.1 1.25±0.2	0.85±0.1 1.25±0.2	0.85±0.1 1.25±0.2		1.25±0.2	1.25±0.2
680 nF		0.8±0.1	0.8±0.1	0.8±0.1	0.8±0.1	0.8±0.1	0.85±0.1 1.25±0.2	0.85±0.1 1.25±0.2	0.85±0.1 1.25±0.2		1.25±0.2	1.25±0.2
1.0 µF		0.8±0.1	0.8±0.1	0.8±0.1	0.8±0.1	0.8±0.1	0.85±0.1 1.25±0.2	0.85±0.1 1.25±0.2	0.85±0.1 1.25±0.2		1.25±0.2	1.25±0.2
2.2 µF		0.8±0.1	0.8±0.1	0.8±0.1	0.8±0.15	0.8±0.2	0.85±0.1 1.25±0.2	0.85±0.1 1.25±0.2	0.85±0.1 1.25±0.2	0.85±0.1 1.25±0.2	1.25±0.2	1.25±0.2
4.7 µF		0.8±0.1	0.8±0.1	0.8±0.15	0.8±0.15		0.85±0.1 1.25±0.2	0.85±0.1 1.25±0.2	1.25±0.2	1.25±0.2	1.25±0.2	1.25±0.2
10 µF		0.8±0.15	0.8±0.2	0.8±0.2	0.8±0.20		0.85±0.1 1.25±0.2	0.85±0.1 1.25±0.2	1.25±0.2	1.25±0.2	1.25±0.2	1.25±0.2
22 µF		0.8±0.2	0.8±0.2				1.25±0.2	1.25±0.2	1.25±0.2	1.25±0.2		
47 µF	0.8±0.2	0.8±0.2					1.25±0.2	1.25±0.2				
100 µF						1.25±0.2	1.25±0.2					

NOTE

1. Values in shaded cells indicate thickness class in mm
2. Capacitance value of non E-6 series is available on request

Table 4 Sizes from 1206 to 1210

CAP.	1206					1210				
	6.3 V	10 V	16 V	25 V	50V	6.3 V	10 V	16 V	25 V	50V
10 nF										
15 nF										
22 nF										
33 nF										
47nF										
68 nF										
100 nF										
150 nF										
220 nF										
330 nF										
470 nF										
680 nF										
1.0 μF	1.15±0.1	1.15±0.1	1.15±0.1	1.15±0.1	1.6±0.2	1.25±0.2	1.25±0.2	1.25±0.2	1.25±0.2	1.25±0.2
2.2 μF	1.15±0.1	1.15±0.1	1.15±0.1	1.15±0.1	1.6±0.2	1.9±0.2	1.9±0.2	1.9±0.2	1.9±0.2	1.9±0.2
4.7 μF	1.6±0.2	1.6±0.2	1.6±0.2	1.6±0.2	1.6±0.2	1.9±0.2	1.9±0.2	1.9±0.2	1.9±0.2	2.5±0.2
10 μF	1.6±0.2	1.6±0.2	1.6±0.2	1.6±0.2	1.6±0.3	1.9±0.2	1.9±0.2	1.9±0.2	1.9±0.2	2.5±0.2
22 μF	1.6±0.2	1.6±0.2	1.6±0.2	1.6±0.3		2.5±0.2	2.5±0.2	2.5±0.2	2.5±0.3	
47 μF	1.6±0.2	1.6±0.2	1.6±0.3			2.5±0.2	2.5±0.2	2.5±0.2		
100 μF	1.6±0.3					2.5±0.3	2.5±0.3	2.5±0.3		
220 μF	1.6±0.3					2.5±0.3				

NOTE

1. Values in shaded cells indicate thickness class in mm
2. Capacitance value of non E-6 series is available on request

THICKNESS CLASSES AND PACKING QUANTITY

Table 5

SIZE CODE	THICKNESS CLASSIFICATION	TAPE WIDTH QUANTITY PER REEL	Ø180 MM / 7 INCH		Ø330 MM / 13 INCH		QUANTITY PER BULK CASE
			Paper	Blister	Paper	Blister	
0201	0.3 ±0.03 mm	8 mm	15,000	---	50,000	---	---
0402	0.5 ±0.05 mm	8 mm	10,000	---	50,000	---	50,000
0603	0.8 ±0.1 mm	8 mm	4,000	---	15,000	---	15,000
0805	0.6 ±0.1 mm	8 mm	4,000	---	20,000	---	10,000
	0.85 ±0.1 mm	8 mm	4,000	---	15,000	---	8,000
	1.25 ±0.2 mm	8 mm	---	3,000	---	10,000	5,000
1206	0.6 ±0.1 mm	8 mm	4,000	---	20,000	---	---
	0.85 ±0.1 mm	8 mm	4,000	---	15,000	---	---
	1.00 / 1.15 ±0.1 mm	8 mm	---	3,000	---	10,000	---
	1.25 ±0.2 mm	8 mm	---	3,000	---	10,000	---
	1.6 ±0.15 mm	8 mm	---	2,500	---	10,000	---
	1.6 ±0.2 mm	8 mm	---	2,000	---	8,000	---
1210	0.6 / 0.7 ±0.1 mm	8 mm	---	4,000	---	15,000	---
	0.85 ±0.1 mm	8 mm	---	4,000	---	10,000	---
	1.15 ±0.1 mm	8 mm	---	3,000	---	10,000	---
	1.15 ±0.15 mm	8 mm	---	3,000	---	10,000	---
	1.25 ±0.2 mm	8 mm	---	3,000	---	---	---
	1.5 ±0.1 mm	8 mm	---	2,000	---	---	---
	1.6 / 1.9 ±0.2 mm	8 mm	---	2,000	---	---	---
	2.0 ±0.2 mm	8 mm	---	2,000 1,000	---	---	---
	2.5 ±0.2 mm	8 mm	---	1,000 500	---	---	---

ELECTRICAL CHARACTERISTICS

X5R DIELECTRIC CAPACITORS; NISN TERMINATIONS

Unless otherwise specified, all tests and measurements shall be made under standard atmospheric conditions for testing as given in 5.3 of IEC 60068-1:

- Temperature: 15 °C to 35 °C
- Relative humidity: 25% to 75%
- Air pressure: 86 kPa to 106 kPa

Before the measurements are made, the capacitor shall be stored at the measuring temperature for a time sufficient to allow the entire capacitor to reach this temperature.

The period as prescribed for recovery at the end of a test is normally sufficient for this purpose.

Table 6

DESCRIPTION		VALUE						
Capacitance range		10 nF to 100 µF						
Capacitance tolerance		±10% and ±20%						
Dissipation factor (D.F.)								
X5R	0201	0402	0603	0805	1206	1210	D.F.	
≤ 6.3V	100pF to 10nF	22nF to 100nF	220nF to 1µF	470nF to 680nF	1µF to 10µF	1µF to 10µF	≤ 5%	
		120nF to 220nF				22µF	≤ 7%	
	12nF to 1µF	330nF to 10µF	2.2µF to 47µF	1µF to 100µF	22µF to 47µF	47µF to 220µF	≤ 10%	
	2.2µF				100µF		≤ 15%	
	4.7µF	22µF					≤ 20%	
10V	100pF to 10nF	22nF to 100nF	220nF to 470nF	470nF to 680nF	1µF to 4.7µF	1µF to 4.7µF	≤ 5%	
		120nF to 220nF	680nF	1µF			≤ 7%	
	12nF to 220nF, 1µF	330nF to 10µF	1µF to 22µF	2.2µF to 47µF	10µF to 47µF	10µF to 100µF	≤ 10%	
	470nF						≤ 15%	
	2.2µF						≤ 20%	
16V	100pF to 10nF	22nF to 100nF	220nF to 470nF	470nF to 680nF	1µF to 4.7µF	1µF to 4.7µF	≤ 5%	
		120nF to 220nF	680nF to 1µF	1µF to 2.2µF			≤ 7%	
	12nF to 220nF	470nF to 4.7µF	2.2µF to 10µF	4.7µF to 22µF	10µF to 47µF	10µF to 100µF	≤ 10%	
	470nF						≤ 20%	
25V	100pF to 10nF	22nF		470nF to 1µF	1µF to 2.2µF	1µF to 4.7µF	≤ 3.5%	
		27nF to 100nF	220nF to 470nF	2.2µF	4.7µF	10µF	≤ 5%	
		120nF to 220nF	680nF to 1µF				≤ 7%	
	22nF, 100nF	470nF to 2.2µF	2.2µF to 10µF	4.7µF to 22µF	10µF to 22µF	22µF	≤ 10%	
50V	100pF to 1nF	22nF					≤ 3.5%	
		27nF to 120nF					≤ 5%	
		150nF to 220nF					≤ 7%	
		470nF	220nF to 2.2µF	470nF to 10µF	1µF to 10µF	1µF to 10µF	≤ 10%	
Insulation resistance after 1 minute at U _r (DC)		R _{ins} ≥ 10 GΩ or R _{ins} × C _r ≥ 500(50)* seconds whichever is less						
Maximum capacitance change as a function of temperature		±15%						
Operating temperature range:		-55 °C to +85 °C						

NOTE

* For individual I.R specification, please contact local sales.

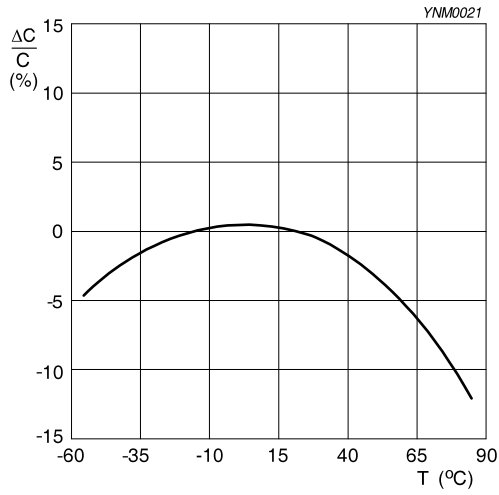


Fig. 3 Typical capacitance change as a function of temperature

Size 0201 10 nF / 16 V
Solid lines: Impedance / Dotted lines: ESR

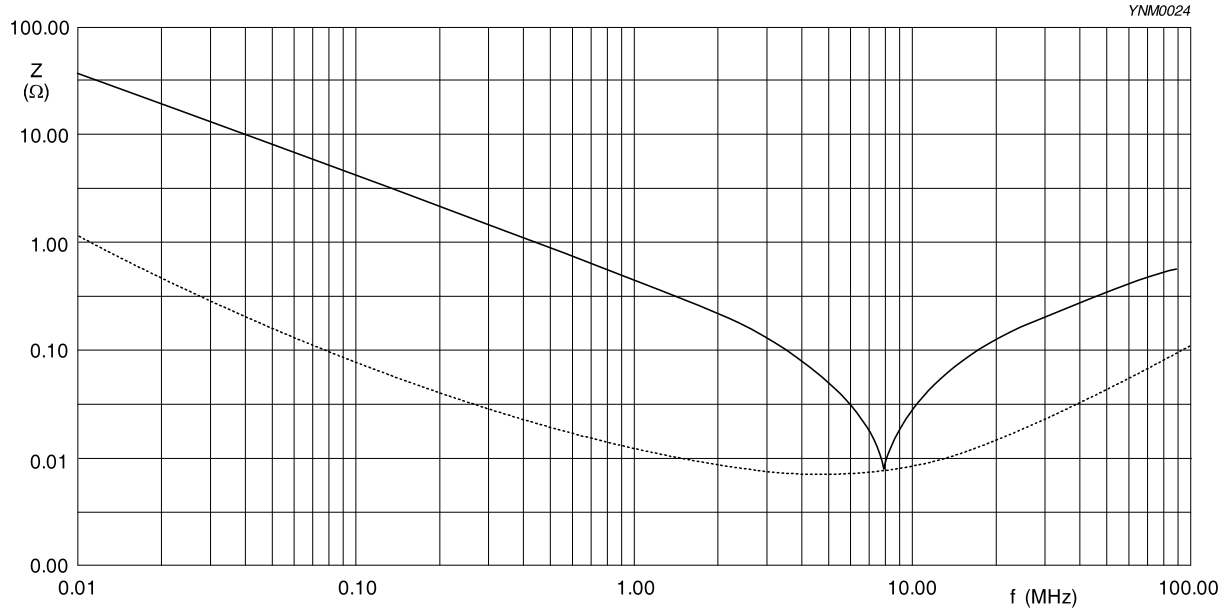


Fig. 4 Impedance ESR vs. frequency characteristics for multilayer chip capacitors

Size 0603 1 μF / 10 V
Solid lines: Impedance / Dotted lines: ESR

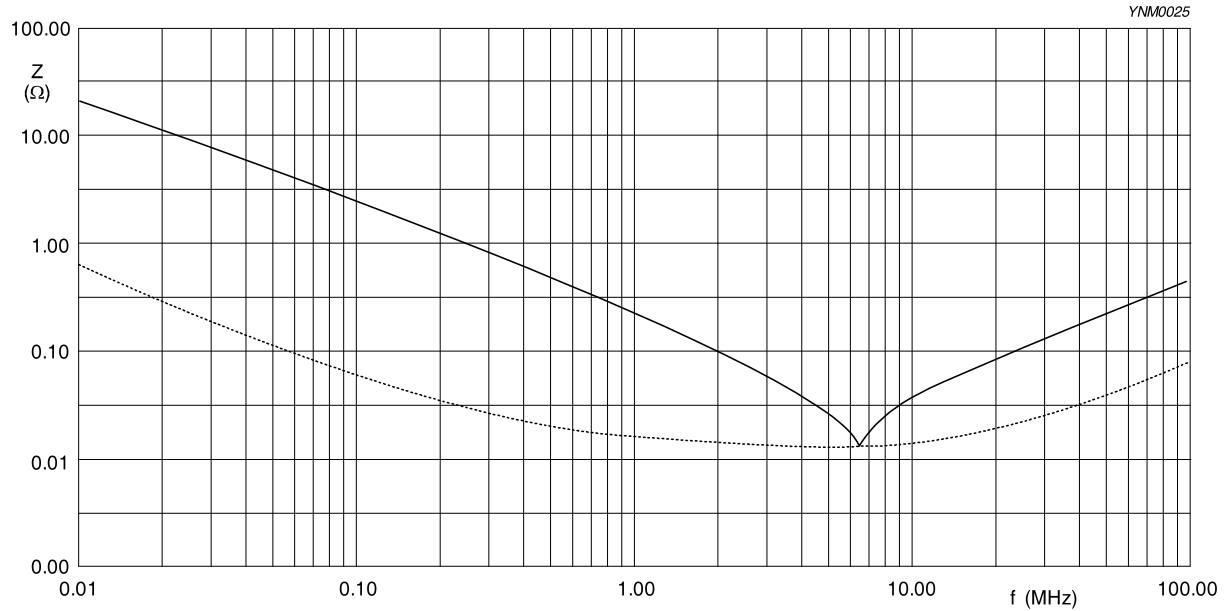


Fig. 5 Impedance ESR vs. frequency characteristics for multilayer chip capacitors

Size 0805 10 μ F / 6.3 V
Solid lines: Impedance / Dotted lines: ESR

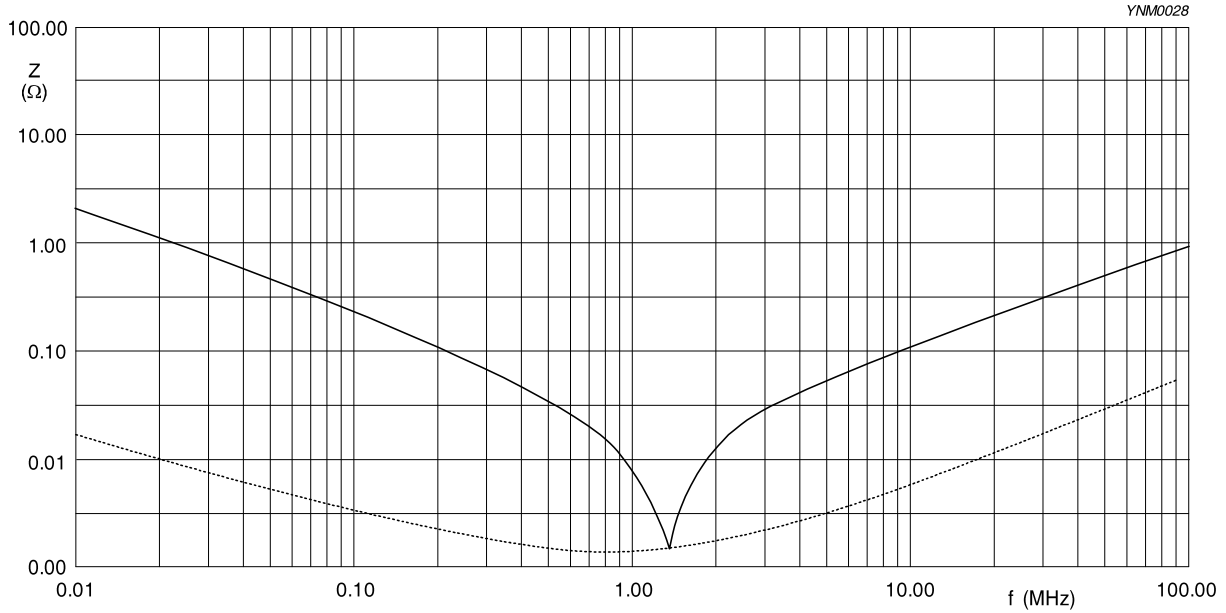


Fig. 6 Impedance ESR vs. frequency characteristics for multilayer chip capacitors

Size 1206 10 μ F / 16 V
Solid lines: Impedance / Dotted lines: ESR

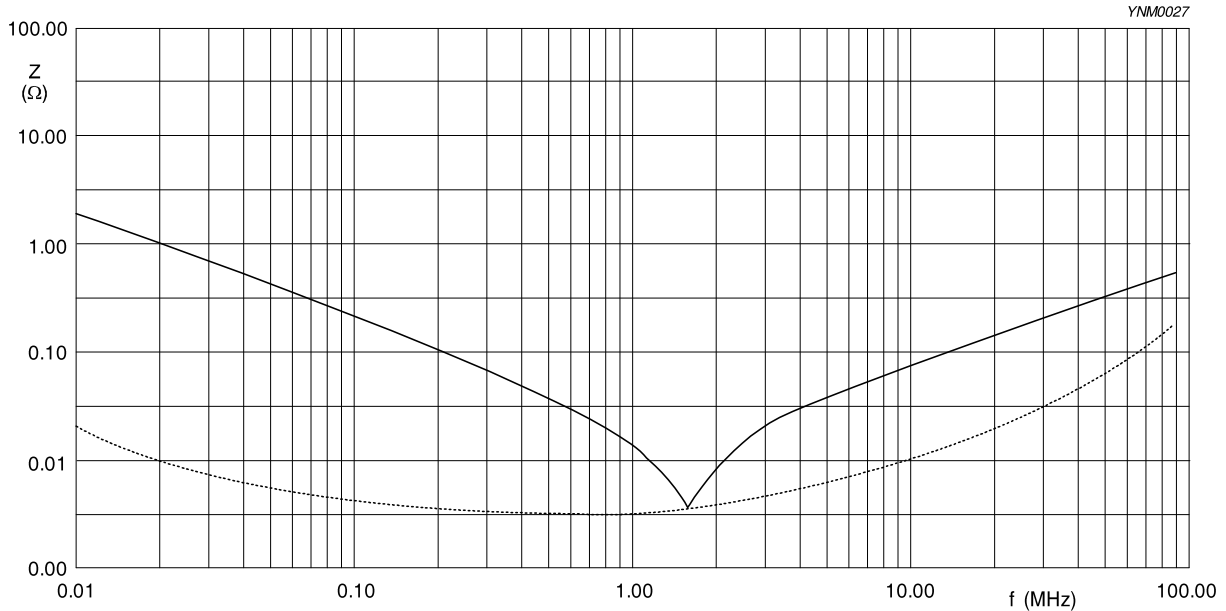


Fig. 7 Impedance ESR vs. frequency characteristics for multilayer chip capacitors

Size 1210 10 μ F / 25 V
Solid lines: Impedance / Dotted lines: ESR

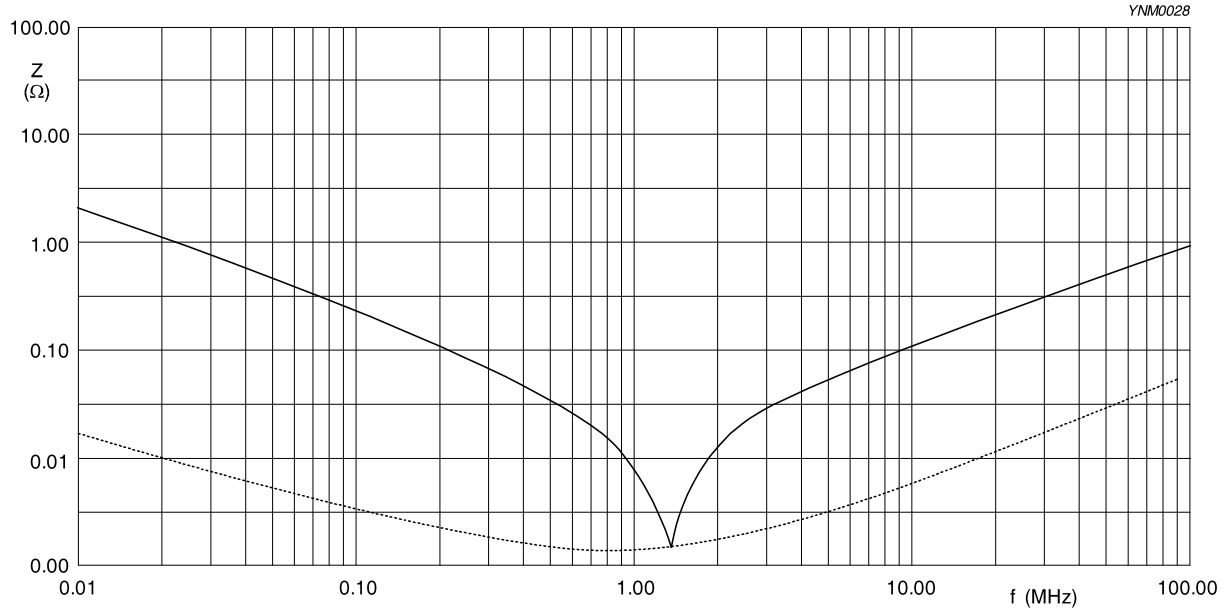


Fig. 8 Impedance ESR vs. frequency characteristics for multilayer chip capacitors

SOLDERING RECOMMENDATION

Table 7

SOLDERING METHOD	SIZE					
	0201	0402	0603	0805	1206	\geq 1210
Reflow	Reflow only	Reflow only	$> 1 \mu$ F	$> 2.2 \mu$ F	$> 2.2 \mu$ F	Reflow only
Reflow/Wave			$\leq 1 \mu$ F	$\leq 2.2 \mu$ F	$\leq 2.2 \mu$ F	---

TESTS AND REQUIREMENTS

Table 8 Test procedures and requirements

TEST	TEST METHOD	PROCEDURE	REQUIREMENTS
Mounting	IEC 60384-21/22 4.3	The capacitors may be mounted on printed-circuit boards or ceramic substrates	No visible damage
Visual Inspection and Dimension Check	4.4	Any applicable method using × 10 magnification	In accordance with specification
Capacitance ⁽¹⁾	4.5.1	Class 2: At 20 °C, 24 hrs after annealing f = 1 KHz for C ≤ 10 μF, rated voltage > 6.3 V, measuring at voltage 1 V _{rms} at 20 °C f = 1 KHz, for C ≤ 10 μF, rated voltage ≤ 6.3 V, measuring at voltage 0.5 V _{rms} at 20 °C f = 120 Hz for C > 10 μF, measuring at voltage 0.5 V _{rms} at 20 °C	Within specified tolerance
Dissipation Factor (D.F.) ⁽¹⁾	4.5.2	Class 2: At 20 °C, 24 hrs after annealing f = 1 KHz for C ≤ 10 μF, rated voltage > 6.3 V, measuring at voltage 1 V _{rms} at 20 °C f = 1 KHz, for C ≤ 10 μF, rated voltage ≤ 6.3 V, measuring at voltage 0.5 V _{rms} at 20 °C f = 120 Hz for C > 10 μF, measuring at voltage 0.5 V _{rms} at 20 °C	In accordance with specification
Insulation Resistance	4.5.3	At U _r (DC) for 1 minute	In accordance with specification

NOTE

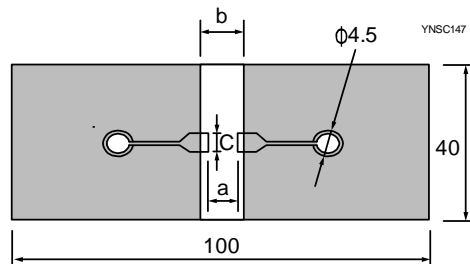
I. The figure indicates typical inspection. Please refer to individual specifications.

TEST	TEST METHOD	PROCEDURE	REQUIREMENTS												
Temperature Characteristic	4.6	<p>Capacitance shall be measured by the steps shown in the following table.</p> <p>The capacitance change should be measured after 5 min at each specified temperature stage.</p> <table border="1"> <thead> <tr> <th>Step</th> <th>Temperature(°C)</th> </tr> </thead> <tbody> <tr> <td>a</td> <td>25±2</td> </tr> <tr> <td>b</td> <td>Lower temperature±3°C</td> </tr> <tr> <td>c</td> <td>25±2</td> </tr> <tr> <td>d</td> <td>Upper Temperature±2°C</td> </tr> <tr> <td>e</td> <td>25±2</td> </tr> </tbody> </table> <p>(1) Class I</p> <p>Temperature Coefficient shall be calculated from the formula as below</p> $\text{Temp. Coefficient} = \frac{C2 - C1}{C1 \times \Delta T} \times 10^6 \text{ [ppm/°C]}$ <p>C1: Capacitance at step c C2: Capacitance at 125°C ΔT: 100°C(=125°C-25°C)</p> <p>(2) Class II</p> <p>Capacitance Change shall be calculated from the formula as below</p> $\Delta C = \frac{C2 - C1}{C1} \times 100\%$ <p>C1: Capacitance at step c C2: Capacitance at step b or d</p>	Step	Temperature(°C)	a	25±2	b	Lower temperature±3°C	c	25±2	d	Upper Temperature±2°C	e	25±2	<p><General purpose series></p> <p>Class I: Δ C/C: ±30ppm</p> <p>Class2: X7R: Δ C/C: ±15% Y5V: Δ C/C: 22~-82%</p> <p><High Capacitance series></p> <p>Class2: X7R/X5R: Δ C/C: ±15% Y5V: Δ C/C: 22~-82%</p>
Step	Temperature(°C)														
a	25±2														
b	Lower temperature±3°C														
c	25±2														
d	Upper Temperature±2°C														
e	25±2														
Adhesion	4.7	<p>A force applied for 10 seconds to the line joining the terminations and in a plane parallel to the substrate</p>	<p>Force</p> <p>size ≥ 0603: 5N size = 0402: 2.5N size = 0201: 1N</p>												
Bending Strength	IEC 60384-21/22 4.8	<p>Mounting in accordance with IEC 60384-22 paragraph 4.3</p>	<p>No visible damage</p>												

Conditions: bending 1 mm at a rate of 1 mm/s, radius jig 5 mm

ΔC/C
Class2:
X5R: ±12.5%

Test Substrate:



Unit: mm

Type	Dimension(mm)		
	a	b	c
0201	0.3	0.9	0.3
0402	0.4	1.5	0.5
0603	1.0	3.0	1.2
0805	1.2	4.0	1.65
1206	2.2	5.0	1.65
1210	2.2	5.0	2.0

TEST	TEST METHOD	PROCEDURE	REQUIREMENTS
Resistance to Soldering Heat	4.9	Precondition: 150 +0/-10 °C for 1 hour, then keep for 24 ±1 hours at room temperature	Dissolution of the end face plating shall not exceed 25% of the length of the edge concerned <General purpose series> ΔC/C Class2: X5R: ±10% <High Capacitance series> ΔC/C Class2: X5R: ±10%
		Preheating: for size ≤ 1206: 120 °C to 150 °C for 1 minute Preheating: for size >1206: 100 °C to 120 °C for 1 minute and 170 °C to 200 °C for 1 minute Solder bath temperature: 260 ±5 °C Dipping time: 10 ±0.5 seconds Recovery time: 24 ±2 hours	
Solderability	4.10	Preheated the temperature of 80 °C to 140 °C and maintained for 30 seconds to 60 seconds. 1. Temperature: 235±5°C / Dipping time: 2 ±0.5 s 2. Temperature: 245±5°C / Dipping time: 3 ±0.5 s (lead free) Depth of immersion: 10mm	The solder should cover over 95% of the critical area of each termination
Rapid Change of Temperature	IEC 60384-21/22	4.11 Preconditioning: 150 +0/-10 °C for 1 hour, then keep for 24 ±1 hours at room temperature 5 cycles with following detail: 30 minutes at lower category temperature 30 minutes at upper category temperature Recovery time 24 ±2 hours	No visual damage <General purpose series> ΔC/C Class2: X5R: ±15% <High Capacitance series> ΔC/C Class2: X5R: ±15%
			D.F. within initial specified value R _{ins} within initial specified value
			D.F. meet initial specified value R _{ins} meet initial specified value

TEST	TEST METHOD	PROCEDURE	REQUIREMENTS
Damp Heat with U _r Load	4.13	<p>1. Preconditioning, class 2 only: 150 +0/-10 °C /1 hour, then keep for 24 ±1 hour at room temp</p> <p>2. Initial measure: Spec: refer to initial spec C, D, IR</p> <p>3. Damp heat test: 500 ±12 hours at 40 ±2 °C; 90 to 95% R.H. 1.0 U_r applied</p> <p>4. Recovery: Class 2: 24 ±2 hours</p> <p>5. Final measure: C, D, IR</p> <p>P.S. If the capacitance value is less than the minimum value permitted, then after the other measurements have been made the capacitor shall be preconditioned according to "IEC 60384 4.1" and then the requirements shall be met.</p>	<p>No visual damage after recovery</p> <hr/> <p><General purpose series></p> <p>ΔC/C</p> <p>Class2: X5R: ±15%</p> <p>D.F.</p> <p>Class2: X5R: ≤ 16V: ≤ 7% ≥ 25V: ≤ 5%</p> <p>R_{ins}</p> <p>Class2: X5R: ≥ 500 MΩ or R_{ins} × C_r ≥ 25s whichever is less</p> <p><High Capacitance series></p> <p>ΔC/C</p> <p>Class2: X5R: ±20%</p> <p>D.F.</p> <p>Class2: X5R: 2 × initial value max</p> <p>R_{ins}</p> <p>Class2: R_{ins} × C_r ≥ 5s whichever is less</p>

TEST	TEST METHOD	PROCEDURE	REQUIREMENTS
Endurance	IEC 60384-21/22 4.14	<p>1. Preconditioning, class 2 only: 150 +0/-10 °C /1 hour, then keep for 24 ±1 hour at room temp</p> <p>2. Initial measure: Spec: refer to initial spec C, D, IR</p> <p>3. Endurance test: Temperature: X5R: 85 °C Specified stress voltage applied for 1,000 hours: Applied 2.0 × Ur for general product*. Applied 1.5 × Ur for high cap. Product*. Applied 1.0 × Ur for high cap. product. 0201: 100nF/25V, 220nF/10V, 1uF, 2.2uF/ 4V, 6.3V; 0402: 4.7uF/16V, 10V, 6.3V; 10uF/4V, 6.3V; 0603: 10uF/ 10V; 22uF/6.3V, 10V; 47uF/4V; 0805: 10uF/ 25V, 50V; 22uF/ 6.3V, 10V, 16V; 47uF/ 6.3V, 10V; 100uF/ 4V; 1206: 10uF/ 50V;</p> <p>4. Recovery time: 24 ±2 hours</p> <p>5. Final measure: C, D, IR</p> <p>P.S. If the capacitance value is less than the minimum value permitted, then after the other measurements have been made the capacitor shall be preconditioned according to "IEC 60384 4.1" and then the requirements shall be met.</p> <p>* General product: 0201 ≤ 10nF, 0402 ≤ 100nF, 0603 ≤ 470nF, 0805, 1206, 1210 ≤ 1uF; * High cap product: 0201 > 10nF, 0402 > 100nF, 0603 > 470nF, 0805, 1206, 1210 > 1uF;</p>	<p>No visual damage</p> <hr/> <p><General purpose series> ΔC/C Class2: X5R: ± 15% D.F. Class2: X5R: ≤ 16V: ≤ 7% ≥ 25V: ≤ 5% R_{ins} Class2: X5R: ≥ 1,000 MΩ or R_{ins} × C_r ≥ 50s whichever is less</p> <p><High Capacitance series> ΔC/C Class 2: X5R: ±20% D.F. Class 2: X5R: 2 × initial value max R_{ins} Class 2: R_{ins} × C_r ≥ 10s whichever is less</p>
Voltage Proof	4.6	<p>Specified stress voltage applied for 1~5 seconds</p> <p>Ur ≤ 100 V: series applied 2.5 Ur 100 V < Ur ≤ 200 V series applied (1.5 Ur + 100) 200 V < Ur ≤ 500 V series applied (1.3 Ur + 100) Ur > 500 V: 1.3 Ur Ur ≥ 1000 V: 1.2 Ur Charge/Discharge current is less than 50 mA</p>	No breakdown or flashover

REVISION HISTORY

REVISION	DATE	CHANGE NOTIFICATION	DESCRIPTION
Version 22	Oct. 3, 2016	-	- Dimension and Soldering recommendation updated
Version 21	Jan. 28, 2016	-	- Tests and requirements updated
Version 20	Dec. 04, 2015	-	- Size updated
Version 19	Apr. 09, 2015	-	- Voltage updated
Version 18	Jul. 07, 2014	-	- Voltage updated
Version 17	Mar. 31, 2014	-	- Test condition updated
Version 16	Nov. 29, 2012	-	- Test condition updated
Version 15	Sep. 03, 2012	-	- Test condition updated
Version 14	May 16, 2012	-	- Product range updated
Version 13	May 02, 2012	-	- Product range updated
Version 12	Feb 10, 2012	-	- Product range updated
Version 11	Oct 21, 2011	-	- Product range updated
Version 10	Jun 21, 2011	-	- Product range updated
Version 9	Mar 23, 2011	-	- Product range updated
Version 8	Jan 25, 2011	-	- Rated voltage of 0201 extend to 50V
Version 7	Jan 05, 2011	-	- Product range updated
Version 6	Jul 27, 2010	-	- Dimension on 0603 and 1206 case size updated
Version 5	Apr 21, 2010	-	- The statement of "Halogen free" on the cover added - Dimension updated
Version 4	Jan 13, 2010	-	- Thickness updated
Version 3	Aug 17, 2009	-	- Dimension updated
Version 2	Jun 09, 2009	-	- Ordering code updated
Version 1	May 15, 2009	-	- Product range updated
Version 0	Apr 15, 2009	-	- New datasheet for general purpose and high capacitance X5R series with RoHS compliant - Replace the "6.3V to 50V" part of pdf files: UP-X5R_X7R_HighCaps_6.3-to-25V_11, UY-X5R_X7R_HighCaps_6.3-to-25V_11 - Combine 0201 from pdf files: UP-NP0X5RX7RY5V_0201_6.3-to-50V_2 and UY-NPOX5RX7RY5V_0201_6.3-to-50V_2 - Define global part number - Description of "Halogen free compliant" added - Test method and procedure updated