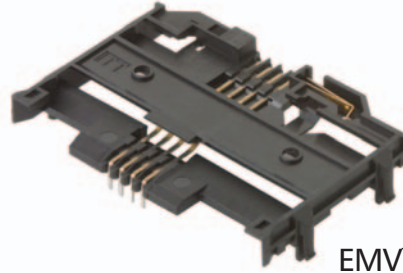


CCM01 MK III



EMV™ compatible

CCM01 MK III connectors are intended for applications such as pay TV, home shopping and utility meters. Mainly driven by the Set Top Box market for payment and/or deciphering.

Features

- Available in standard or reverse card reading version, with direct PCB soldering for reduced installation cost.
- Panel mount version comes with improved noise reduction FPC, to accommodate all front panel configurations.
- Double sided version allows the customer to insert the card chip up or down for easier handling.
- Self cleaning card detection switch (normally closed) is protected against assembly mishandling.
- Available with 8 through hole contacts specifically designed to reduce card wear.
- A chamfer opening to the card entry slot improves the card guidance into the connector.
- Variable distance from lower card side to PCB to level card slot with your front panel design
- Easy insertion into PCB provided by four half pegs and termination true positioning insulator.¹
- Four snap in board locks to lower stress on soldered terminals and improve interconnect PCB retention.
- Thermoplastic UL 94 V-0 insulator suitable for wave soldering only
- Designed to be compatible with:
NDS
EMVCo

¹ Termination true positioning insulator not designed on low profile version 3,9 mm

EMV™ is a trademark owned by EMVCoLLC.

Construction

| | |
|-----------------|-----------------------------|
| Insulator | Thermoplastic UL94V-0 rated |
| Contacts | Copper alloy |
| Contact Finish | Gold over nickel |
| PC tail plating | Tin lead (2µ min.) |

Mechanical Data

| | |
|-----------------------|---|
| Mechanical life | 30,000 cycles min |
| Card insertion force | 10 N max |
| Card extraction force | 1 N min / 10 N max |
| Contact force | 0.20 N min / 0.60 N max |
| Vibration | Frequency 10 to 500 Hz. Acceleration 50m/s ² Duration 6 hours - amplitude 0,35 mm Max electrical discontinuity 1µs |
| Shock | Peak value 500 m/s ² - Duration 11 ms 3 shocks in each direction of each axis Max electrical discontinuity 1 µs |

Contact Electrical Data

| | |
|-----------------------|---------------------|
| Insulation resistance | 1,000 MΩ min |
| Resistance | 100 mΩ max |
| Current rating | 10 µA min / 1 A max |
| Dielectric strength | 750 Vrms min |

Switch Electrical Data

| | |
|-----------------------|----------------------|
| Card detection switch | Normally closed |
| Contact resistance | 100mΩ max |
| Dielectric strength | 250 Vrms min |
| Current rating | 1 mA min / 10 mA max |
| Maximum power | 0.2 VA |

Environmental Data

| | |
|-----------------------|------------------------------------|
| Operating temperature | -20°C to +70°C |
| Soldering temperature | Wave: 260°C / 5 seconds |
| Damp heat | IEC 512 test number 11c (10 days) |
| Salt mist | IEC 512 test number 11f (96 hours) |

Ordering Code

| Designation | Standard Version | Reverse Version |
|---|------------------|-----------------|
| Distance from lower card entrance & PCB | | |
| 3,90 mm | CCM01-6101 | CCM01-6201 |
| 6,75 mm | | CCM01-6202 |
| 6,50 mm | CCM01-6105 | |
| 8,00 mm | CCM01-6103 | |
| Panel Mount | CCM01-6301 | CCM01-6302 |
| Double Decker | CCM01-6402 | CCM01-6403 |

Packaging

30 per tray, 10 trays per box.



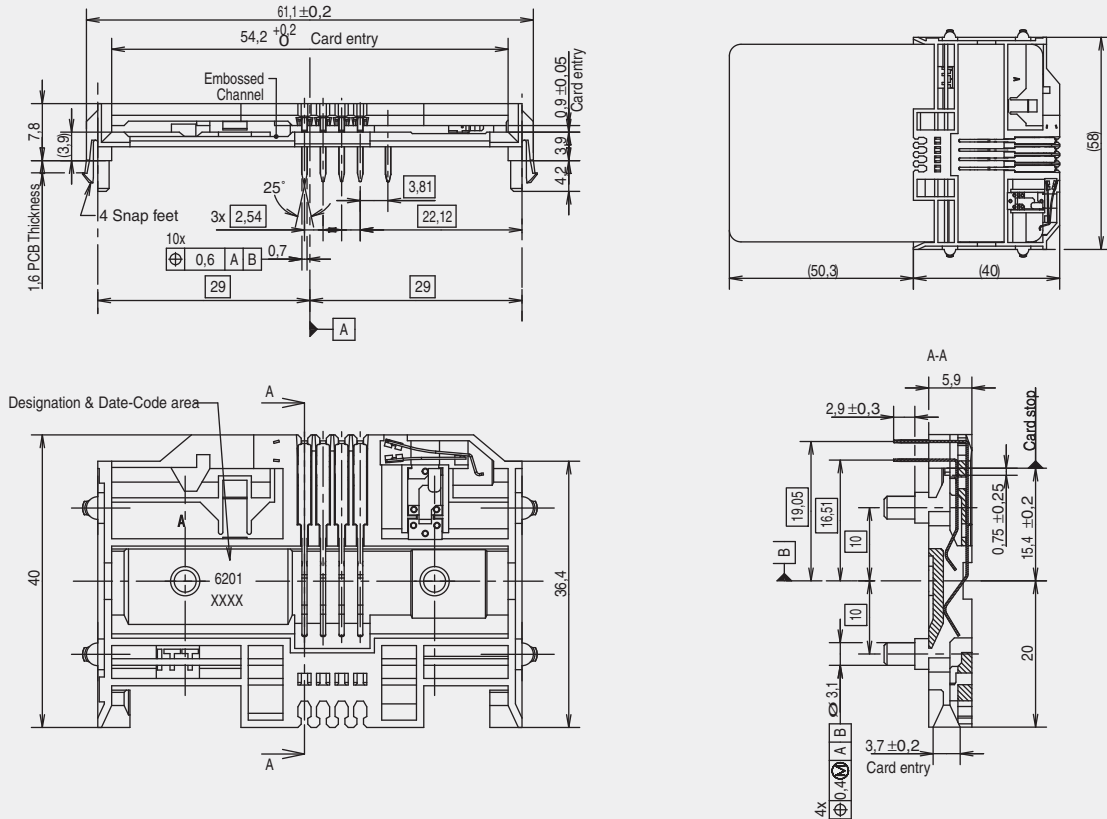
Dimensions are shown in mm
Specifications and dimensions subject to change

www.ck-components.com

CCM01 MK III

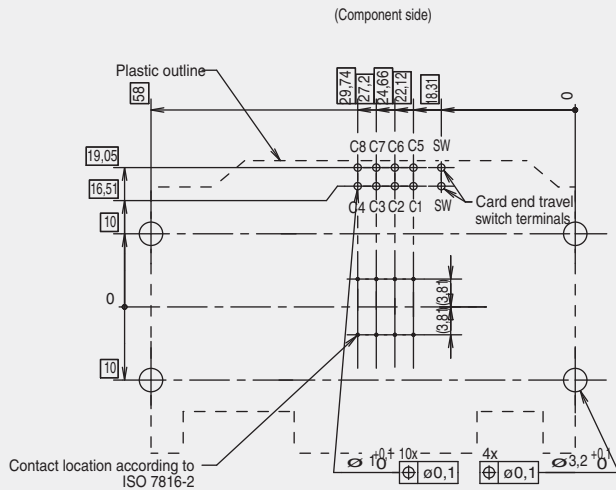
Dimensional Drawings

CCM01-6201



PCB Layout

CCM01-6201



Drawings shown for reference only. For other part numbers please consult your local Cannon Customer Service Center.

Unless otherwise stated, tolerances are $\pm 0,10$ mm



Dimensions are shown in mm
Specifications and dimensions subject to change

www.ck-components.com