

# Fuse Holders and Blocks



Section Contents	Page
OPM-1038 3-pole fuse holders with disconnect switch . . . . .	250
OPM-1038 3-pole fuse holders . . . . .	251
OPMNGA- 3-pole Class CC and 1 1/2" X 1 1/2" fuse overcurrent protection modules . . . . .	252-253
CH Series Class J modular fuse holders . . . . .	254
JT(N)60030 & JT(N)600600 Safety J™ Class J fuse holders . . . . .	255-256
<b>CH Series Global Modular fuse holders . . . . .</b>	<b>257-258</b>
SAMI™ fuse covers . . . . .	259
H250 & R250 Series 250V Class H (K) and R fuse blocks . . . . .	260-262
H600 & R600 600V Class H (K) and R fuse blocks . . . . .	263-265
J600 Series Class J fuse blocks . . . . .	266-267
JP Series Class J fuse blocks . . . . .	268
JA60030 add-a-pole Class J fuse blocks . . . . .	268
T300 300V Class T fuse blocks . . . . .	269-270
T600 600V Class T fuse blocks . . . . .	271-272
BCA Series Class CC add-a-pole modular fuse blocks . . . . .	273
BMA Series 1 1/2" X 1 1/2" fuse add-a-pole modular fuse blocks . . . . .	273
BC Series Class CC fuse blocks . . . . .	274
BM Series Type M 1 1/2" X 1 1/2" fuse blocks . . . . .	274
BG & G Series Class G fuse blocks . . . . .	274
BH Series high speed fuse modular fuse blocks . . . . .	275
Class H & J modular fuse blocks . . . . .	275
Plug fuse box cover units . . . . .	276
HFB & HEB-10 in-line fuse holders for 1/4" X 1 1/4" fuses . . . . .	277, 279
HHB & HRK universal in-line fuse holders for 1/4" dia. fuses . . . . .	277
HR & HM Series in-line fuse holders for 1/4" dia. fuses . . . . .	278
HFA Series waterproof in-line fuse holders for 1/4" X 1 1/4" fuses . . . . .	278
HHT Series in-line fuse holders for 5 X 15 to 20mm fuses . . . . .	278
Tron® in-line fuse holders . . . . .	279-280
Panel mounted fuse holders for 5 X 20mm fuses . . . . .	281
Panel mounted fuse holders for 1/4" X 1 1/4" fuses . . . . .	282
Panel mounted fuse holders for 5 X 20mm and 1/4" X 1 1/4" fuses . . . . .	283-284
Panel mounted fuse holders for indicating type fuses . . . . .	285
Panel mounted fuse holders for 1 1/2" X 1 1/16" to 1 1/2" fuses . . . . .	286
Panel mounted fuse holders for 1 1/2" X 1 1/2" fuses . . . . .	287
Fuse blocks for 1/4" X 1 1/4" fuses . . . . .	288
Fuse blocks for 1/4" X 1" fuses . . . . .	289
Fuse blocks for 1 1/2" X 1 1/2" fuses . . . . .	290
Rail mount fuse holders . . . . .	291

Fuse Holders & Blocks

RED indicates NEW information

## Optima® Fuse Holder Module and Disconnect Switch

### OPM-1038 With Disconnect Switch



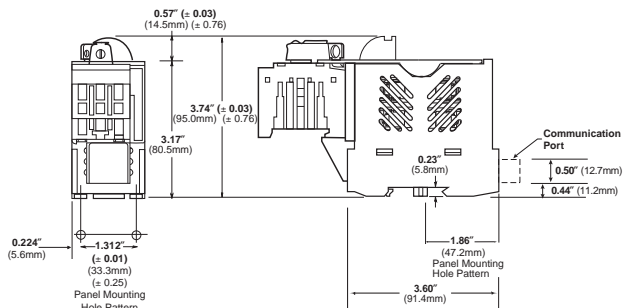
#### Features/Benefits

- Padlockable with finger-safe terminals for safety. Qualified as IP20 per IEC 60529.
- Cam-action handle for easy module removal, offered with Class CC rejection clips or European 10 x 38mm clips to meet global needs
- Wire ready with 35mm DIN rail or screw panel mounting (#8 screw, 1 1/4" long) saves installation time
- Fuse indication lights with option for remote fuse status available. See Data Sheet for additional wiring details.

#### Typical Applications

- Industrial Control
- Process Control Systems
- Automated Warehouse Systems
- Individual Control Circuits

#### Dimensions



#### Catalog Number Build-A-Code

Series	Fuse Type	Communication
O P M - 1 0 3 8	Blank = 10 x 38mm or 1/2" x 1-1/2" R = Class CC	C = Communication Feature

#### Specifications

**Description:** 3-pole load break modular fuse holder and disconnect switch for 1/2 x 1 1/2" (10 x 38mm) fuses.

**Dimensions:** See Dimensions illustration.

**Poles:** 3

**Agency Information:** CE, UL (see table), CSA Certified, C22.2 No. 39, Class 6225-01, File 47235, IEC (see table).

**Flammability Rating:** UL 94V0.

#### Horsepower Rating of Switch

3-Phase	Volts	240	480	600
	HP	5	10	15

#### Recommended Fuse Types

Class CC	Midget (Non-Rejection)	European
LP-CC	KTK	C10M
KTK-R	FNM	C10G
FNQ-R	FNQ	

#### Physical Characteristics

- Small size matches 45mm IEC starter width
- Accepts #8-18 AWG stranded, #10-18 AWG solid wire
- 3-pole
- Handle and shaft required for through the door operation

#### Catalog Numbers

Catalog Numbers	Electrical Rating	SCCR** Rating	Clips	Remote Open Fuse Indication	UL Information Std.	File	Guide	IEC	CE
OPM-1038SW	30A, 600Vac UL/CSA 32A, 660Vac IEC	*	Non-rejection, 10x38mm or 1/2" x 1 1/2"	No	Recognized UL 508	E161278	NLRV2	IEC 60947-3	Yes
OPM-1038RSW	30A, 600Vac UL/CSA	100kA	Rejection, Class CC	No	Listed UL 508	E161278	NLRV		Yes
OPM-1038SWC	30A, 600Vac UL/CSA 32A, 660Vac IEC	*	Non-rejection, 10x38mm or 1/2" x 1 1/2"	Yes	Recognized UL 508	E161278	NLRV2	IEC 60947-3	No
OPM-1038RSWC	30A, 600Vac UL/CSA	100kA	Rejection, Class CC	Yes	Listed UL 508	E161278	NLRV		No

\*Rating varies depending on fuse used in module; 100kA maximum

\*\*Short-Circuit Current Rating

Data Sheet: 1103

## Optima® Fuse Holder Module

OPM-1038



### Features/Benefits

- Padlockable with finger-safe terminals for safety. Qualified as IP20 per IEC 529.
- Cam-action handle for easy module removal.
- Offered with Class CC rejection clips or European 10 x 38mm clips to meet global needs
- Wire ready with 35mm DIN rail or screw panel mounting (#8 screw, 1 1/4" long) saves installation time
- Fuse indication lights with option for remote fuse status indication. See Data Sheet for additional wiring details.

### Catalog Number Build-A-Code

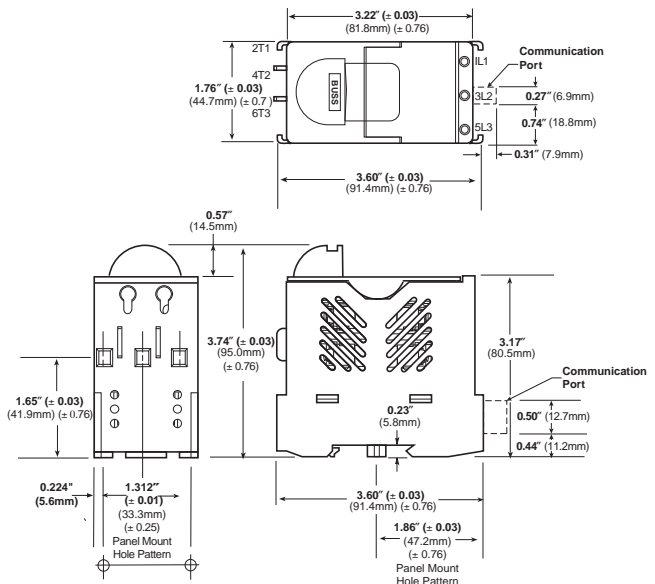
Series	Fuse Type	Communication
<div style="display: flex; gap: 5px;"> <div style="border: 1px solid black; padding: 2px;">O</div> <div style="border: 1px solid black; padding: 2px;">P</div> <div style="border: 1px solid black; padding: 2px;">M</div> <div style="border: 1px solid black; padding: 2px;">-</div> <div style="border: 1px solid black; padding: 2px;">1</div> <div style="border: 1px solid black; padding: 2px;">0</div> <div style="border: 1px solid black; padding: 2px;">3</div> <div style="border: 1px solid black; padding: 2px;">8</div> </div>	<div style="border: 1px solid black; width: 20px; height: 20px; display: flex; align-items: center; justify-content: center;"> <span style="font-size: 8px;">Blank = 10 x 38mm or 1 3/32" x 1 1/2"</span> </div>	<div style="border: 1px solid black; width: 20px; height: 20px; display: flex; align-items: center; justify-content: center;"> <span style="font-size: 8px;">C = Communication Feature</span> </div>

Blank = 10 x 38mm or 1 3/32" x 1 1/2"  
 R = Class CC

### Typical Applications

- Industrial Control
- Process Control Systems
- Automated Warehouse Systems
- Individual Control Circuits

### Dimensions



Fuse Holders & Blocks

### Specifications

**Description:** 3-pole modular fuse holder for 1 3/32" x 1 1/2" (10 x 38mm) fuses.

**Dimensions:** See Dimensions illustration.

**Poles:** 3

**Agency Information:** CE, UL (see table), CSA Certified, C22.2 No. 4248, Class 6225-01, File 47235, IEC (see table).

**Flammability Rating:** UL 94V0.

### Recommended Fuse Types

Class CC	Midget (Non-Rejection)	European
LP-CC	KTK	C10M
KTK-R	FNM	C10G
FNQ-R	FNQ	

### Physical Characteristics

- Small size matches 45mm IEC starter width
- Accepts #8-18 AWG stranded, #10-18 AWG solid wire
- 3-pole

### Catalog Numbers

Catalog Numbers	Electrical Rating	SCCR** Rating	Clips	Remote Open Fuse Indication	UL Information Std.	File	Guide	IEC	CE
OPM-1038	30A, 600Vac/dc UL/CSA (Max 3 Watts per fuse) 32A, 660V IEC	*	Non-rejection, 10 x 38mm or 1 3/32" x 1 1/2"	No	Recognized UL 4248	E14853	IZLT2	IEC 60269-2-1	Yes
OPM-1038R	30A, 600Vac/dc UL/CSA	200kA	Rejection, Class CC	No	Listed UL 4248	E14853	IZLT		Yes
OPM-1038C	30A, 600Vac/dc UL/CSA (Max 3 Watts per fuse) 32A, 660V IEC	*	Non-rejection, 10 x 38mm or 1 3/32" x 1 1/2"	Yes	Recognized UL 4248	E14853	IZLT2	IEC 60269-2-1	No
OPM-1038RC	30A, 600Vac/dc UL/CSA	200kA	Rejection, Class CC	Yes	Listed UL 4248	E14853	IZLT		No

\*Rating varies depending on fuse used in module; 200kA maximum.

\*\*Short-Circuit Current Rating

Data Sheet: 1102

## Optima® Three-pole Overcurrent Protection Module

### OPM-NG-



#### Specifications

##### Description:

**OPM-NG-SC3:** 3-pole Class CC fuse holder for use with Class CC fuses (Cooper Bussmann Types LP-CC, FNQ-R, KTK-R).

**OPM-NG-SM3:** 3-pole fuse holder for use with 1½" x 1½" and 10.3 x 38mm fuses (Cooper Bussmann Types: 1½" x 1½"; KTK, FNQ, KLM, 10 x 38mm; FWA, FWC, C10G\_ , C10M\_ ).

##### Ratings:

- Volts: — OPM-NG-SC3: 600Vac (or less)  
 — OPM-NG-SM3: 600Vac (or less) UL and CSA 30A  
 — OPM-NG-SM3: 690Vac (or less) IEC 32A

Amps: — OPM-NG-SC3: 0-30A

— OPM-NG-SM3: 0-30A

SCCR: — OPM-NG-SC3: 200kA

— OPM-NG-SM3: Same as fuse IR, 200kA maximum

**Agency Information:** CE, UL; OPM-NG-SC3 UL Listed, UL 4248, File E14853, Guide IZLT. OPM-NG-SM3, UL Recognized, UL 4248, File E14853, Guide IZLT2. CSA Certified, C22.2 No. 4248, Class 6225-01, File 47235. IEC 60947-3 Utilization Category AC20B.

**Handling & Storage Temperature:** -10° to 65°C.

##### Features/Benefits

- 45mm width matches IEC starters
- 35mm DIN rail or panel mounting feature. Maximum screw size #8 (M4)
- Pressure plate terminations with dual-wire rated terminals (see Wire Table) and optional auxiliary contacts
- Integrated collapsible handle and fuse carrier cannot be removed from holder base
- Padlockable and IP20 finger-safe to IEC60529

##### Typical Applications

- Mass Produced Control Systems
- Process Control Systems
- Automated Warehouse Systems
- Individual Control Circuits

#### Fuse Holder Wire Range:

- 75°Cu Only
- #18-12 Single/Dual, torque 15lb-in
- #10-8 Single/Dual, torque 20lb-in
- Dual wire with same gauge and type

		75° Cu Only		C
		AWG	[mm <sup>2</sup> ]	
Solid		#18-8 x 1	1-6 x 1	18-12 Single/Dual 15lb-in (1.7 N·m)
		#18-8 x 2	1-6 x 2	
Stranded		#18-8 x 1	1-6 x 1	10-8 Single/Dual
		#18-8 x 2	1-6 x 2	
Ferrules			1-4 x 1	20lb-in (2.5 N·m)
			1-4 x 2	

#### Input Power Terminal Wire Range:

Wiring	Conductor	Wire Range
Solid	(1) #14 to #2 (1.5 to 25mm <sup>2</sup> ) or conductor	
	(2) #14 to #6 (1.5 to 10mm <sup>2</sup> ) conductors	
Stranded	(1) #14 to #2 (1.5 to 25mm <sup>2</sup> ) conductor or	
	(2) #12 to #6 (2.5 to 10mm <sup>2</sup> ) conductors	
Tightening Torque:	Connector	20lb-in (2.2 N·m)
	Screw Clamp	15lb-in (1.7 N·m)

#### Materials:

- **Housing:** Thermoplastic - ULV2
- **Clip:** Tin-plated copper alloy
- **Contact lubricant:** Fluoroether grease
- **Saddle screw:** Plated steel
- **DIN rail springs:** Stainless steel

#### Optional Accessories:

##### Comb Bar (Max current rating = 63A)

OPMNGSA245	2 circuit, 45mm between same phases
OPMNGSA254	2 circuit, 54mm between same phases
OPMNGSA272	2 circuit, 72mm between same phases
OPMNGSA345	3 circuit, 45mm between same phases
OPMNGSA354	3 circuit, 54mm between same phases
OPMNGSA445	4 circuit, 45mm between same phases
OPMNGSA454	4 circuit, 54mm between same phases
OPMNGSA472	4 circuit, 72mm between same phases
OPMNGSA554	5 circuit, 54mm between same phases

##### Input Terminal Block (Max current rating = 63A)

OPMNGSA005	Input/Feed Through Power Terminal, Supports feed through to another system, DIN rail mount only
OPMNGSA009	Input Power Terminal

##### Cover

OPMNGSA010	Protective Cover for unused terminals on comb bar
------------	---

##### Auxiliary Contacts

OPMNGSAAUX11	NO/NC
OPMNGSAAUX20	NO/NO

##### Marking Tabs

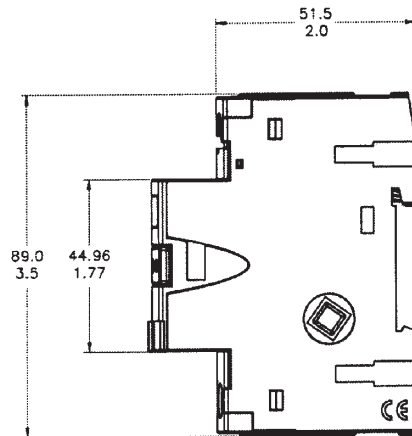
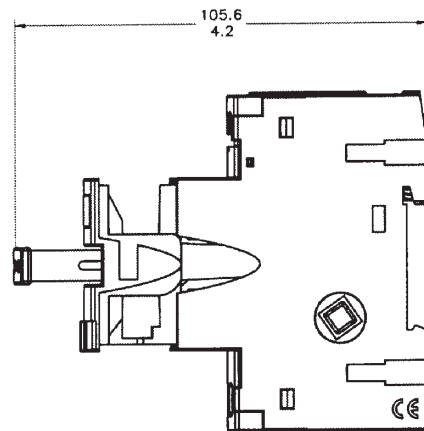
OPMNGSA101	Marking Tab - Mounts to front of carrier, quantity 100
------------	--

## Optima® Three-pole Overcurrent Protection Module

### Optional Accessories



### Dimensions Millimeters ( $\pm 0.38$ ), Inches ( $\pm .015$ )



Fuse Holders & Blocks

## Class J Modular Fuse Holders

CH \_ \_ J \_

### Specifications

**Description:** IP20 finger-safe, 1- to 3-pole Class J fuse holder with DIN rail or panel mounting.

### Ratings:

Volts: — 600Vac/dc (or less)

Amps: — 30A (30A version)

— 60A (60A version)

Withstand Rating SCCR: — 200kA

**Wire Range:** Cu solid and stranded conductors with single (1-18AWG) and dual (3-18AWG) wire ratings. See Catalog Numbers table for details.

**Torque Rating:** 10-18AWG 24 lb-in.  
1-8AWG 35 lb-in.

**Poles:** 1-, 2- or 3-Pole.

### Storage & Operating Temperature Range\*:

-20°C to 75°C.

**Agency Information:** CE, UL 4248/CSA 22.2 No. 4248.

**Flammability Rating:** UL 94V0.

### Catalog Numbers

See Catalog Numbers table below.

### Features and Benefits

- Choice of local fuse indication; *easyID*™ viewing window (for seeing indicator on LPJ-SPI indicating fuse) or neon lamp.
- Versatile 1-, 2- and 3-pole versions for 0-30A and 35-60A fuses with dual wire rated connections simplify wiring.
- Improved electrical safety with IP20 finger-safe construction with lock-out/tag-out feature. 3-phase fuse extraction assures all phases are opened for service work.
- Flexible panel/35mm DIN rail mounting options

\*For fuse selection on applications above or below 25°C, consult derating charts in Cooper Bussmann publication "Selecting Protective Devices" (SPD).



30 Amp Version

60 Amp Version

### Dimensions (mm):

Fuse Size	Poles	W	D	H
0-30A	1	32	70	115
	2	64	70	115
	3	96	70	115
35-60A	1	40	83	125
	2	80	83	125
	3	120	83	125

### Catalog Numbers

Catalog Numbers	Amp Rating	Volts (AC/DC)	# of Poles	IP20 Finger-Safe	Mounting	Padlockable	Local Indication	AWG Single Wire Range
CH30J1	30	600	1	Yes	35mm DIN/ Panel	Yes	<i>easyID</i> **	1-18
CH30J1I	30	600	1	Yes	35mm DIN/ Panel	Yes	Neon Lamp***	1-18
CH30J2	30	600	2	Yes	35mm DIN/ Panel	Yes	<i>easyID</i> **	1-18
CH30J2I	30	600	2	Yes	35mm DIN/ Panel	Yes	Neon Lamp***	1-18
CH30J3	30	600	3	Yes	35mm DIN/ Panel	Yes	<i>easyID</i> **	1-18
CH30J3I	30	600	3	Yes	35mm DIN/ Panel	Yes	Neon Lamp**	1-18
CH60J1	60	600	1	Yes	35mm DIN/ Panel	Yes	<i>easyID</i> **	1-18
CH60J1I	60	600	1	Yes	35mm DIN/ Panel	Yes	Neon Lamp***	1-18
CH60J2	60	600	2	Yes	35mm DIN/ Panel	Yes	<i>easyID</i> **	1-18
CH60J2I	60	600	2	Yes	35mm DIN/ Panel	Yes	Neon Lamp***	1-18
CH60J3	60	600	3	Yes	35mm DIN/ Panel	Yes	<i>easyID</i> **	1-18
CH60J3I	60	600	3	Yes	35mm DIN/ Panel	Yes	Neon Lamp***	1-18

\*\* *easyID*™ viewing window, requires use of Cooper Bussmann LPJ\_SPI permanent indication fuses.

\*\*\* Indication non-fuse dependent, minimum voltage 90Vac/115Vdc.

Data Sheet: 2144

## Class J (Finger-safe) Fuse Holders

### Safety J™ — JT(N)60030 & JT(N)60060

#### Specifications

**Description:** Indicating and non-indicating finger-safe, DIN rail mount fuse holders for use with Class J fuses - (Cooper Bussmann® LPJ, JKS).

**Dimensions:** See Dimensions illustrations.

#### Ratings:

Volts: — 600Vac

Amps: — 0-60A (JT(N)60060)

— 0-30A (JT(N)60030)

SCCR: — 200,000A RMS Sym.

— 300,000A self certified using Cooper Bussmann LPJ\_SP fuses

**Agency Information:** CE, Listed to UL 4248: Guide IZLT, File 14853, CSA Certified: Class 6225-01, File 47235. IP20 per IEC 60529.

**Flammability Rating:** UL 94V0.

**Indication:** Min voltage: 90Vac, 115Vdc; neon lamp “ON” when fuse opens, voltage source and current path are present.

**Terminations:** 30A dual port torque 20lb-in, 60A single port torque 45lb-in, terminal construction, tin-plated copper alloy.

**Wire Size:** JT(N)60030 - rated for 75°C, AWG#18-#8; Cu only, JT(N)60060 - rated for 75°C, AWG#14-#4; Cu only.

(Note: For JT(N)60030 use both stranded or solid, in a variety of dual wire combinations of same wire size and type.)

#### Features and Benefits

- Short-Circuit Current Rating of 300,000A with Cooper Bussmann LPJ\_\_\_SP fuses.
- Rapid, flexible 35 mm DIN rail mounting.
- One piece interlocking design for assembling multiple pole blocks reduces inventory costs.
- Removable fuse carrier allows fuse replacement away from base while maintaining finger-safe rating.

#### Typical Applications

- Industrial Controls
- Process Controls
- Small HP VFDs

#### Catalog Numbers

Catalog Numbers	Amps	Indication
JT60030	30	Non-indicating
JT60060	60	Non-indicating
JTN60030	30	Indicating (Neon)
JTN60060	60	Indicating (Neon)



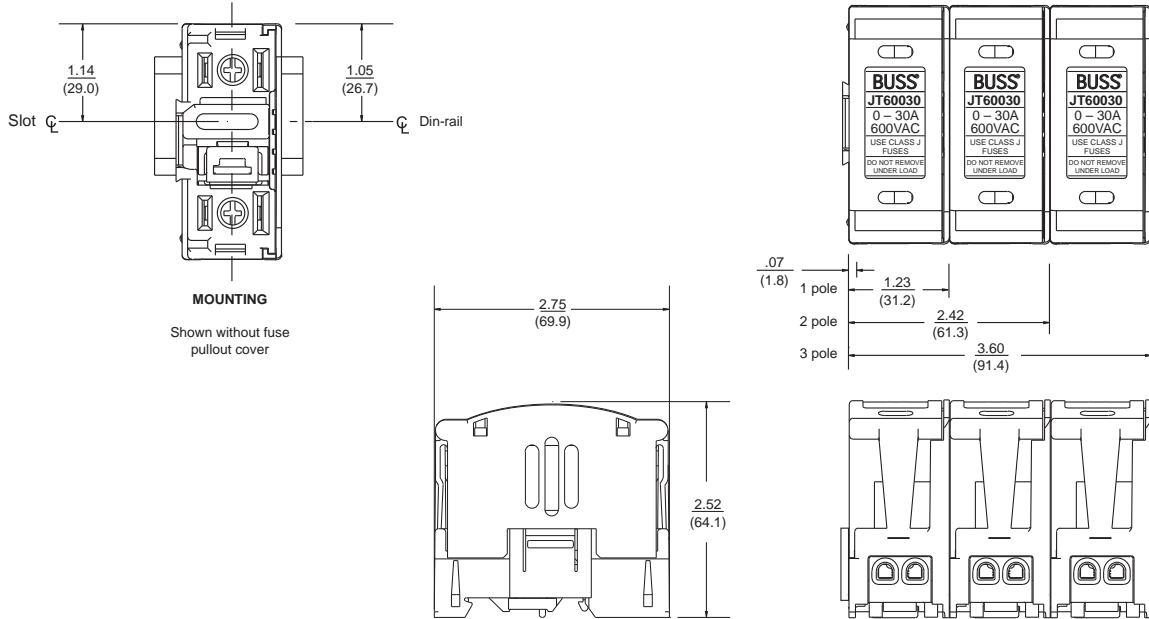
30 Amp Version



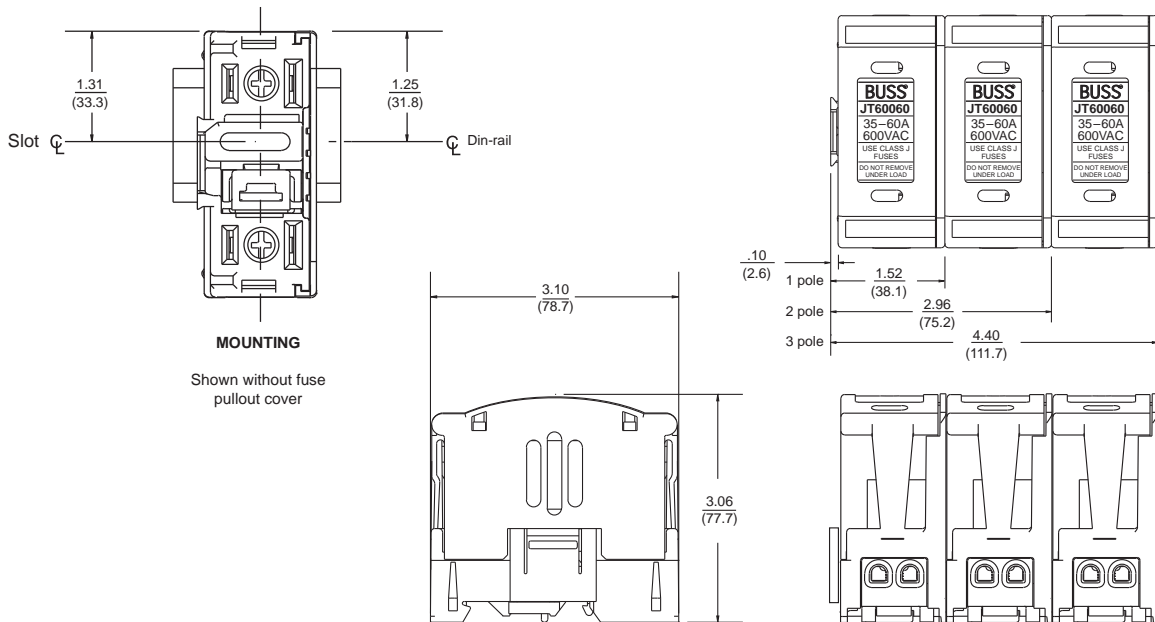
60 Amp Version

## Class J (Finger-safe) Fuse Holders

Dimensions for JT60030 & JTN60030 — in (mm)



Dimensions for JT60060 & JTN60060 — in (mm)



JT(N)600 Series fuse blocks can be dovetailed together within the same current rating to provide multiple pole block configurations.

NOTE: JT(N)60030 cannot be dovetailed to JT(N)60060.



## Global Modular Fuse Holders

### CH Series - 8x32, 10x38, 14x51, 22x58, Class CC

#### Specifications

**Description:** The 'CH' line of modular fuse holders accommodates many fuses from around the world, including North American Class-CC, Midget, Class gR, aR HSF, and IEC Industrial Ferrule (Class gG and aM) in four physical sizes: 8x32, 10x38, 14x51 and 22x58mm.

**Agency Information:** Manufactured in accordance with IEC 60269 and IEC 60947-3. Agency Compliance as indicated in the Catalog Numbers table.

#### Features/Benefits

- Optional open fuse indication (minimum 90Vac, 115Vdc for indicator lights)
- 14x51 & 22x58mm configurations available with optional micro-switches for remote open fuse indication, pre-breaking, and fuse presence
- Multi-phase connections available for ganging poles
- Low voltage indicating device available for CC and midget (48V)

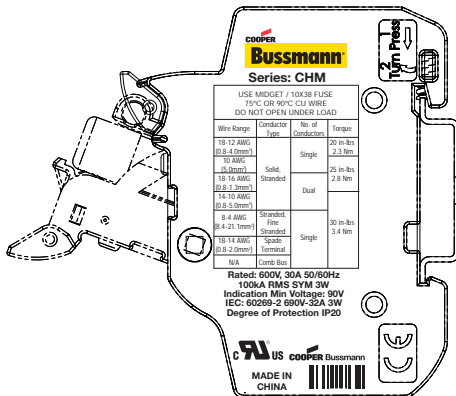


### Modular Fuse Holder Selection Table (10 x 38 and CC)

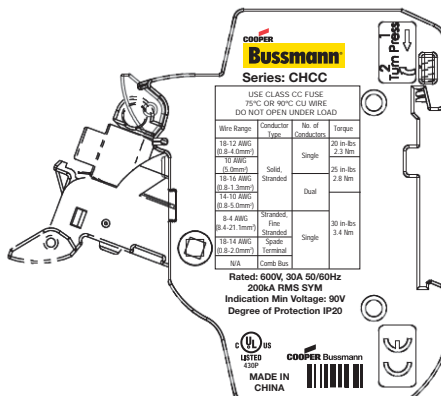
Series & Size	Catalog Number		Voltage & Current	Agency Markings	Number of Poles	Terminal Rating	SCCR Rating	Cooper Bussmann Fuses		
	With Indicator	Without Indicator								
CHM 10x38 and Midget	CHM1DIU	CHM1DU	UL 600V/30A; IEC 690V/32A	cURus; IEC 60269-2	1	Solid, Stranded, Fine Stranded, Spade Lug, Comb Bus Bar; Single and Dual Wire; 75°C and 90°C Cu wire	100kA rms sym	FNQ, KLM, FNM, KTK, BAF, FWA, DCM, C10 SERIES, AGU, BAN, FWC		
	CHM2DIU	CHM2DU			2					
	CHM3DIU	CHM3DU			3					
	CHM4DIU	CHM4DU			4					
	CHM1DNIU	CHM1DNU	UL 48Vdc/30A; IEC 48Vdc/32A	IEC 60269-2	1 pole + 1 neutral					
	CHM3DNIU	CHM3DNU			3 poles + 1 neutral					
	CHM1DI-48U			1						
		CHM1DNXU	IEC 690V/32A	IEC60269-2	1 neutral	n/a	n/a			
CHPV	CHPV1IU	CHPV1U	UL & IEC; 1000Vdc/30A	UR, CSA, UL4248-18, IEC60269-1	1	75°C and 90°C Cu wire	33kA	Solar PV series		
	CHPV2IU	CHPV2U			2					
CHCC Class CC	CHCC1DIU	CHCC1DU	UL 600V/30A	cULus	1				200kA rms sym	LP-CC, FNQ-R, KTK-R
	CHCC2DIU	CHCC2DU			2					
	CHCC3DIU	CHCC3DU			3					
		CHCC1DI-48U	UL 48Vdc/30A		1					

Fuse Holders & Blocks

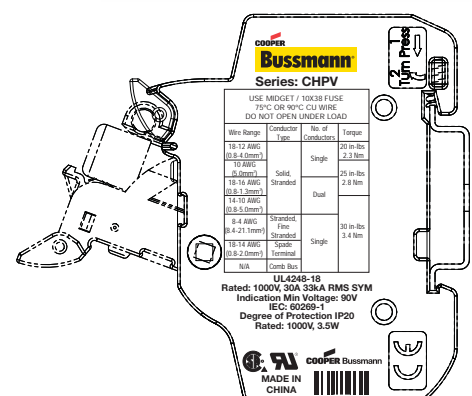
#### CHM & CHMI



#### CHCC & CHCCI



#### CHPV & CHPVI



## Global Modular Fuse Holders

### Modular Fuseholder Selection Table (8x32, 14x51, and 22x58)

#### Part Numbers

Series/ Size	Catalog Numbers		Max Voltage & Current	IEC	UL	Phase Configuration	No. of 17.5mm Modules*	Box Qty.	Wire Range	Maximum Torque			
	W/O Indication	W/Indication											
CH08 8X32	CH081D	CH081DI	IEC 400Vac 25A	•		1-pole	1	12	1-16mm <sup>2</sup> (18-6 AWG)	2.5 N•m (22in-lb)			
	CH081DNX	-				1 Neutral Pole	1	12					
	CH081DNS	CH081DNSI				1-pole + Neutral	1	12					
	CH081DN	CH081DNI				IEC 400Vac 25A	•		1-pole + Neutral	2	6	1-16mm <sup>2</sup> (18-6 AWG)	2.5 N•m (22in-lb)
	CH082D	CH082DI							2-pole	2	6		
	CH083D	CH083DI							3-pole	3	4		
	CH083DNS	CH083DNSI							3-pole + Neutral	3	4		
	CH083DN	CH083DNI							3-pole + Neutral	4	3		
	CH084D	CH084DI							4-pole	4	3		
CH14 14X51	CH141D	CH141DICH1	UL/cURus 600Vac/dc, 40A (5 Watt) IEC 690Vac, 50A	•		1-pole	1.5	6	2.5-16mm <sup>2</sup> (14-6 AWG)	3.0 N•m (26in-lb)			
	CH141DMS	-14X51				1-pole + Microswitch	1.5	6					
	CH141DNX	-				1 Neutral Pole	1.5	6					
	CH141DN	CH141DNI				1-pole + Neutral	3	3					
	CH142D	CH142DI				2-pole	3	3					
	CH143D	CH143DI				3-pole	4.5	2					
	CH143DMS	-				3-pole + Microswitch	4.5	2					
	CH143DN	CH143DNI				3-pole + Neutral	6	1					
	CH143DNMS	-				3-pole + Neutral + Microswitch	6	1					
CH144D	CH144DI	4-pole	6	1									
CH22 22X58	CH221B	Not Available with local neon indication (remote microswitch only)	UL/cURus 600Vac/dc, 100A (9.5 Watt) IEC 690Vac, 125A	•	†	1-pole	2	6	2.5-50mm <sup>2</sup> (14-1 AWG)	4.0 N•m (35in-lb)			
	CH221BMS					1-pole + Microswitch	2	6					
	CH221BNX					1 Neutral Pole	2	6					
	CH221BN					1-pole + Neutral	4	3					
	CH222B					2-pole	4	3					
	CH223B					3-pole	6	2					
	CH223BMS					3-pole + Microswitch	6	2					
	CH223BN					3-pole + Neutral	8	1					
	CH223BNMS					3-pole + Neutral + Microswitch	8	1					
CH224B	4-pole	8	1										

† UL Recognized (cURus)

†† UL Listed (cULus)

\*Holder width as compared to standard, i.e., 1 = 17.5mm module 2 = 35mm.

\*\*90V minimum required for illumination

#### Accessories for CH Series

Catalog Numbers	Accessory	For Use with Fuse Holders	No. of Poles	Carton Qty.
AL-D	Multi-Phase Connection Links	CH08 and CH14 Series	-	12
JV-L	Multi-Phase Connection Kit***	CHM and CHCC Series	-	-
CH810-HP CH14-HP	Multi-Phase Handle Pins	CH08 Series CH14 Series	-	10
C08NL C14NL C22NL	Neutral Links	CH08 Series CH14 Series CH22 Series	-	10
CH14MS-1D		CH141 Series	1	5
CH14MS-3D		CH143 Series	3	2
CH-PLC****	PLC Module	CHM and CHCC Series	1	1
CH22LS	22x58 Lock Support	CH22 Series	-	5
CH22IP20	22x58 IP20 Protection Accessory	CH22 Series	-	12

\*\*\*Kit contains 3-Spring pins and 6-connection links

\*\*\*\*OL Listed (cULus)

Multi-Phase Connection Links



Multi-Phase Handle Pins



Neutral Links



Operated-Fuse Micro-Switches



Programmable Logic Controller (PLC)



## SAMI™ Fuse Covers

### SAMI™ Series



#### Specifications

**Description:** Indicating and non-indicating fuse covers for Class J, RK1, RK5, H, K5, CC, G (0-30A) and midget-type fuses. Indicating feature requires a minimum of 90Vac or 115Vdc to illuminate lamp. One cover required for each pole.

**WARNING:** To avoid electrical shock, turn power off before installing, removing or servicing.

**Dimensions:** See Dimensions illustration.

#### Ratings:

Volts: — Non-Indicating - 0-600Vac/dc  
 — Indicating - 90 to 600Vac  
 -115 to 600Vdc

Amps: — 0-100A

**Agency Information:** CE, UL Listed; SAMI-11 through SAMI-61, SAMI-81 and SAMI-91, SAMI-1N through SAMI-6N, SAMI-8N and SAMI-9N, UL Recognized; SAMI-71 and SAMI-7N, CSA Certified, File LR47235-93C.

#### Catalog Numbers

Catalog Numbers*	Description	Dimensions (Inches)		
		A	B	C
SAMI-1_	600V, J (0-30A) and 600V, T (35-60A)**	5.02	1.03	1.94
SAMI-2_	600V, RK, K5, H (0-30A)	7.03	1.30	2.07
SAMI-3_	600V, J (65-100A)	7.03	1.30	2.33
SAMI-4_	250V, RK, K5, H (65-100A)	8.20	1.30	2.18
SAMI-5_	600V, RK, K5, H (35-60A)	8.20	1.30	2.18
SAMI-6_	600V, J (35-60A)	4.98	1.17	2.14
SAMI-7_	600V, Midget, Class CC, G (0-30A)	3.82	0.75	1.72
SAMI-8†_	600V, RK††, K5, H (65-100A)	10.38	1.50	2.33
SAMI-9_	250V, RK, K5, H (0-30A) and 600V, T (0-30A)	3.82	0.75	1.72

\*For indicating cover, add suffix "I", for non-indicating cover, add suffix "N".

Example: SAMI-7I = Indicating, SAMI-7N = Non-indicating.

\*\*Available in non-indicating only.

†SAMI-8A adapter available for small Fusetron® body design. SAMI-8I and SAMI-8N come standard with adapter (SAMI-8A).

††Not for use with KTS-R fuses.

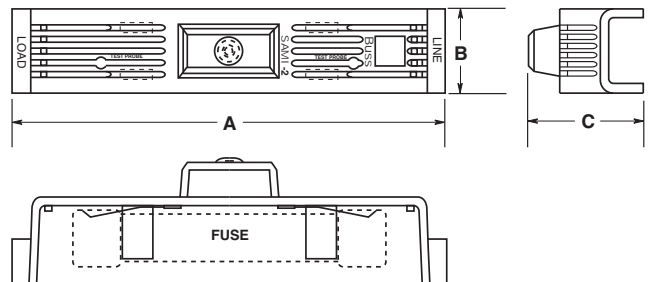
#### Features and Benefits

- Insulated cover allows field conversion of fuses mounted in open fuse blocks to dead front configuration.
- Optional open fuse indicating light aids in system troubleshooting.
- Units are re-usable.
- Allows visual marking of line and load side of fuses.

#### Typical Applications

- Class H, R and J fuse blocks up to 100A
- Class T fuse blocks up to 60A
- Class CC, G and Midget, 30A fuse blocks

#### Dimensions



Fuse Holders & Blocks

## Class H(K) and R Fuse Blocks – 250V

### H250 & R250 Series

#### Specifications

#### Descriptions:

**H250 Series:** 1-, 2- and 3-pole fuse blocks for use with Class H fuses.

**R250 Series:** 1-, 2- and 3-pole fuse blocks for use with Class R fuses (Cooper Bussmann LPN-RK and FRN-R, DLN-R and KTN-R fuses).



**Dimensions:** See Dimensions illustrations.

#### Ratings:

Volts: — 250Vac/dc (H250 & R250 Series)

Amps: — 1/10-600A

SCCR: — H250 Series; 10kA RMS Sym.

— R250 Series; 200kA RMS Sym.

**Agency Information:** CE, UL Listed UL 4248, Guide IZLT, File E14853; CSA Certified, Class 6225-01, File 47235.

**Flammability Rating:** UL 94V0.

#### Features and Benefits

- H250 fuse blocks provide one, two and three pole housing for Class H, K and R fuses at 250Vac.
- H250 fuse blocks are listed with a Short-Circuit Current Rating of 10kA RMS Sym.
- R250 fuse blocks provide one, two and three pole housing for Class R fuses at 250Vac.
- R250 fuse blocks are listed with a Short-Circuit Current Rating of 200kA RMS Sym.

#### Typical Applications

- 250Vac/dc or less Control Systems
- 250Vac/dc or less Industrial Control
- 250Vac/dc or less Industrial Control Circuits

**Recommended DIN rail adapters for the 1/10-30A series**

- see page 413.

Class H Fuseblocks (250V) Catalog Data (for NON and REN Fuses)

Amps	Poles	Terminal Type (Suffix No.)										Figure Number	Wire Range
		Screw					Box Lug w/						
		Catalog Number	—	Clip with Reinforced Spring	Pressure Plate	Pressure Plate & Clip with Reinforced Spring	—	Clip with Reinforced Spring	Copper Only	0.25" Quick Connect			
1/10 to 30	1	H25030-1	S	SR	P	PR	C	CR	—	Q	1	C, CR #2-14 Cu, #2-12 Al P, PR #10-18 Cu Only Q N/A S, SR #10-18 Cu Only	
	2	H25030-2	S	SR	P	PR	C	CR	—	—	2		
	3	H25030-3	S	SR	P	PR	C	CR	—	—	3		
31 to 60	1	H25060-1	—	—	—	—	C	CR	CO	—	4	C, CR #2-14 Cu, #2-8 Al CO #2-14 Cu Only	
	2	H25060-2	—	—	—	—	C	CR	CO	—	5		
	3	H25060-3	—	—	—	—	C	CR	CO	—	6		
61 to 100	1	H25100-1	—	SR	—	—	—	CR	—	—	7	CR #1/0-8 Cu/Al SR #8W/ Ring Terminal	
	2	H25100-2	—	SR	—	—	—	CR	—	—	8		
	3	H25100-3	—	SR	—	—	—	CR	—	—	9		
101 to 200	1	H25200-1	—	—	—	—	—	CR	—	—	10	CR 250kcmil-6 Cu/Al	
	3	H25200-3	—	—	—	—	—	CR	—	—	11		
201 to 400	1	H25400-1	—	—	—	—	—	CR†	—	—	12	CR 500kcmil-4 Cu/Al	
	3	H25400-3	—	—	—	—	—	CR†	—	—	13		
401 to 600	1	H25600-1	—	—	—	—	—	CR	—	—	14	CR (2) 500kcmil-4/0 Cu/Al	
	3	H25600-3	—	—	—	—	—	CR†	—	—	15		

\*UL Recognized, No CSA Certification.

†No UL, No CSA Certification.

## Class H(K) and R Fuse Blocks - 250V

Class R Fuseblocks (250V) Catalog Data (for LPN-RK, FRN-R, DLN-R and KTN-R Fuses)

Amps	Poles	Catalog Number	Terminal Type (Suffix No.)					Fig. No.	Wire Range
			Screw w/		Box Lug w/		0.25" Quick-Connect		
			—	Pres. Plate	—	Clip Cu Only			
1/10 to 30	1	R25030-1	SR	PR	CR	COR	QR*	1	COR #6-14 Cu Only CR #2-14 Cu, #2-12 Al PR #10-18 Cu Only QR N/A SR #10-18 Cu Only
	2	R25030-2	SR	PR	CR	COR	—	2	
	3	R25030-3	SR	PR	CR	COR	—	3	
31 to 60	1	R25060-1	—	—	CR	—	—	4	CR #2-14 Cu, #2-8 Al
	2	R25060-2	—	—	CR	—	—	5	
	3	R25060-3	—	—	CR	—	—	6	
61 to 100	1	R25100-1	—	—	CR	—	—	7	CR 1/0-8 Cu/Al
	2	R25100-2	—	—	CR	—	—	8	
	3	R25100-3	—	—	CR	—	—	9	
101 to 200	1	R25200-1	—	—	CR	—	—	10	CR 250kcmil-6 Cu/Al
	3	R25200-3	—	—	CR	—	—	11	
201 to 400	1	R25400-1	—	—	CR†	—	—	12	CR 500kcmil-4/0 Cu/Al
	3	R25400-3	—	—	CR†	—	—	13	
401 to 600	1	R25600-1	—	—	CR	—	—	14	CR 500kcmil-4/0 Cu/Al
3	R25600-3	—	—	CR†	—	—	15		

\*UL Recognized, No CSA Certification.

†No UL, No CSA Certification.

‡UL Recognized, CSA Certification

### Dimensions - in 250V 1/10 to 30A

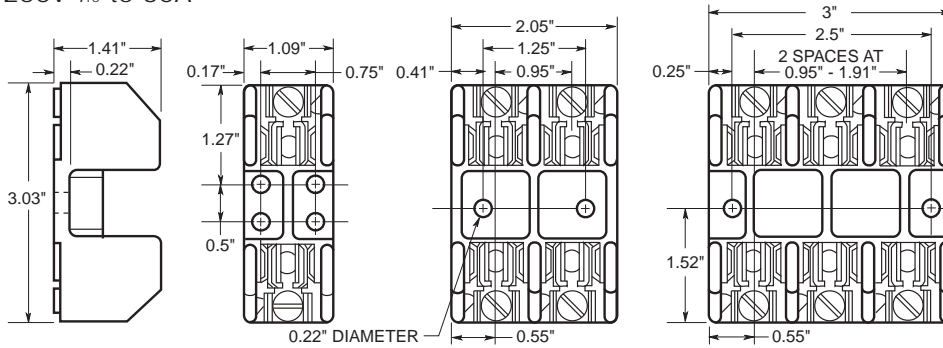


FIGURE 1.

FIGURE 2.

FIGURE 3.

### 250V, 31A to 60A



FIGURE 4.

FIGURE 5.

FIGURE 6.

Data Sheet: H250 Series, 1112; R250 Series, 1110

For product data sheets, visit [www.cooperbussmann.com/datasheets/ulcsa](http://www.cooperbussmann.com/datasheets/ulcsa)

Fuse Holders & Blocks

## Class H(K) and R Fuse Blocks - 250V

250V, 61A to 100A



FIGURE 7.



FIGURE 8.



FIGURE 9.

250V, 101A to 200A



FIGURE 10.

250V, 101A to 200A

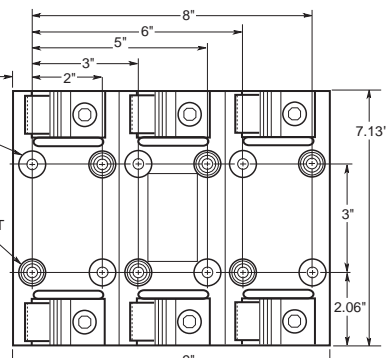
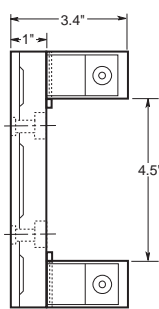


FIGURE 11.

250V, 201A to 400A

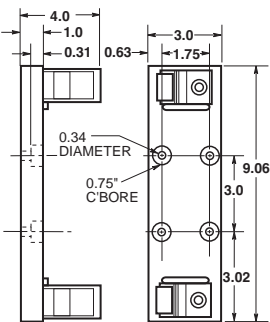


FIGURE 12.

250V, 201A to 400A

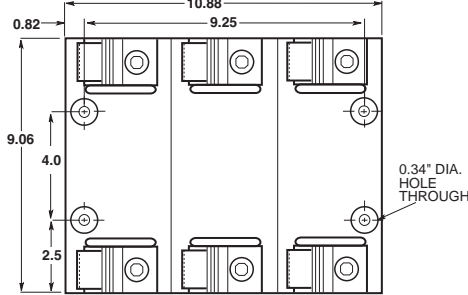
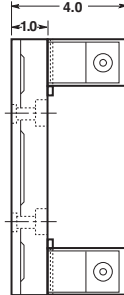


FIGURE 13.

250V, 401A to 600A

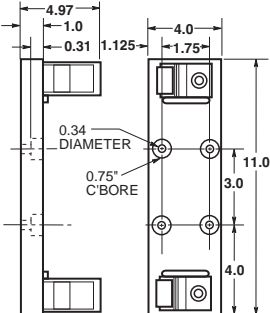


FIGURE 14.

250V, 401A to 600A

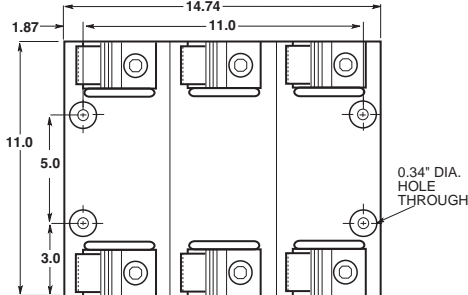
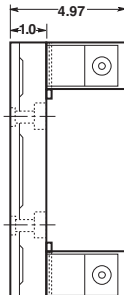


FIGURE 15.

## Class H(K) and R Fuse Blocks – 600V

### H600 & R600 Series

#### Specifications

##### Descriptions:

**H600 Series:** fuse blocks for use with 1-, 2- and 3-pole Class H fuses.

**R600 Series:** fuse blocks for use with 1-, 2- and 3-pole Class R fuses (Cooper Bussmann LPS-RK, FRS-R, DLS-R and KTS-R fuses).

**Dimensions:** See Dimensions illustrations.

##### Ratings:

Volts: — 600Vac/dc (H600 & R600 Series)

Amps: — 1/0-600A

SCCR: — H600 Series; 10kA RMS Sym.

— R600 Series; 200kA RMS Sym.

**Agency Information:** CE, UL Listed UL 4248, Guide IZLT, File E14853; CSA Certified, Class 6225-01, File 47235.

**Flammability Rating:** UL 94V0.



H60030-3C



H60030-2PR

#### Features and Benefits

- H600 fuse blocks provide one-, two- and three-pole housing for Class H, K and R fuses at 600Vac.
- H600 fuse blocks are listed with a Short-Circuit Current Rating of 10kA RMS Sym.
- R600 fuse blocks provide one, two and three pole housing for Class R fuses at 600Vac.
- R600 fuse blocks are listed with a Short-Circuit Current Rating of 200kA RMS Sym.

#### Typical Applications

- 600Vac/dc or less Control Systems
- 600Vac/dc or less Industrial Control
- 600Vac/dc or less Individual Control Circuits

Class H Fuseblocks (600V) Catalog Data (for NOS and RES Fuses)

Amps	Poles	Catalog Number	Terminal Type (Suffix No.)						Figure Number	Wire Range
			Screw			Box Lug w/				
			—	Clip with Reinforced Spring	Pressure Plate	Pressure Plate & Clip with Reinforced Spring	—	Clip with Reinforced Spring		
1/0 to 30	1	H60030-1	S	SR	P	PR	C	CR	1	C, CR #2-14 Cu, #2-12 Al P, PR, S, SR #10-18 Cu Only
	2	H60030-2	S	SR	P	PR	C	CR	2	
	3	H60030-3	S	SR	P	PR	C	CR	3	
31 to 60	1	H60060-1	—	—	—	—	C	CR	4	C, CR #2-14 Cu, #2-8 Al
	2	H60060-2	—	—	—	—	C	CR	5	
61 to 100	1	H60100-1	—	—	—	—	—	CR	7	CR #1/0-8 Cu/Al
	2	H60100-2	—	—	—	—	—	CR	8	
101 to 200	3	H60100-3	—	—	—	—	—	CR	9	CR 250kcmil-6 Cu/Al
	1	H60200-1	—	—	—	—	—	CR	10	
201 to 400	3	H60200-3	—	—	—	—	—	CR	11	CR 500kcmil-4 Cu/Al
	1	H60400-1	—	—	—	—	—	CR†	12	
401 to 600	3	H60400-3	—	—	—	—	—	CR†	13	CR (2) 500kcmil-4/0 Cu/Al
	1	H60600-1	—	—	—	—	—	CR	14	
	3	H60600-3	—	—	—	—	—	CR†	15	

†No UL, No CSA Certification.

‡UL Recognized, CSA Certification

## Class H(K) and R Fuse Blocks – 600V

Class R Fuseblocks (600V) Catalog Data (for LPS-RK, FRS-R, DLS-R and KTS-R Fuses)

Amps	Poles	Catalog Number	Terminal Type (Suffix No.)				Fig. No.	Wire Range
			Screw w/		Box Lug w/			
			—	Pres. Plate	—	Clip Cu Only		
1/80 to 30	1	R60030-1	SR	PR	CR	—	1	COR #6-14 Cu Only
	2	R60030-2	SR	PR	CR	COR	2	CR #2-14 Cu, #2-12 Al
	3	R60030-3	SR	PR	CR	COR	3	PR, SR #10-18 Cu Only
31 to 60	1	R60060-1	—	—	CR	—	4	CR #2-14 Cu, #2-8 Al
	2	R60060-2	—	—	CR	—	5	
	3	R60060-3	—	—	CR	—	6	
61 to 100	1	R60100-1	—	—	CR	—	7	CR, 1/0-8 Cu/Al
	2	R60100-2	—	—	CR	—	8	
	3	R60100-3	—	—	CR	—	9	
101 to 200	1	R60200-1	—	—	CR	—	10	CR 250kcmil-6 Cu/Al
	3	R60200-3	—	—	CR	—	11	
201 to 400	1	R60400-1	—	—	CR†	—	12	CR 500kcmil-4 Cu/Al
	3	R60400-3	—	—	CR†	—	13	
401 to 600	1	R60600-1	—	—	CR	—	14	CR (2) 500kcmil-4/0 Cu/Al
	3	R60600-3	—	—	CR†	—	15	

†No UL, No CSA Certification.

‡UL Recognized, CSA Certification

### Dimensionals – in

600V, 1/80 to 30A

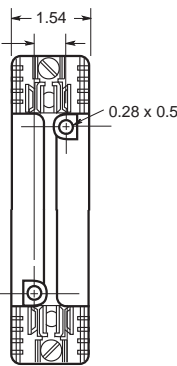
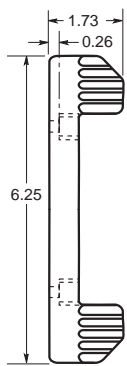


FIGURE 1.

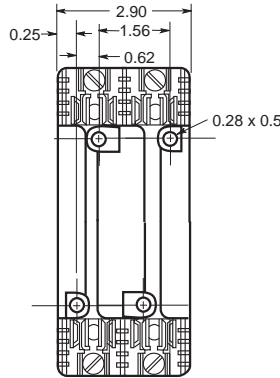


FIGURE 2.

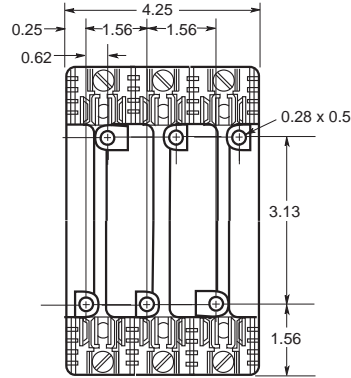


FIGURE 3.

600V, 31 to 60A

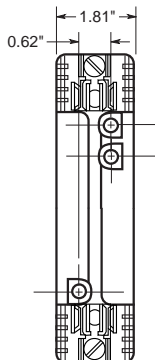
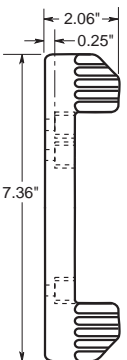


FIGURE 4.

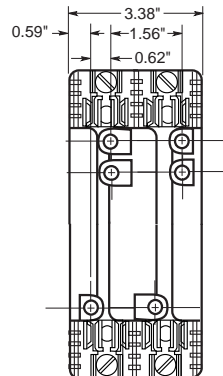


FIGURE 5.

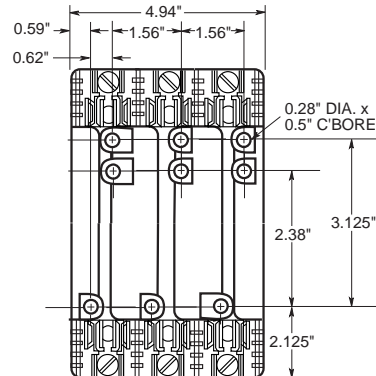


FIGURE 6.



## Class H(K) and R Fuse Blocks - 600V

600V, 61 to 100A

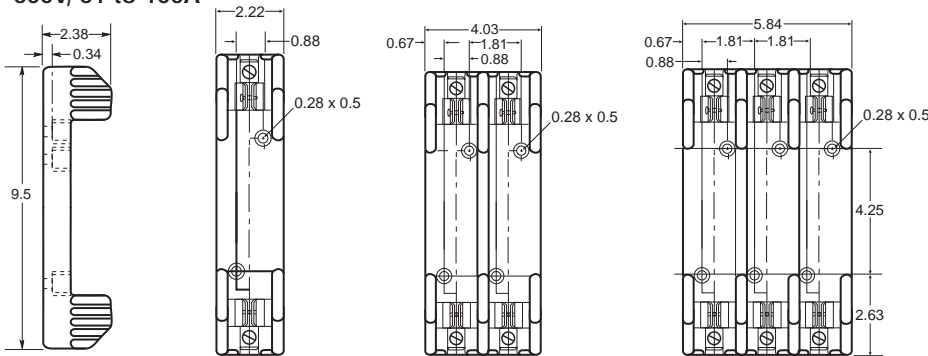


FIGURE 7.

FIGURE 8.

FIGURE 9.

600V, 101 to 200A

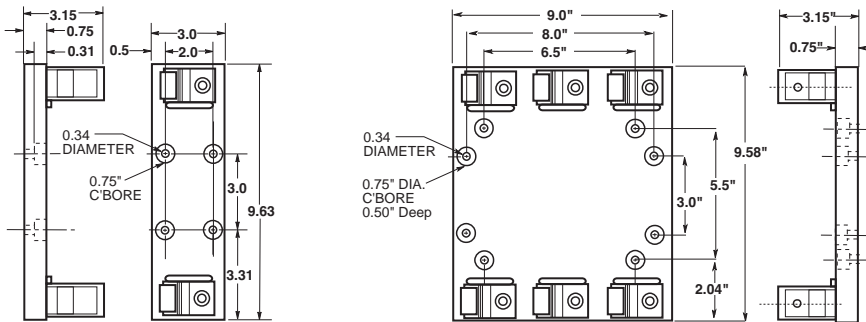


FIGURE 10.

FIGURE 11.

600V, 201 to 400A

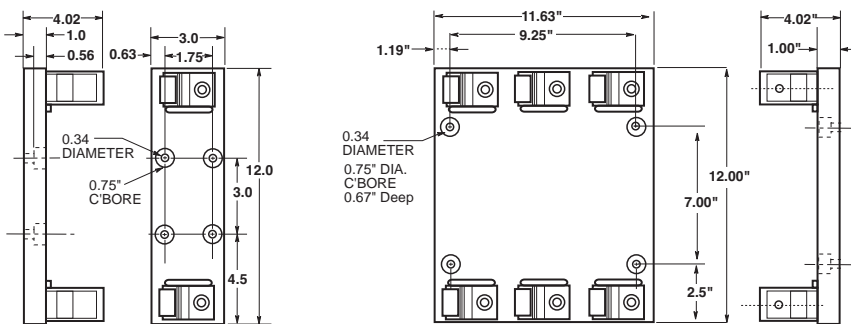


FIGURE 12.

FIGURE 13.

600V, 401 to 600A

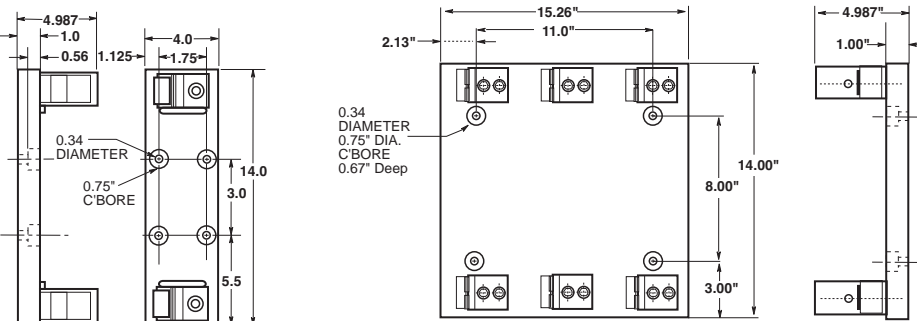


FIGURE 14.

FIGURE 15.

Data Sheet: H600 Series, 1113; R600 Series, 1111

## Class J Fuse Blocks

### J600 Series

#### Specifications

**Description:** 1-, 2- or 3-pole fuse blocks for use with Class J fuses (Cooper Bussmann® LPJ, DFJ and JKS).

**Dimensions:** See Dimensions illustrations.

**Construction:** Thermoplastic.

**Poles:** 1 to 3

#### Ratings:

Volts: — 600Vac/dc

Amps: — ½-600A

SCCR: — 200kA RMS Sym.

**Agency Information:** CE, UL Listed, UL 4248, Guide IZLT, File E14853, CSA Certified, C22.2 No. 4248, Class 6225-01, File 47235.

**Flammability Rating:** UL 94V0.

**Mounting:** Accepts DIN rail adapter DRA-1.

#### Catalog Numbers



#### Features and Benefits

- J600 fuse blocks provide one-, two- and three-pole housing for Class J fuses at 600Vac.
- J600 fuse blocks are listed with a Short-Circuit Current Rating of 200kA RMS Sym.

#### Typical Applications

- 600Vac/dc or less Control Systems
- 600Vac/dc or less Industrial Control
- 600Vac/dc or less Individual Control Circuits

#### Catalog Numbers

Screw†	Pressure Plate†	Box Lug	Box Lug w/ Retaining Clip	Amps	Poles	Fig. No.	Wire Range
J60030-1S*	J60030-1P	J60030-1C	J60030-1CR††	½-30	1	1	C, CR #2-14 Cu, #2-8 Al
J60030-2S*	J60030-2P	J60030-2C	J60030-2CR††		2	2	COR #2-14 Cu Only
J60030-3S*	J60030-3P	J60030-3C	J60030-3CR††		3	3	P, PR, S, SR #10-14 Cu Only
—	—	J60060-1C	J60060-1CR††	31-60	1	1	C, CR, #2-14 Cu/Al COR #4-14 Cu Only
—	—	J60060-2C	J60060-2CR††		2	2	
—	—	J60060-3C	J60060-3CR††		3	3	
—	—	—	J60100-1CR	61-100	1	4	COR 1/0-8 Cu Only
—	—	—	J60100-3CR††		3	5	CR, CRQ 1/0-8 Cu/Al
—	—	—	J60200-1CR	101-200	1	6	CR 250kcmil-6 Cu/Al
—	—	—	J60200-3CR		3	7	
—	—	—	J60400-1CR**	201-400	1	8	CR 500kcmil -4 Cu/Al
—	—	—	J60400-3CR**		3	9	
—	—	—	J60600-1CR	401-600	1	10	CR (2) 500kcmil-4/0 Cu/Al
—	—	—	J60600-3CR*		3	11	

†Clip reinforcing springs are standard on fuse blocks rated 100A and above. Available on 30A and 60A blocks by adding the letter "R" to the end of the part number.

††Copper only connections available by changing "CR" suffix to "COR".

\*No UL, No CSA Certification

\*\*UL Recognized, CSA Certification

#### Dimensions - in (±0.015)

##### ½ - 60A

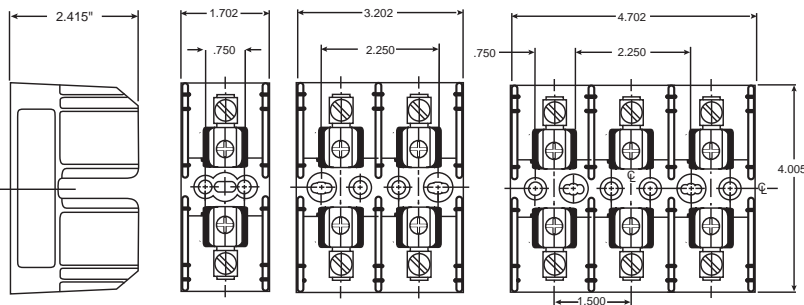


FIGURE 1.

FIGURE 2.

FIGURE 3.

##### 61-100A

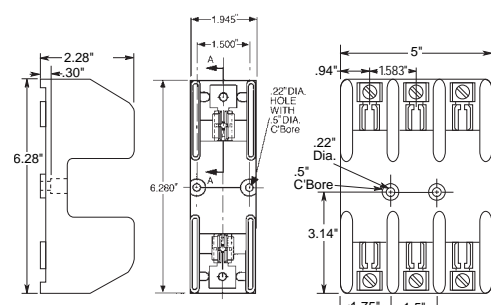


FIGURE 4.

FIGURE 5.

Data Sheet: 1114

## Class J Fuse Blocks

### 101-200A

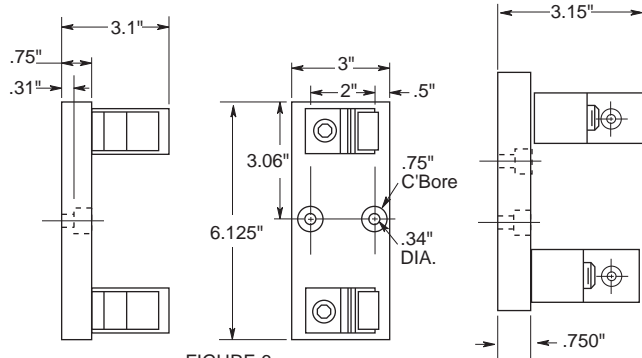


FIGURE 6.

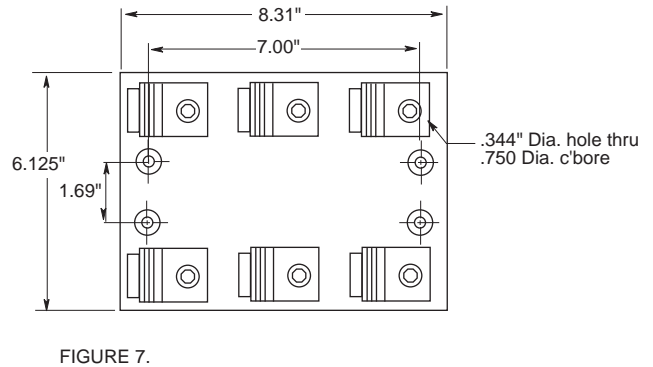


FIGURE 7.

### 201-400A

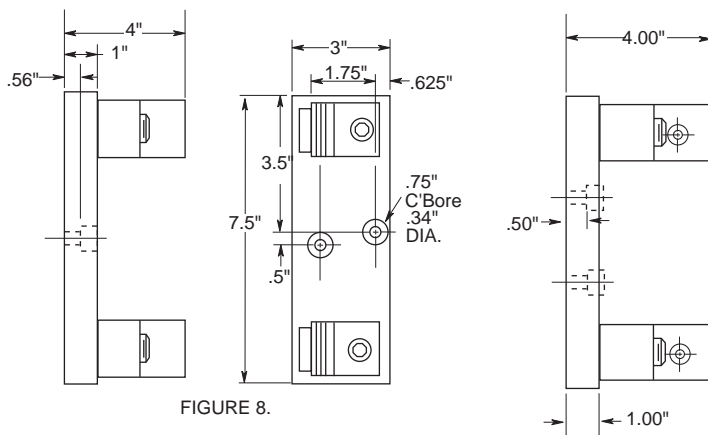


FIGURE 8.

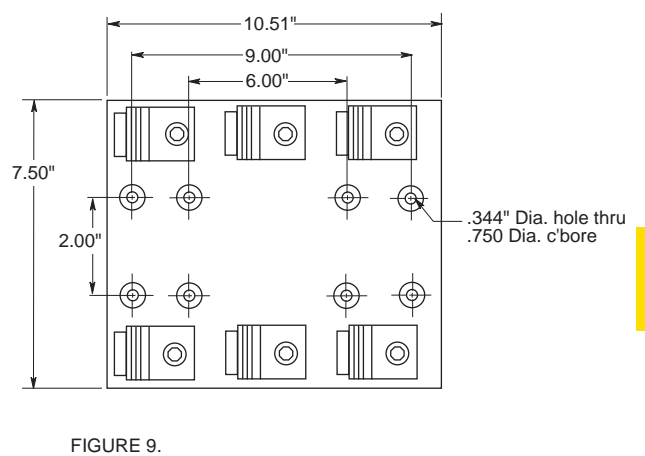


FIGURE 9.

### 401-600A

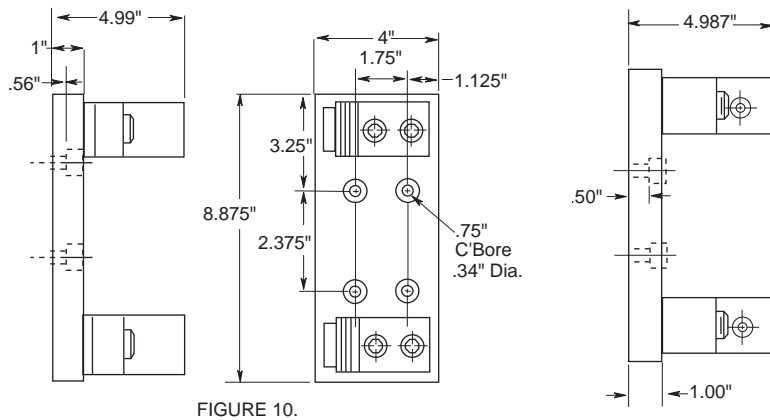


FIGURE 10.

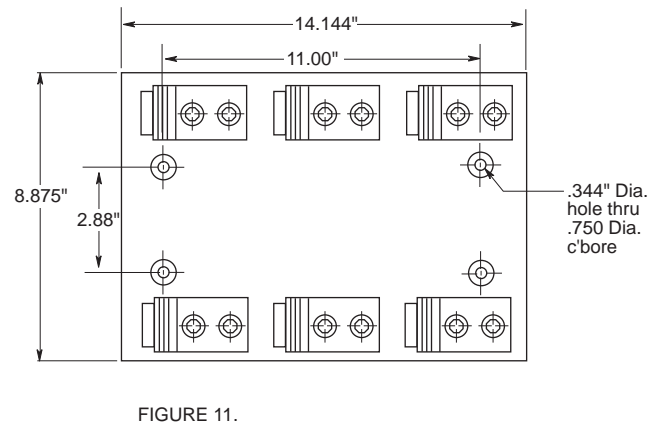


FIGURE 11.

Fuse Holders & Blocks

## Class J Fuse Blocks

### JP Series

#### Specifications

**Description:** Pyramid style 3-pole fuse block for use with Class J fuses (Cooper Bussmann® LPJ, DFJ, JKS).

**Dimensions:** See Dimensions illustrations.

#### Ratings:

Volts: — 600Vac/dc

Amps: — 0-30A

SCCR: — 200kA RMS Sym.

**Agency Information:** CE, UL Listed, UL 4248, Guide IZLT, File E14853, CSA Certified, C22.2 No. 39, Class 4225-04, File 47235.

**Flammability Rating:** UL 94V0.

**Mounting:** Panel or 35mm DIN rail mount.

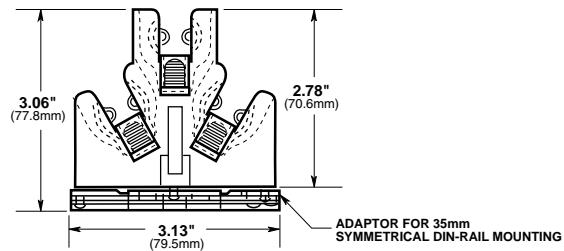
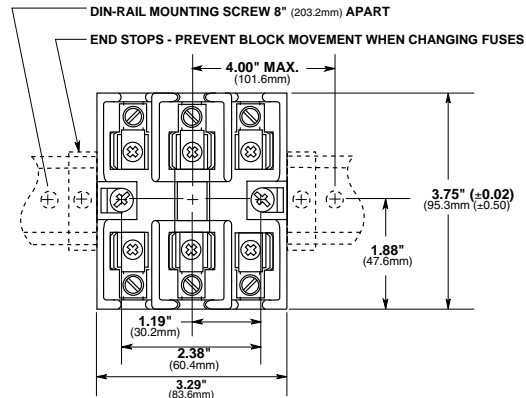
To order DIN rail: Part# NDNA 100 (1 meter) or NDNA 200 (2 meter).

#### Catalog Numbers

Catalog Numbers	Panel	Mounting		Aluminum	Box Copper Only	Wire Range
		With DIN Rail Adapter*	Screws with Pressure Plate			
JP60030-3PR	X		X			#10-14 Cu Only
JP60030-3CR	X			X		#2-14 Cu/Al
JP60030-3COR	X				X	#2-14 Cu Only
JP60030-3PRA		X	X			#10-14 Cu Only
JP60030-3CRA		X		X		#2-14 Cu/Al
JP60030-CORA		X			X	#2-14 Cu Only

\*Adapter only for DIN rail - Cat No. JPA-3.

#### Dimensions - in (mm) ± 0.015" (± 0.40mm)



#### Data Sheet:1108

### JA60030 Add-a-pole

#### Specifications

**Description:** Adder fuse block to achieve number of poles desired, for use with Class J fuses (Cooper Bussmann LPJ, DFJ & JKS).

**Dimensions:** See Dimensions illustrations.

#### Ratings:

Volts: — 600Vac/dc

Amps: — 0-30A

SCCR: — 200kA RMS Sym.

**Agency Information:** UL Listed, UL 4248, Guide IZLT, File E14853, CSA Certified, C22.2 No. 4248, Class 6225-01, File 47235.

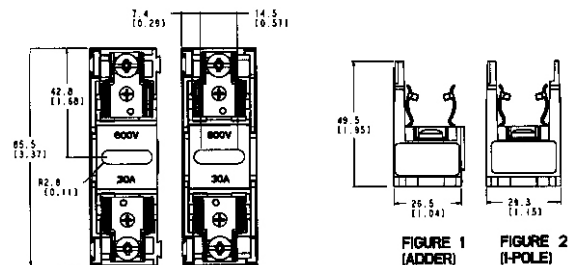
**Flammability Rating:** UL 94V0.

**Mounting:** Panel or 35mm DIN rail mount.

**Features:** Panel and DIN rail mount, adder block, retaining clip



#### Dimensions - in (mm)



Amps	Poles	Screw	Screw w/Retaining Clip	Pressure Plate	Pressure Plate w/Retaining Clip	Box Lug	Box Lug w/Retaining Clip	Wire Range (Cu Only)
½ - 30	ADDER	JA60030-AS	JA60030-ASR	JA60030-AP	JA60030-APR	JA60030-AC	JA60030-ACR	S, SR, P, PR 10 - 18 AWG C, CR, 10 - 14 AWG
	1	JA60030-1S	JA60030-1SR	JA60030-1P	JA60030-1PR	JA60030-1C	JA60030-1CR	
	2	JA60030-2S	JA60030-2SR	JA60030-2P	JA60030-2PR	JA60030-2C	JA60030-2CR	
	3	JA60030-3S	JA60030-3SR	JA60030-3P	JA60030-3PR	JA60030-3C	JA60030-3CR	

## Class T Fuse Blocks – 300V

### T300

#### Specifications

**Description:** T300 (300V) fuse blocks for use with Class T fuses (Cooper Bussmann® JJN).

**Dimensions:** See Dimensions illustrations.

**Poles:** 1 to 4

#### Ratings:

Volts: – 300Vac/dc

Amps: – ½ - 600A

SCCR: – 200kA RMS Sym.

**Agency Information:** CE, UL Listed UL 4248, Guide IZLT, File E14853, CSA Certified, Class 6225-01, File 47235.

**Flammability Rating:** UL 94V0.

#### Features and Benefits

- Provide 1-, 2- and 3-pole housing for 300Vac Class T fuses.
- Short-Circuit Current Rating of 200kA RMS Sym.
- Class T fuse blocks have a small foot print, providing substantial space savings in equipment

#### Typical Applications

- 300Vac/dc or less Control Systems
- 300Vac/dc or less Individual Control Circuits

#### Catalog Numbers

Catalog Numbers					
Screw	Box Lug	Amps	Poles	Fig. No.	Wire Range
T30030-2SR	T30030-2CR	½-30	2	1	SR #10-18 Cu CR #6-14 Cu/Al
T30030-3SR	T30030-3CR		3		
T30030-4SR	T30030-4CR		4		
T30060-2SR	T30060-2CR	31-60	2	1	CR #2-14 Cu/Al SR #10-18 Cu Only
T30060-3SR	T30060-3CR		3		
T30060-4SR	T30060-4CR		4		
—	T30100-1CR	61-100	1	2	1/0-8 Cu/Al
—	T30100-2CR		2		
—	T30100-3CR		3		
—	T30200-1C	101-200	1	3	250kcmil-6 Cu/Al
—	T30200-3C		3	4	
—	T30400-1C	201-400	1	5	600kcmil-2/0 Cu/Al
—	T30600-1C	401-600	1	6	(2) 600kcmil-4/0 Cu/Al



T30100-1CR



T30030-2CR



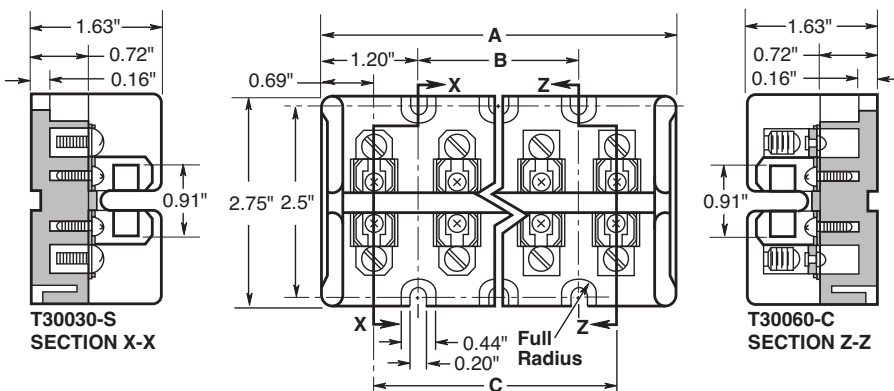
T30600-1C

#### Class T Fuse blocks (300V) Catalog Numbers

Catalog Numbers	Dimensions (in)		
	A	B	C
T30030-2	2.41	—	1.03
T30060-2	2.41	—	1.03
T30030-3	3.44	1.03	2.06
T30060-3	3.44	1.03	2.06
T30030-4	4.47	2.06	3.09
T30060-4	4.47	2.06	3.09

Fuse Holders & Blocks

Dimensions - in Figure 1. ½-60A



Data Sheet: 1115

## Class T Fuse Blocks - 300V

Figure 2. 61 to 100A

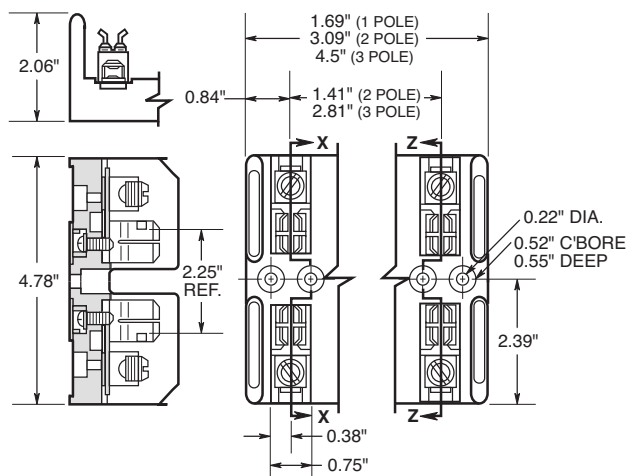


Figure 3. 101 to 200A

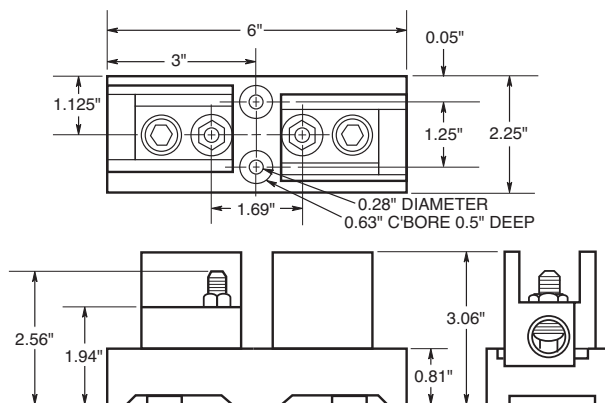


Figure 4. 200A

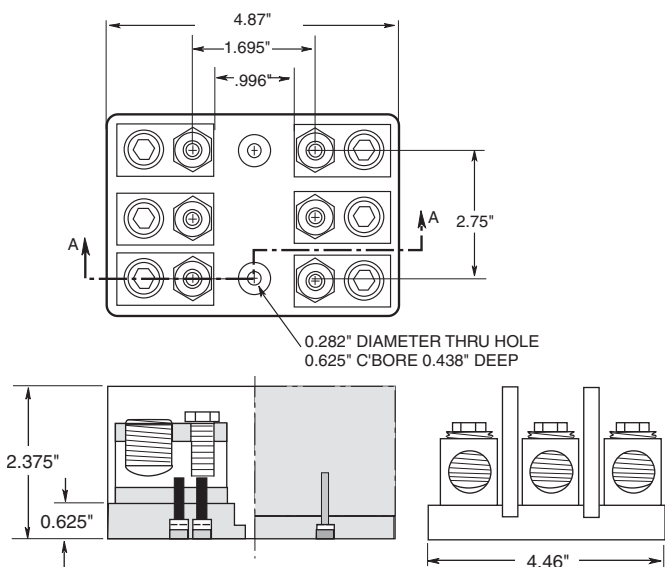


Figure 5. 201 to 400A

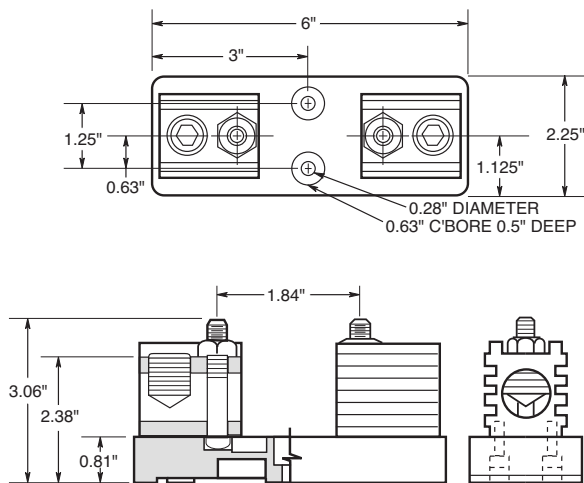
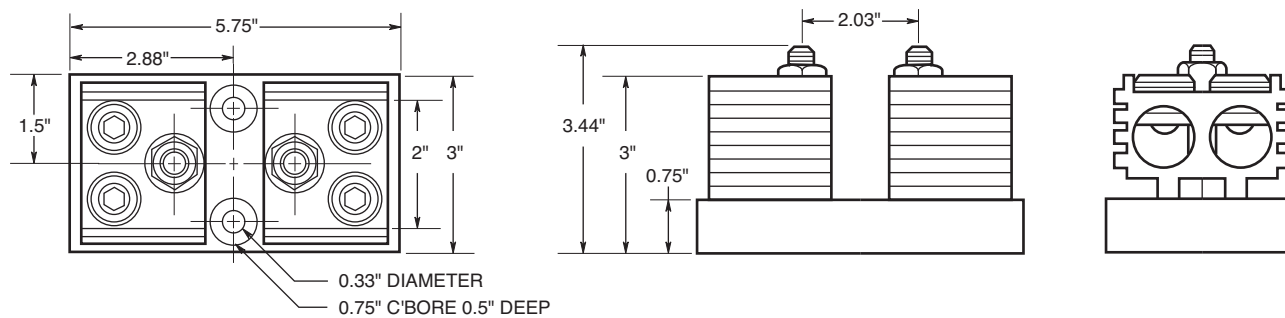


Figure 6. 401 to 600A



## Class T Fuse Blocks – 600V

### T600

#### Specifications

**Description:** T600 (600V) fuse blocks for use with Class T fuses (Cooper Bussmann® JJS).

**Dimensions:** See Dimensions illustrations.

**Poles:** 1 to 3

#### Ratings:

Volts: — 600Vac/dc

Amps: — ½ - 600A

SCCR: — 200kA RMS Sym.

**Agency Information:** CE, UL Listed UL 4248, Guide IZLT, File E14853, CSA Certified, Class 6225-01, File 47235.

**Flammability Rating:** UL 94V0.

#### Features and Benefits

- Provide 1-, 2- and 3-pole housing for 600Vac Class T fuses.
- Short-Circuit Current Rating of 200kA RMS Sym.
- Class T fuse blocks have a small foot print, providing substantial space savings in equipment

#### Typical Applications

- 600Vac/dc or less Control Systems
- 600Vac/dc or less Individual Control Circuits



T60600-1C

T30030-2CR

#### Catalog Numbers

Catalog Numbers					
Screw	Box Lug	Amps	Fig. Poles	No.	Wire Range
T60030-1SR	T60030-1CR	½-30	1	1	SR #10-18 Cu CR #2-14 Cu/Al
T60030-2SR	T60030-2CR		2		
T60030-3SR	T60030-3CR		3		
T60060-1SR	T60060-1CR	31-60	1	2	CR #2-14 Cu/Al SR #10-18 Cu Only
T60060-2SR	T60060-2CR		2		
T60060-3SR	T60060-3CR		3		
—	T60100-1C	61-100	1	3	2/0-14 Cu/Al
—	T60100-2C		2		
—	T60100-3C		3		
—	T60200-1C	101-200	1	4	250kcmil-6 Cu/Al
—	1B0089*		3		
—	T60400-1C	201-400	1	5	600kcmil-2/0 Cu/Al
—	T60600-1C	401-600	1	6	(2) 600kcmil-4/0 Cu/Al

\* UL Listed, Guide IZLT, File E14853, CSA Certified Class 6225-01, File 21455M18

#### Dimensions - in

Figure 1. ½ to 30A

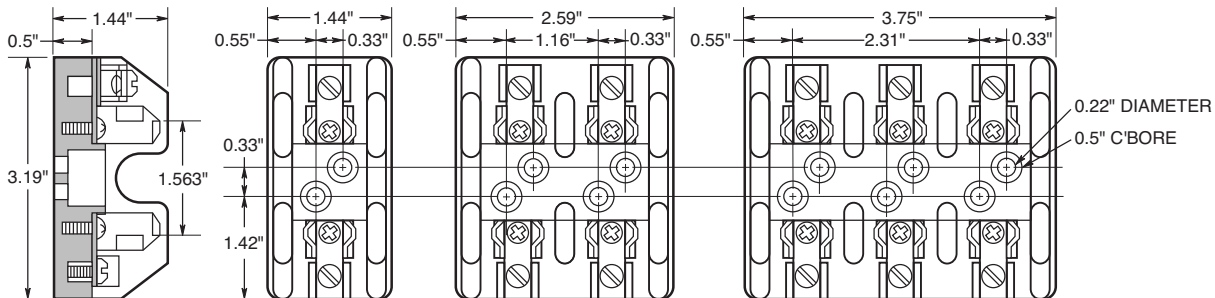
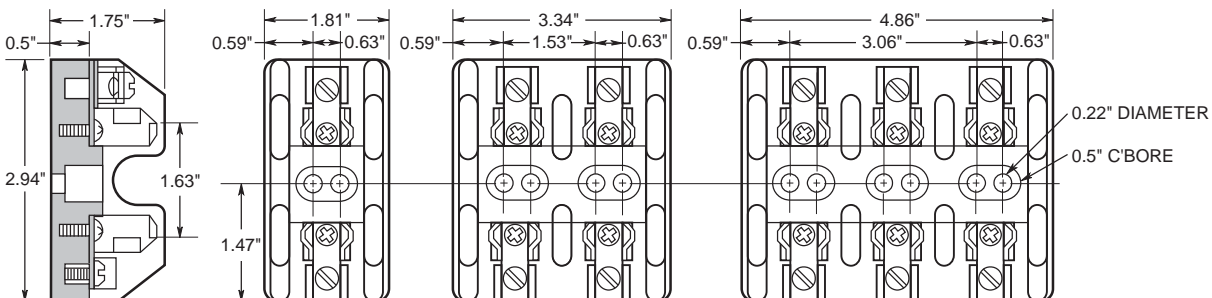


Figure 2. 31 to 60A



Data Sheet: 1116

# Class T Fuse Blocks - 600V

Figure 3. 61 to 100A

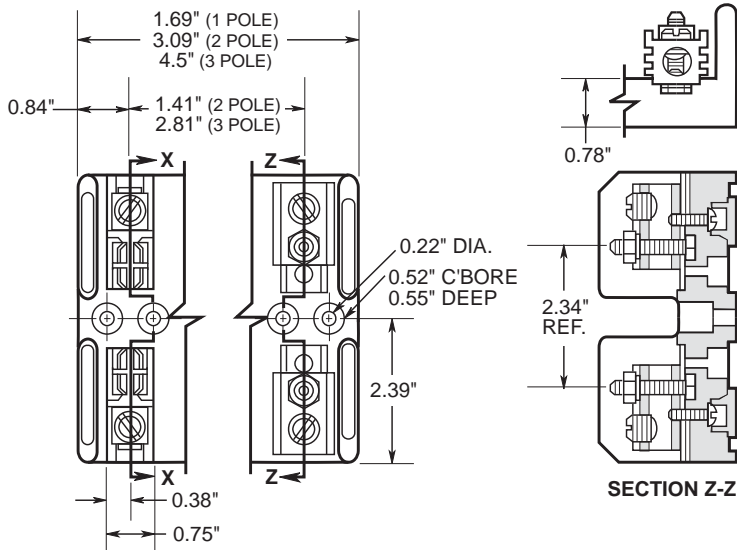


Figure 4. 101 to 200A

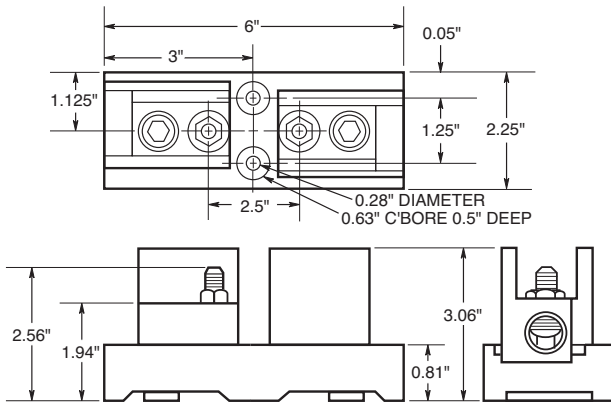


Figure 5. 201 to 400A

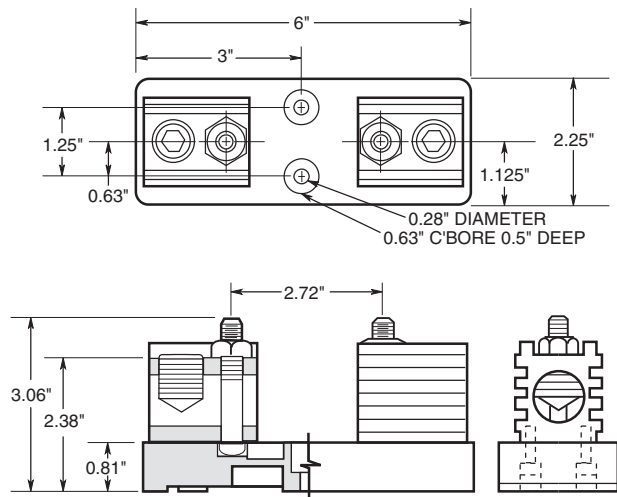
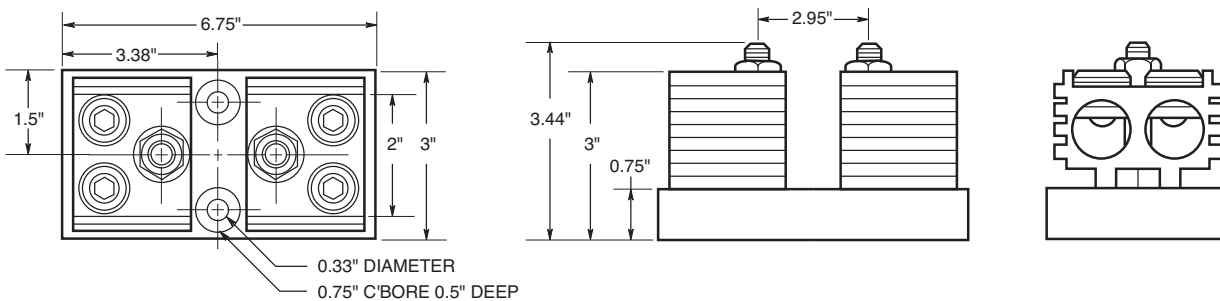


Figure 6. 401 to 600A





## Add-a-pole Fuse Blocks

### BCA Series - Class CC fuses BMA Series - 1 1/2" X 1 1/2" fuses

#### Specifications

**Description:** 1-, 2 and 3-pole fuse blocks for use with Class CC fuses (BCA Series use Cooper Bussmann® LP-CC, KTK-R, and FNQ-R), or with standard 1 1/2" x 1 1/2" fuses (BMA Series use Cooper Bussmann® KTK, FNQ, FNM, BAF, PV and AGU) Both Series use an "adder block" to form multi-pole segmented blocks to achieve the desired number of poles.

**Dimensions:** See Dimensions illustration.

**Poles:** 1 to 3.

**Wire Range:** #10-#18 Cu only.

**Terminals:** Screw/quick connect\* or pressure plate/quick connect\*.

#### Ratings:

Volts: — 600Vac/dc

Amps: — 1/0-30A

SCCR: — BCA Series:  
200kA RMS Sym.  
BMA Series:  
10kA RMS Sym.

#### Agency Information:

**BCA Series:** CE, UL Listed, UL 4248, Guide IZLT, File E14853. CSA Certified, C22.2 No. 4248, Class 6225-01, File 47235.

**BMA Series:** CE, UL Recognized, UL 4248, Guide IZLT2, File E14853. CSA Certified, C22.2 No. 4248, Class 6225-01, File 47235.

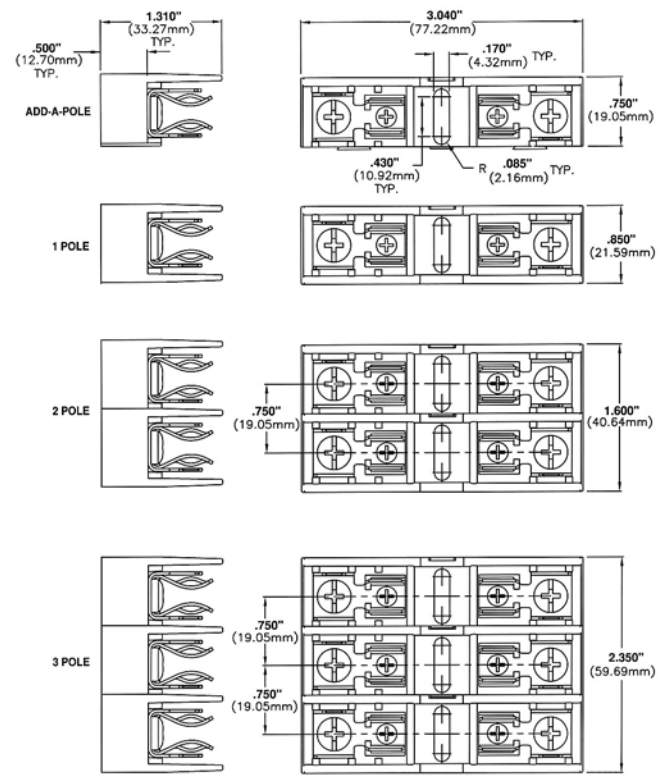
**Flammability Rating:** UL 94V0

\*Quick connect rated for 20A maximum.

#### Catalog Numbers

BCA Series Catalog Numbers	Poles	Terminal Type
BCA603ASQ	Adder Block	Screw w/ quick connect
BCA6031SQ	1	Screw w/ quick connect
BCA6032SQ	2	Screw w/ quick connect
BCA6033SQ	3	Screw w/ quick connect
BCA603APQ	Adder Block	Pressure plate w/ quick connect
BCA6031PQ	1	Pressure plate w/ quick connect
BCA6032PQ	2	Pressure plate w/ quick connect
BCA6033PQ	3	Pressure plate w/ quick connect

#### Dimensions in ± 0.015" (mm 0.38mm)



Fuse Holders & Blocks

BMA Series Catalog Numbers	Poles	Terminal Type
BMA603ASQ	Adder Block	Screw w/ quick connect
BMA6031SQ	1	Screw w/ quick connect
BMA6032SQ	2	Screw w/ quick connect
BMA6033SQ	3	Screw w/ quick connect
BMA603APQ	Adder Block	Pressure plate w/ quick connect
BMA6031PQ	1	Pressure plate w/ quick connect
BMA6032PQ	2	Pressure plate w/ quick connect
BMA6033PQ	3	Pressure plate w/ quick connect

Data Sheets: BCA Series 1154, BMA Series 1155

## Class CC, Type M and Class G Fuse Blocks

### BC Series



#### Specifications

**Description:** Class CC fuse blocks for use with Class CC fuses (Cooper Bussmann LP-CC, KTK-R, and FNQ-R).

**Dimensions:** See Data Sheet 1105

**Poles:** 1 to 3

#### Ratings:

Volts: — 600V

Amps: — 1/0-30A

SCCR: — 200kA RMS Sym.

**Agency Information:** CE, UL Listed (Guide IZLT, File E14853), CSA (Class 6225-01, File 47235)

**Flammability Rating:** UL 94V0

**DIN Rail Adapters:** See page 413 for DRA-1 & DRA-2

#### Catalog Numbers

Screw	Terminal Type				Poles
	Screw with Quick Connect*	Pressure Plate	Pressure Plate w/ Quick Connect*	Box Lug	
BC6031S	BC6031SQ	BC6031P	BC6031PQ	BC6031B	1
BC6032S	BC6032SQ	BC6032P	BC6032PQ	BC6032B	2
BC6033S	BC6033SQ	BC6033P	BC6033PQ	BC6033B	3

Data Sheet: 1105

### BCCM Series

**Description:** 3-pole fuse block for use with (2) Class CC fuses and (1) 1 1/2" x 1 1/2" fuse

#### Catalog Numbers

Catalog Numbers	Terminal Type
BCCM6033SQ	Screw with Quick-Connect*
BCCM6033PQ	Pressure Plate w/Quick-Connect*

\*Quick-connect terminal rated for 20A max.

#### Recommended Cover Puller

- PF1-WH (White)
- PF1-BK (Black)

### BM Series Type M



#### Specifications

**Description:** Supplementary fuse blocks for use with any 1 1/2" x 1 1/2" fuses (Cooper Bussmann® KTK, FNQ, FNM, BAF, PV, and AGU).

**Dimensions:** See Data Sheet 1104

**Poles:** 1 to 3

**DIN Rail Adapters:** See page 413 for DRA-1 & DRA-2

#### Ratings:

Volts: — 600Vac/dc

Amps: — 1/0-30A

SCCR: — 10kA RMS Sym.

**Agency Information:** CE, UL Recognized (Guide IZLT2, File E14853), CSA (Class 6225-01, File 47235).

**Flammability Rating:** UL 94V0.

#### Catalog Numbers

Screw with Quick Connect*	Terminal Type			Poles
	Pressure Plate w/ Quick Connect*	Box Lug		
BM6031SQ	BM6031PQ	BM6031B		1
BM6032SQ	BM6032PQ	BM6032B		2
BM6033SQ	BM6033PQ	BM6033B		3

#### Recommended Cover Puller

- PF1-WH (White)
- PF1-BK (Black)

Data Sheet: 1104

### BG & G Series



#### Specifications

**Description:** Class G fuse blocks for use with Class G fuses (Cooper Bussmann SC).

**Dimensions:** See Data Sheet 1106

**Poles:** 1 to 3

#### Ratings:

Volts: — 600Vac/dc (0-20A)

— 480Vac/dc (25-60A)

Amps: — 1-60A (See Catalog Numbers table)

SCCR: — 100kA RMS Sym.

**Agency Information:** CE, UL Listed 35-60A (Guide IZLT, File E14853), UL Recognized 1-30A, (Guide IZLT2, File E14853), CSA (Class 6225-01, File 47235).

**DIN Rail Adapters:** See page 413 for DRA-1 & DRA-2.

#### Catalog Numbers

Screw with Quick Connect*	Terminal Type				Amps	Poles
	Pressure Plate w/ Quick Connect*	Box Lug	Box Lug w/retaining clip			
BG3011SQ	BG3011PQ	BG3011B	—	1-15	1	
BG3012SQ	BG3012PQ	BG3012B	—		2	
BG3013SQ	BG3013PQ	BG3013B	—	20	3	
BG3021SQ	BG3021PQ	BG3021B	—		1	
BG3022SQ	BG3022PQ	BG3022B	—	25-30	2	
BG3023SQ	BG3023PQ	BG3023B	—		3	
BG3031S	BG3031P	BG3031B	—	35-60	1	
BG3032S	BG3032P	BG3032B	—		2	
BG3033S	BG3033P	BG3033B	—		3	
—	—	—	G30060-1CR	35-60	1	
—	—	—	G30060-2CR		2	
—	—	—	G30060-3CR		3	

#### Recommended Cover Puller

- PF1-WH (White)
- PF1-BK (Black)

Data Sheet: 1106

## Modular Fuse Blocks

### BH Series



#### Specifications

**Description:** For use with Cooper Bussmann® high speed fuses.

#### Ratings:

SCCR: — 200kA RMS Sym. or fuse IR, whichever is lower.

**Agency Information:** CE, UL Recognized, Guide EZLT2, File No. E14853 up to 700V, CSA Certified, Class 6225-01, File No. 47235 up to 700V.

#### BH Series Features and Benefits

- BH fuse blocks provide a wide range of mounting configurations for Cooper Bussmann high speed fuses.
- BH fuse blocks have a Short-Circuit Current Rating of any installed fuse up to 200kA RMS Sym.

#### Typical Applications

- Solid State Control Circuits
- VFDs
- UPS Systems

#### Catalog Numbers

BH-0001	BH-0122	BH-2001	BH-3004
BH-0002	BH-1001	BH-2002	BH-3033
BH-0003	BH-1002	BH-2003	BH-3144
BH-0111	BH-1003	BH-2031	BH-3145
BH-0112	BH-1131	BH-2032	
BH-0113	BH-1132	BH-2033	
BH-0121	BH-1133	BH-3003	

Refer to the data sheet numbers below for the catalog code description information.

Data Sheet: (BH-0) 1200; (BH-1) 1201; (BH-2) 1202; (BH-3) 1203

### Modular Type Fuse blocks for Class H & J Fuses



#### Specifications

**Description:** 3-Pole only, modular type fuse blocks for Class H & J fuses with standard reinforced retaining clips.

#### Ratings:

- Volts: — 250V (0-60A See Catalog Numbers table)
- 600V (35-60A See Catalog Numbers table)
- Amps: — 0-60A @ 250Vac/dc (See Catalog Numbers table)
- 35-60A@600V (See Catalog Numbers table)

SCCR: — Class J 200kA, Class H 10kA

**Agency Information:** CE, UL Recognized, Guide IZLT2, File E14853, CSA Certified, Class 6225-01, File 47235.

#### Class H & J Features and Benefits

- H & J modular fuse blocks provide three pole 30 and 60 amp ratings for specific client requirements for separate line and load fuse clip configurations.

#### Typical Applications

- Up to 60A, space confined, control circuits

Catalog Numbers					
Screw	Pressure Plate	Fuse Class	Volts	Amps	Fig. No.
11241-3SR*	11241-3PR*	H	250	60	1
11242-3SR	11242-3PR				2
11241-3SR	11241-3PR		600	35	1
11242-3SR**	11242-3PR**				2
11239-3SR	11239-3PR	J	600	60	1
11240-3SR**	11240-3PR**				2
11241-3SR	11241-3PR		600	35	1
11239-3SR*	11239-3PR*				60

Note: Order two blocks per fuse (matched or mixed.)

\*11239 and 11241 have wire terminals and mounting holes located under fuse. (Figure 1)

\*\*11240 and 11242 have wire terminals and mounting holes located at end of fuse. (Figure 2)



Figure 1



Figure 2

## Box Cover Units for Plug Fuses

SOU, SRU, SSN, SSU, SOW, SRW, SSW, SOX, SRX, SSX, SOY, SRY, SSY, SSY-RL, SSY-L, STY, SCY, SOY-B & SKA

### Specifications

**Description:** Box covers for standard electrical boxes that provide fused outlet, fused switch or circuit fuse protection.

### Ratings:

Volts: — 125V/250V (See Catalog Numbers table)

Amps: — 0-15A (See Catalog Numbers table)

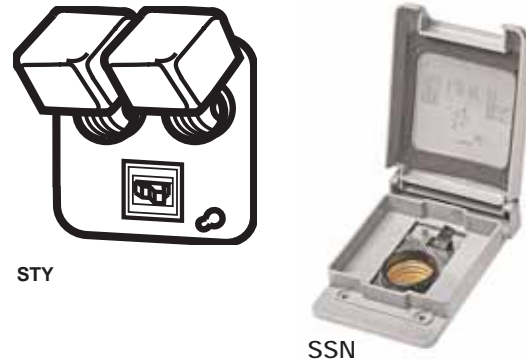
**Agency Information:** CE, See Catalog Numbers table.

### Features/Benefits

- Cooper Bussmann® Box Cover Units provide a low-cost method of controlling and protecting small motors when used with Cooper Bussmann® Type T, Fusetrion® , dual-element fuses.
- Provide low-cost supplementary protection and disconnection of 125V or less, single phase circuits.

### Typical Applications

- Fractional Horsepower, 125 Volt Single-Phase Motor Circuits
- General 125 Volt Supplemental Circuits



### Catalog Numbers

Catalog Numbers	Type Box	Fuse holder <sup>3</sup>		Receptacle Outlet to Load		Switch Control <sup>1</sup>	Switch Light <sup>2</sup>	Motor Size (Max)	General Data	Agency <sup>4</sup> Listing/Certification
		Single	Double	125V	250V					
SOU	2 1/4" Handy	X						3/4hp	125V, 15A	UL, CSA
SRU		X		X				1/2hp	125V, 15A	UL
SSU		X				X		1/2hp	125Vac, (do not use on dc), 15A	UL, CSA
SOW	2 1/4" Switch	X						3/4hp	125V, 15A	UL, CSA
SRW		X		X				1/2hp	125V, 15A	UL
SSW		X				X		1/2HP	125Vac, (do not use on dc), 15A	UL, CSA
SOX	4" Octagon	X						3/4hp	125V, 15A	UL, CSA
SRX		X		X				1/2hp	125V, 15A	UL
SSX		X				X		1/2hp	125Vac, (do not use on dc), 15A	UL, CSA
SOY	4" Square	X						3/4hp	125V, 15A	UL, CSA
SRY		X		X				1/2hp	125V, 15A	UL
SSY		X				X		1/2hp	125Vac, (do not use on dc), 15A	UL, CSA
SSY-RL		X		X		X	X	1/2hp	125Vac, (do not use on dc), 15A	—
STY <sup>3</sup>			X			X		1/2hp	125Vac, (do not use on dc), 15A	UL
SCY				X			X(2)	1/2hp (2)	125Vac, (do not use on dc), can protect two motors, 15A	UL
SOY-B			X				3/4hp	125V, protects two motors, 15A	UL	
SKA	4 1/8" Square		X		X(15A)			2hp	250V, 15A single phase	UL
SSN	Single Gang	X		X		X		1/2hp	Weatherproof model, 15A	UL

1 Switch turns power to fused load OFF or ON.

2 Switch light indicates power to load (dark when switch OFF or fuse open).

3 Double pole switch opens both sides of circuit. Can be used for two separate motors with common switch or a single motor (1/2Hp, 250Vac max.).

4 UL Guide JAMZ, File IE6491; CSA Class 6225-01, File 47235.

## In-line Fuse Holders for 1/4" x 7/8" to 1 1/4" Fuses

### HFB & HFB-10



#### Specifications

**Description:** Waterproof in-line fuse holder for 1/4" x 1 1/4" fuses.

**Dimensions:** See Dimensions illustration.

**Construction:** Thermoplastic rubber body with tin-plated, copper contacts.

#### Ratings:

Volts: — 32V

Amps: — 30A max

#### Catalog Numbers

Catalog Numbers	Description
HFB*	Standard Pack (10-in)
BK/HFB	Bulk Pack (100-in)
BK/1A2294	HFB Replacement Contact Clip
1A2294-01	HFB-10** Replacement Contact Clip

\*HFB accepts #12 to #18 wire leads (not provided). See Data Sheet for recommended crimp tools.

\*\*HFB-10 accepts #10 wire leads (not provided). See Data Sheet for recommended crimp tools.

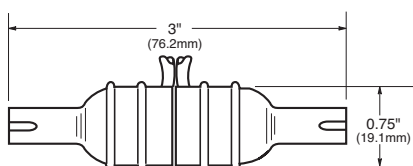
#### Features/Benefits

- Simple assembly with one-piece thermoplastic (important information molded into body)
- High visibility yellow color for easy identification in dark or hard-to-access locations
- Ideal for shock and vibration environments; withstands many organic solvents; temperature range -40/+150°C

#### Typical Applications

- Supplemental, Low Voltage, Low Amperage Control Circuits

#### Dimensions - in (mm)



Data Sheet: 2102

### HHB



#### Specifications

**Description:** Universal in-line fuse holder for 1/4" x 7/8", 1" and 1 1/4" fuses.

**Dimensions:** See Dimensions illustration.

**Construction:** Nylon body with tin-plated, copper contacts.

#### Ratings:

Volts: — 32V

Amps: — 30A max

**Flammability Rating:** UL 94V2.

**Pull Force:** 5lbs minimum to separate fuse holder housing with fuse installed.

#### Features and Benefits

- HHB Universal in-line fuse holder for 1/4" x 7/8", 1" and 1 1/4" fuses.

#### Typical Applications

- Supplemental, Low Voltage, Low Amperage Control Circuits

#### Catalog Numbers

Holder — without leads\* - RoHS compliant

Catalog Numbers	Description
HHB-R	Standard Pack (10-in)
BK/HHB-R	Bulk Pack (100-in)

\*Accepts #12 to #16 wire leads (not provided with basic fuse holder). See Data Sheet for recommended crimp tools.

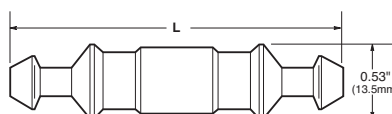
Holder — with pre-attached #14 Insulated lead wires - Not RoHS compliant unless noted

Catalog Numbers	19" Length	8" Length	Wire Color
BK/HHB-Y419	BK/HHB-Y408	Yellow	
BK/HHB-R419	BK/HHB-R408**	Red	
BK/HHB-B419	BK/HHB-B408	Black	

\*\*RoHS compliant.

#### Dimensions - in (mm)

Fuse Length	Fuse Holder Length "L"
7/8" (AGW)	2.100 Max
1" (AGX)	2.250 Max
1 1/4" (AGC, MDL)	2.420 Max



Data Sheet: 2103

### HRK



#### Specifications

**Description:** Universal in-line fuse holder for 1/4" x 7/8" to 1 1/4" fuses.

**Dimensions:** See Dimensions illustration.

**Construction:** 8" (203mm) #14 lead wires.

#### Ratings:

Volts: — 32V

Amps: — 15A max

#### Features and Benefits

- HRK Universal in-line fuse holder for 1/4" x 7/8", 1" and 1 1/4" fuses with #14 lead wires.
- RoHS compliant

#### Typical Applications

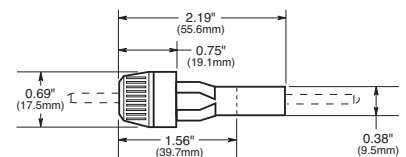
- Supplemental, Low Voltage, Low Amperage Control Circuits

#### Catalog Number

Catalog Number	Amp Rating	Volts	Fuse Description
HRK-R*	15	32	1/4" diameter fuses of different lengths.

\*Three springs furnished with fuse holder to accommodate different length 1/4" fuses.

#### Dimensions - in (mm)



Data Sheet: 2111

## In-line Fuse Holders

### HR and HM Series

#### Specifications

**Description:** In-line fuse holders for SFE and 1/4" dia. x various length fuses.

**Dimensions:** See Dimensions illustration.

#### Ratings:

Volts: — 32V

Amps: — 20A

#### Features and Benefits

- HR and HM Universal in-line fuse holder for SFE and various length 1/4" diameter fuses with #14 lead wires.

#### Typical Applications

- Supplemental, Low Voltage, Low Amperage Control Circuits

#### Catalog Numbers

Catalog Numbers	Includes Fuse	Wire Length & Size
HRJ*	SFE-20	19" of #14
HRI	SFE-14	
HRH	SFE-9	
HRE	SFE-7½	
HRG	SFE-6	
HRF	SFE-4	
HMJ**	SFE-20	8" of #14
HMI	SFE-14	
HMH	SFE-9	
HME	SFE-7½	
HMG	SFE-6	
HMF	SFE-4	

\* Also available as in-line fuse holder only with lead wire contacts, HRJ-LESS-Fuse.

\*\* Also available as in-line fuse holder only with lead wire contacts, HMJ-LESS-Fuse.

HHJ-A For 1/4" x 1 1/4" fuse, no wire or fuse included, accepts #18 - #22 wire.

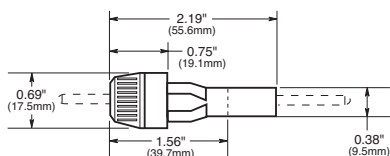
HHJ-B For 1/4" x 1 1/4" fuse, no wire or fuse included, accepts #12 - #16 wire.

HHI-B For 1/4" x 1 1/2" fuse, no wire or fuse included, accepts #12 - #16 wire.

#### Replacement Contacts

Catalog Number	Symbol
9838	HHJ-A
9841	HHJ-B

#### Dimensions - in (mm)



Data Sheet: 2122

### HFA Series



#### Specifications

**Description:** In-line water-resistant fuse holders for 1/4" x 1 1/4" fuses.

**Dimensions:** See Dimensions illustration.

**Construction:** Phenolic body with copper crimp contact leads.

#### Ratings:

Volts: — 250V

Amps: — 20A

**Agency Information:** CE, UL Recognized, (Guide IZLT2, File E14853) UL.

**Flammability Rating:** UL 94HB.

#### Features and Benefits

- HFA in-line, water-resistant fuse holder for 1/4" x 1 1/4" fuses.

#### Typical Applications

- Supplemental, Low Voltage, Low Amperage Control Circuits

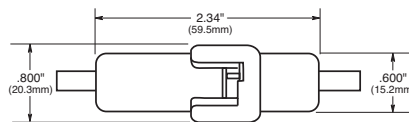
Refer to data sheet for recommend crimp tools

#### Catalog Numbers

Catalog Numbers	Terminals
HFA	Crimp #12 - #16
HFA-HH*	1/4" Quick Connect

\*No UL Recognition.

#### Dimensions - in (mm)



Data Sheet: 2115

### HHT Series



#### Specifications

**Description:** In-line fuse holders for 5 x 15mm or 5 x 20mm fuses.

**Dimensions:** See Dimensions illustration.

**Construction:** Black thermoplastic body with brass contacts, wire: 16 AWG, red.

#### Ratings:

Volts: — 32V

Amps: — 5A (5 x 15mm)  
 — 10A (5 x 20mm)

#### Features and Benefits

- HHT in-line fuse holders for 5 x 15mm and 5 x 20 mm fuses.

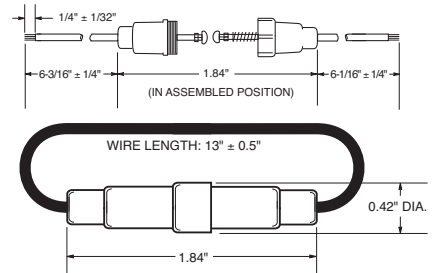
#### Typical Applications

- Supplemental, Low Voltage, Low Amperage Control Circuits

#### Catalog Numbers

Catalog Number	Fuse Size
HHT	5 x 15mm & 5 x 20mm

#### Dimensions - in



Data Sheet: 2138

## Tron™ In-line Fuse Holders

### HEG Series



#### Specifications

**Description:** Single-pole, non-breakaway, in-line fuse holders for Type SC fuses, 480V (or less).

#### Ratings:

Volts: — 600V  
Amps: — 0-15A  
Fuse Size:  $\frac{1}{32}$ " x 1.31"

**Catalog Number**  
HEG-AA

**Optional Boots:**  
2A0660 Single Conductor  
2A0661 Two Conductor

Data Sheet: 2124

### HEH Series



#### Specifications

**Description:** Single-pole, non-breakaway, in-line fuse holders for Type SC fuses (Also fuse types BBS & KTQ, nominal size  $\frac{1}{32}$ " x 1  $\frac{5}{16}$ ").

#### Ratings:

Volts: — 600V  
Amps: — 0-20A  
**Agency Information:** CSA - 15A.

**Catalog Numbers**  
HEH-AA, HEH-AD

**Optional Boots:**  
2A0660 Single Conductor  
2A0661 Two Conductor

Data Sheet: 2124

### HEC Series



#### Specifications

**Description:** Single-pole, non-breakaway, in-line fuse holders for Type SC-25, & SC-30 fuses, size  $\frac{1}{32}$ " x 1  $\frac{5}{16}$ ".

#### Ratings:

Volts: — 480V  
Amps: — 0-30A

**Catalog Numbers**  
HEC-AA, HEC-RW-RLB-R

**Optional Boots:**  
2A0660 Single Conductor  
2A0661 Two Conductor

Data Sheet: 2124

### HEJ Series



#### Specifications

**Description:** Single-pole, non-breakaway, in-line fuse holders for Type SC and Type HVW fuses, size  $\frac{1}{32}$ " x 2  $\frac{1}{4}$ ".

#### Ratings:

Volts: — 480V  
Amps: — 35-60A Type SC  
—  $\frac{1}{2}$ -6A Type HVW

**Catalog Numbers**  
HEJ-AA, HEJ-AB, HEJ-AC, HEJ-BB, HEJ-JJ, HEJ-JK, HEJ-LL, HEJ-LLB, HEJ-CC, HEJ-DD, HEJ-WW, HEJ-PP, HEJ-QQ

**Optional Boots:**  
2A0660 Single Conductor  
2A0661 Two Conductor

Data Sheet: 2123

### HEB Series



#### Specifications

**Description:** Single-pole in-line fuse holders for any  $\frac{1}{32}$ " x 1  $\frac{1}{2}$ " fuses (typically fuse types: BAF, FNM, FNQ, and KTK  $\frac{1}{10}$  - 30A).

#### Ratings:

Volts: — 600V  
Amps: — 0-30A

**Catalog Numbers**  
See Page 280

Data Sheet: 2127

### HET Series



#### Specifications

**Description:** Single-pole in-line fuse holders for  $\frac{1}{32}$ " x 1  $\frac{1}{2}$ " fuses with a permanently solid neutral identified by white plastic coupling nut.

**Catalog Numbers**  
HET-AA, HET-AB, HET-AW, HET-AW-RLC-A, HET-AW-RLC-B, HET-AW-RLC-C, HET-AW-RLC-J, HET-AW-RYC, HET-BB, HET-BW-RLC-B, HET-BW-RYC, HET-JJ, HET-JK, HET-JW, HET-JW-RLC-J, HET-JW-RYC, HET-KK

Data Sheet: 2125

### HEY Series



#### Specifications

**Description:** Double-pole in-line fuse holders for KTK-R fuses with optional breakaway receptacle, polarized, and accepting Class CC branch circuit fuses (Cooper Bussmann® KTK-R, FNQ-R & LP-CC; 600V or less, 200,000A IR).

#### Ratings:

Volts: — 600V  
Amps: — 0-30A

**Catalog Numbers**  
HEY-AA, HEY-AB, HEY-AC, HEY-AD, HEY-AE, HEY-AL, HEY-AW-DRLC-A, HEY-AW-DRLC-B, HEY-AW-DRYC, HEY-BB, HEY-JJ

Data Sheet: 2126

### HEX Series



#### Specifications

**Description:** Double-pole in-line fuse holders for  $\frac{1}{32}$ " x 1  $\frac{1}{2}$ " fuses (typically fuse types BAF, FNM, FNQ, and KTK  $\frac{1}{10}$  - 30A).

#### Ratings:

Volts: — 600V  
Amps: — 0-30A

**Catalog Numbers**  
HEX-AA, HEX-AB, HEX-AC, HEX-AD, HEX-AE, HEX-AW, HEX-AW-DRLC-A, HEX-AW-DRYC, HEX-AW-RLC-A, HEX-AW-RYC, HEX-AY, HEX-BB, HEX-CC, HEX-JJ, HEX-JK, HEX-JW-DRYC, HEX-KK

Data Sheet: 2126

## For HEB Holders Only

Directions: To select complete holder P/N, work from left to right starting with loadside terminal options and then lineside terminal options. Then determine breakaway or non-breakaway style.

Loadside Terminal					Lineside Terminal					Available P/N's	
Terminal Type	Wire Size	No. of Wires per Terminal	Sold Wire	Stranded Wire	Terminal Type	Wire Size	No. of Wires per Terminal	Sold Wire	Stranded Wire	Non-Breakaway P/N (Boots not included)	Breakaway P/N (Boots included)
Copper Crimp	#12 to #8	1	Y	Y	Copper Crimp	#12 to #8	1	Y	Y	HEB-AA <sup>(1)(2)</sup> <sub>(3)</sub>	HEB-AW-RLC-A <sup>(1)(2)</sup> <sub>(3)</sub>
Copper Crimp	#12	2	Y	Y	Copper Crimp	#6	1	Y	Y	HEB-AB <sup>(2)</sup>	HEB-AW-RLC-B
Copper Crimp	#12 to #8	1	Y	Y	Copper Crimp	#10	2	Y	Y	HEB-AC <sup>(2)</sup>	HEB-AW-RLC-C <sup>(4)</sup>
Copper Crimp	#12	2	Y	Y	Copper Crimp	#4	1	N	Y	HEB-AD <sup>(2)</sup>	N/A
Copper Crimp	#12 to #8	1	Y	Y	Copper Crimp	#8	2	Y	Y	HEB-AE <sup>(2)</sup>	N/A
Copper Crimp	#12	2	Y	Y	Copper Crimp	#2	1	N	Y	HEB-AJ	HEB-AW-RLC-J
Copper Crimp	#12 to #8	1	Y	Y	Copper Crimp	#6	2	Y	Y	HEB-AK	HEB-AW-RYC
Copper Crimp	#12	2	Y	Y	Copper Crimp	2/0	1	N	Y	HEB-AL	HEB-AW-RLA
Copper Crimp	#12	2	Y	Y	Copper Crimp	#3	2	N	Y	HEB-AY	HEB-AW-RYA
Copper Crimp	#12 to #8	1	Y	Y	Copper Crimp	#12 to #3	1	Y	Y	HEB-AR	N/A
Copper Crimp	#12	2	Y	Y	Copper Crimp	#12 to #3	2	Y	Y	HEB-BA <sup>(2)</sup>	HEB-BW-RLC-A
Copper Crimp	#12 to #8	1	Y	Y	Copper Crimp	#6	1	Y	Y	HEB-BB <sup>(2)</sup>	HEB-BW-RLC-B
Copper Crimp	#12	2	Y	Y	Copper Crimp	#10	2	Y	Y	HEB-BC <sup>(2)</sup>	N/A
Copper Crimp	#12 to #8	1	Y	Y	Copper Crimp	#4	1	N	Y	HEB-BD <sup>(2)</sup>	N/A
Copper Crimp	#12	2	Y	Y	Copper Crimp	#8	2	Y	Y	HEB-CC <sup>(2)</sup>	N/A
Copper Crimp	#12 to #8	1	Y	Y	Copper Crimp	#2	1	N	Y	HEB-DD <sup>(2)</sup>	N/A
Copper Crimp	#12	2	Y	Y	Copper Crimp	#6	2	Y	Y	HEB-ZA	N/A
Copper Crimp	#6	1	Y	Y	Copper Crimp	#12 to #8	1	Y	Y	HEB-JJ	HEB-JW-RLC-J
Copper Crimp	#10	2	Y	Y	Copper Crimp	#12	2	Y	Y	HEB-JK	HEB-JW-RYC
Copper Crimp	#6	1	Y	Y	Copper Crimp	#6	1	Y	Y	HEB-JL	N/A
Copper Crimp	#10	2	Y	Y	Copper Crimp	#10	2	Y	Y	HEB-JY	N/A
Copper Crimp	#6	1	Y	Y	Copper Crimp	#4	1	N	Y	HEB-LL	HEB-LW-RLA
Copper Crimp	#10	2	Y	Y	Copper Crimp	#8	2	Y	Y	HEB-NN	N/A
Copper Crimp	#6	1	Y	Y	Copper Crimp	#2	1	N	Y	HEB-PP <sup>(2)</sup>	N/A
Copper Crimp	#10	2	Y	Y	Copper Crimp	#6	1	N	Y	HEB-QQ <sup>(2)</sup>	N/A
Copper Crimp	#4	1	N	Y	Copper Crimp	#4	1	Y	N	HEB-RR <sup>(2)</sup>	N/A
Copper Crimp	#8	2	Y	Y	Copper Crimp	#6	2	Y	Y	HEB-TT <sup>(2)</sup>	N/A
Copper Crimp	#2	1	N	Y	Copper Crimp	#8	1	N	Y	HEB-SS	N/A
Copper Crimp	#6	2	Y	Y	Copper Crimp	#2	1	Y	N		
Copper Crimp	#20, #18	1	Y	Y	Copper Crimp	#3, #4	1	N	Y		
Copper Crimp	#12 to #3	1	Y	Y	Copper Crimp	#2	1	Y	N		
Copper Crimp	#12 to #3	1	Y	Y	Copper Crimp	#1, #2	1	N	Y		
Copper Crimp	#12 to #3	1	Y	Y	Copper Crimp	#12 to #2	1	Y	Y		
Copper Crimp	#12 to #3	1	Y	Y	Copper Crimp	#12 to #2	2	Y	Y		
Copper Crimp	#12 to #2	1	Y	Y	Copper Crimp	#12 to #2	1	Y	Y		
Copper Crimp	#8	1	N	Y	Copper Crimp	#8	1	N	Y		
Copper Crimp	#6	1	Y	N	Copper Crimp	#6	1	Y	N		
Copper Crimp	#6	1	N	Y	Copper Crimp	#6	1	N	Y		
Copper Crimp	#4	1	Y	N	Copper Crimp	#4	1	Y	N		
Copper Crimp	#3, #4	1	N	Y	Copper Crimp	#3, #4	1	N	Y		
Copper Crimp	#2	1	Y	N	Copper Crimp	#2	1	Y	N		
Copper Crimp	#1, #2	1	N	Y	Copper Crimp	#1, #2	1	N	Y		
Copper Crimp	1/0	1	N	Y	Copper Crimp	1/0	1	N	Y		
Solid Terminal for aluminum connector	#8 to #12	1	Y	N	Solid Terminal for aluminum connector	#8 to #12	1	Y	N		
Solid Terminal for aluminum connector	#10 to #14	1	N	Y	Solid Terminal for aluminum connector	#10 to #14	1	N	Y		

(1) UL Recognized, Guide IZLT2, File E14853

(2) CSA Certified, Class 6225-01, File 47235

(3) CE

(4) HEB-AW-RLC-C is for (1) #4 stranded wire only.

Insulating boots for single conductor-2A0660

Dual conductor-2A0661

Contact your local Cooper Bussmann representative for other possible terminations not listed.



## Panel Mounted Fuse Holders for 5 x 20mm Fuses

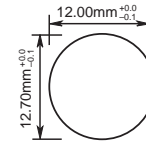
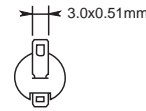
### HTC-35M

**Ratings:**

Volts: — 250Vac

Amps: — 10A UL, 6.3A VDE

**Fuse Access:** Threaded cap



**Data Sheet:** 2110

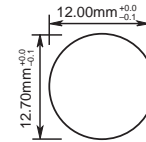
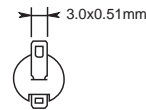
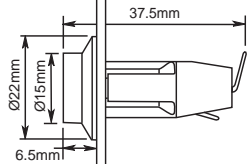
### HTC-40M

**Ratings:**

Volts: — 250Vac

Amps: — 10A UL, 6.3A VDE

**Fuse Access:** Screwdriver slot



**Data Sheet:** 2110

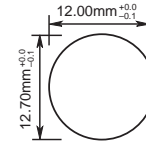
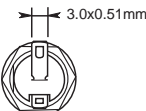
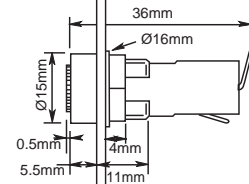
### HTC-55M

**Ratings:**

Volts: — 250Vac

Amps: — 10A UL, 6.3A VDE

**Fuse Carrier:** Bayonet type



**Data Sheet:** 2110

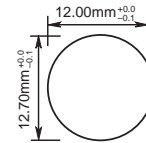
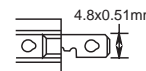
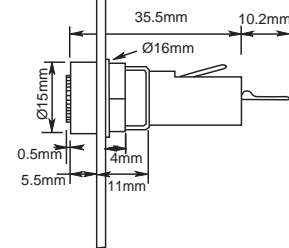
### HTC-70M

**Ratings:**

Volts: — 250Vac

Amps: — 10A UL, 6.3A VDE

**Fuse Carrier:** Bayonet type



**Data Sheet:** 2110

Fuse Holders & Blocks

**Specifications**

**Terminals:** Tin-plated brass.

**Molded Materials:** High temperature thermoplastic that meets the flammability ratings of UL 94V0; Glow Wire Test: 960°C per IEC 60695-2-1.

**Solderability:** In accordance with IEC 68-2-20.

**Agency Information:** cURus, VDE

**Electrical:** Contact Resistance: ≤ 10 megohm; Insulation Resistance: ≥ 10MΩ; Dielectric Strength ≥ 2000Vac.

**Shock Safety:** PC2 (fuse holders).

**Packaging:** Standard Qty 10 (No Prefix), Bulk Qty 100 (Prefix Catalog Number with BK/).

## Panel Mounted Fuse Holders for 1/4" x 1 1/4" Fuses

### HKP, HKP-L, HKP-W



#### Specifications

**Description:** Standard fuse holders.

**Dimensions:** See Dimensions illustration.

#### Ratings:

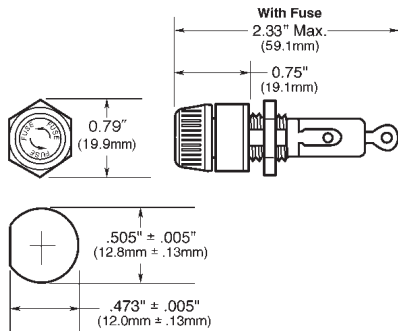
Volts: — 250V

Amps: — 30A

#### Catalog Numbers

Catalog Numbers	Fuse Description
HKP	—
HKP-L	HKP w/ 2250V stand-off barrier
HKP-W	HKP w/ drip-proof knob

#### Dimensions - in (mm)



Data Sheet: 2106

### HKP-BBHH, HKP-HH and HKP-LW-HH



#### Specifications

**Description:** Fuse holders with 1/4" quick-connects.

**Dimensions:** See Dimensions illustration.

#### Ratings:

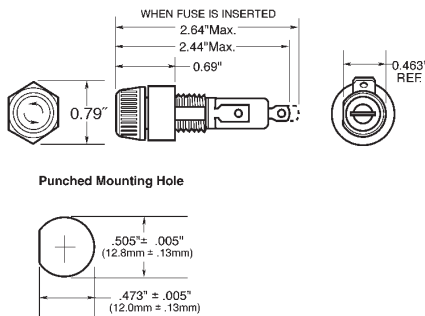
Volts: — 250V

Amps: — 15A

#### Catalog Numbers

Catalog Numbers	Fuse Description
HKP-BBHH	HKP w/ 1/4" quick-connects, nut and washer assembled.
HKP-HH	HKP w/ 1/4" quick-connect.
HKP-LW-HH	HKP w/ drip-proof knob, 2250V stand-off barrier and 1/4" quick-connects.

#### Dimensions - in (mm)



Data Sheet: 2106

### HKP-OO



#### Specifications

**Description:** Snap-lock fuse holders.

**Dimensions:** See Dimensions illustration.

#### Ratings:

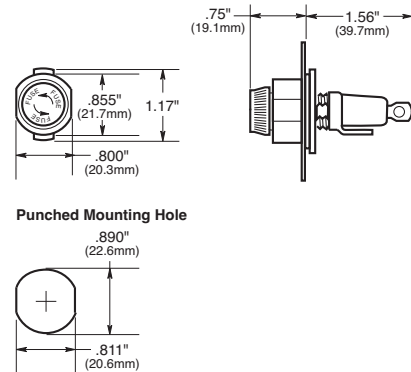
Volts: — 250V

Amps: — 30A

#### Catalog Numbers

Catalog Number	Fuse Description
HKP-OO	HKP with snap-lock

#### Dimensions - in (mm)



Data Sheet: 2106

### Specifications

**Terminals:** Bayonet-type knob.  
Vibration resistant.  
For panels up to 5/16" (7.9mm) thick.

**Agency Information:** CE (HKP, HKP-L, HKP-W, HKP-OO), UL Recognized — Guide IZLT2, File E14853, CSA Certified — Class 6225-01, File 47235

**Replacement Parts:** Cap: 9435-1/2  
Plastic Nut: BK/1A4287 (100 pieces minimum)  
Metal Nut: BK/1A4806-2 (100 pieces minimum)  
Washer: 9732

## Panel Mounted Fuse Holders for 5 x 20mm and 1/4" x 1 1/4" Fuses

### HTB Series

#### Specifications

**Description:** Fuse holders with knob-type carriers.

**Dimensions:** See Dimensions illustrations.

**Construction:** High temperature, flame retardant thermoplastic; UL Component Recognized; UL 94V0; mounting nut, spacer-black polycarbonate. Terminals: tin-plated brass.

**Electrical Data:** Insulation resistance (per IEC #257) — 10,000 ohms @ 500Vdc; contact resistance (per IEC #257) — 0.005 ohms Max @ 1A; standoff voltage (per IEC #257) — 480V/Mil @ 0.125" thickness.

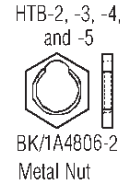
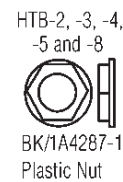
**Agency Information:** CE, UL Recognized — Guide IZLT2, File E14853, 1/4" dia fuse @ 20A, 5mm dia fuse @ 16A @ 250V, CSA — 16A @ 250V Class 6225-01 File 47235; VDE Certified: 136128, HTB-XXM, SEMKO Certification: Ref. #0146149/01, HTB-XXM.

**Mounting:** Withstands 15 to 20 Lb-In torque to mounting nut when mounting fuse holder to panel.

**Environmental:** Maximum operating temperature -55°C to 85°C.



#### Replacement Parts



#### Dimensional Data - in (mm)

Knob Type Carrier	Maximum Panel Thickness	Terminal Options				Carrier Options	
		Solder/ 3/16" Quick-Connect		1/4" Quick-Connect		1/4" x 1 1/4" ("I" Equals Inches)	5 x 20mm ("M" Equals Metric)
		In-Line	Rt. Angle	In-Line	Rt. Angle	Knob	Knob
Common Dimensions: Length (Knob Type) - 1.69" (42.9mm) Plus In-Line Terminal NOTE: Plus In-Line Terminal 	0.30"	HTB-22I-R	HTB-24I-R	HTB-26I-R	HTB-28I-R	X	
	7.62mm	HTB-22M-R	HTB-24M-R	HTB-26M-R	HTB-28M-R		X
	0.125"	HTB-42I-R	HTB-44I-R	HTB-46I-R	HTB-48I-R	X	
	3.18mm	HTB-42M-R	HTB-44M-R	HTB-46M-R	HTB-48M-R		X
	0.30"	HTB-62I-R	HTB-64I-R	HTB-66I-R	HTB-68I-R	X	
	7.62mm	HTB-62M-R	HTB-64M-R	HTB-66M-R	HTB-68M-R		X
	0.125"	HTB-82I-R	HTB-84I-R	HTB-86I-R	HTB-88I-R	X	
	3.18mm	HTB-82M-R	HTB-84M-R	HTB-86M-R	HTB-88M-R		X

Fuse holders and fuse carriers may be ordered separately.

Data Sheet: 2119

## Panel Mounted Fuse Holders for 5 x 20mm and 1/4" x 1 1/4" Fuses

### HTB Series



#### Dimensional Data - in (mm)

Screwdriver Type Carrier	Maximum Panel Thickness	Terminal Options				Carrier Options	
		Solder/ 3/16" Quick-Connect		1/4" Quick-Connect		1/4" x 1 1/4" ("I" Equals Inches)	5 x 20mm ("M" Equals Metric)
		In-Line	Rt. Angle	In-Line	Rt. Angle	Screwdriver	Screwdriver
Common Dimensions: (Screwdriver Slotted) 1.75" (44.5mm) NOTE: Plus In-Line Terminal							
	0.30"	HTB-32I-R	HTB-34I-R	HTB-36I-R	HTB-38I-R	X	
	7.62mm	HTB-32M-R	HTB-34M-R	HTB-36M-R	HTB-38M-R		X
	0.125"	HTB-52I-R	HTB-54I-R	HTB-56I-R	HTB-58I-R	X	
	3.18mm	HTB-52M-R	HTB-54M-R	HTB-56M-R	HTB-58M-R		X
	0.125"	HTB-92I-R	HTB-94I-R	HTB-96I-R	HTB-98I-R	X	
	3.18mm	HTB-92M-R	HTB-94M-R	HTB-96M-R	HTB-98M-R		X

#### Catalog Number Build-A-Code

<b>Packing</b> Blank (Std.) – 10 fuse holders in a carton BK – 100 fuse holders in a cardboard shelf package	<b>Product Symbol</b> HTB-	<b>Fuse Carrier</b> I – 1/4" x 1 1/4" M – 5 x 20mm	<b>S P</b> Splash Proof Cap with O-Ring (Optional on Knob Holders Only)	<b>Packaging (Blank)</b> – Std. BK/ – Bulk
<b>Body Configuration and Mounting Knob Holders</b> 2 – Low Profile (Rear Panel Hex-Nut) 4 – High Profile 6 – (Front Panel Hex-Nut) 8 – Low Profile (Snap-In) <b>Screwdriver Slotted Holders</b> 3 – Low Profile 5 – High Profile 9 – Low Profile (Snap-In)	<b>Rear Terminal Configuration</b> 2 – Solder / 3/16" Quick-Connect (In-Line) 4 – Solder / 3/16" Quick-Connect (Right Angle) 6 – 1/4" Quick-Connect (In-Line) 8 – 1/4" Quick-Connect (Right Angle)	<b>-R</b> RoHS Compliant	<b>Product Symbol</b> FT – Knob Type (For 20, 40, 60, and 80 Series Only) ST – Screwdriver Slotted (For 30, 50, and 90 Series Only)	<b>Fuse Carrier</b> I – 1/4" x 1 1/4" M – 5 x 20mm

\*Profile varies with panel thickness. Holder installs through rear of panel.

## Panel Mounted Fuse Holders for Indicating Type Fuses

### HLD



#### Specifications

**Description:** Pin indicating for ¼" x 1¼" fuses.

**Dimensions:** See Dimensions illustration.

#### Ratings:

Volts: — 250V

Amps: — 15A

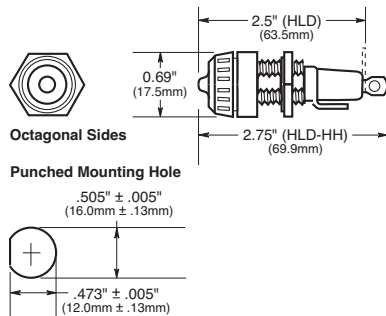
**Agency Information:** CE, UL Recognized, File E14853, Guide IZLT2.

#### Catalog Numbers

Catalog Numbers*	Terminals
HLD	Solder terminals
HLD-HH	¼" quick-connect terminals

\*Use w/GBA, GLD Fuses.

#### Dimensions - in (mm)



### HJL



#### Specifications

**Description:** Neon lamp indicating for ¼" x 1" fuses.

**Dimensions:** See Dimensions illustration.

#### Ratings:

Volts: — 250V

Amps: — 15A

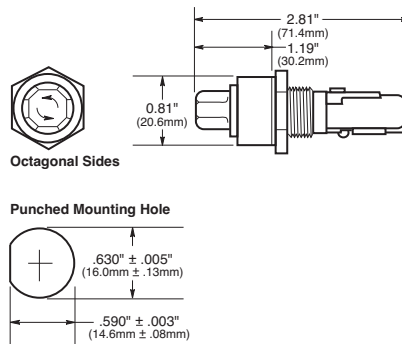
**Agency Information:** None

#### Catalog Number

Catalog Number*	Volts	Lamp Color	Knob Type
HJL	90 to 250	Clear	Oct

\*Use with AGX or MKB fuses, for panels up to ¼" thick.

#### Dimensions - in (mm)



### HK Series



#### Specifications

**Description:** Neon and incandescent lamp indicating for ¼" x 1¼" fuses

**Dimensions:** See Dimensions illustration.

#### Ratings:

Volts: — 250V

Amps: — 15A (HKL, HKL-X)

— 20A (HKR, HKT, HKU, HKX)

**Agency Information:** CE, UL

Recognized, (Guide IZLT2, File E14853), CSA Certified

(Class 6225-01, File 47235).

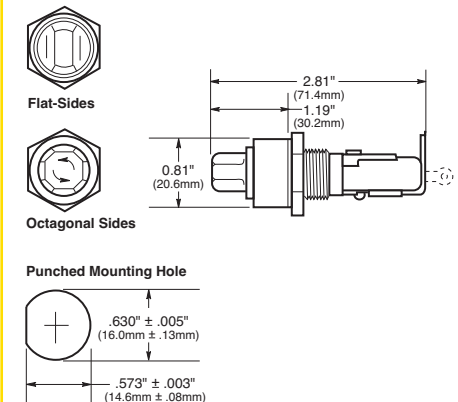
#### Catalog Numbers

Catalog Numbers	Lamp Volts	Knob Color/Type
HKL*	90-250	Clear/Oct
HKL-X*	90-250	Clear/FS
HKR**	22-30	Amber/Oct
HKT**	13-22	Amber/Oct
HKU**	4-6	Red/Oct
HKX**	22-33	Amber/FS

\* Neon lamp — UL Recognized and CSA Certified.

\*\* Incandescent lamp.

#### Dimensions - in (mm)



## Panel Mounted Fuse Holders for 1 3/32" x 1 5/16" to 1 1/2" Fuses

### HPF



#10 wire max for solder connection

#### Specifications

**Description:** Standard fuse holders with **screw-type knob** for 1 3/32" x 1 5/16" to 1 1/2" Fuses.

**Dimensions:** See Dimensions illustration.

**Agency Information:** CE, UL Recognized, Guide IZLT2, File E14853; CSA Certified, Class 6225-01, File 47235.

**Flammability Rating:** UL 94HB.

**Terminals:** Combination 1/4" quick-connect/solder terminals.

#### Catalog Numbers

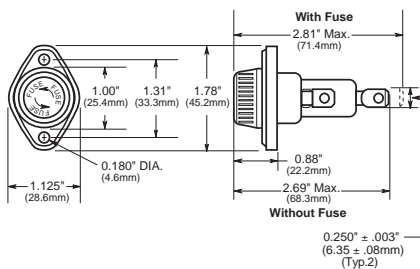
Catalog Numbers	Amp Ratings	Volts	Fuse Description
HPF	30 <sup>2</sup>	600	1 1/2" (38.1mm)
HPF-C	30 <sup>2</sup>	600 <sup>3</sup>	1 1/2" (38.1mm) clear knob.
HPF-L	5	600	BBS, 1 3/32" x 1 5/16" fuses.
HPF-EE	15	600	SC 0-15, 1 3/32" x 1 5/16" fuses.
HPF-JJ	20	600	SC 20, 1 3/32" x 1 5/16" fuses.
HPF-FF <sup>1</sup>	30 <sup>2</sup>	480	SC 25 & 30, 1 3/32" x 1 5/16" fuses.
HPF-RR	30 <sup>2</sup>	600	KTK-R, LP-CC & FNQ-R Class CC fuses.
HPF-WT	30 <sup>2</sup>	600	Splash-proof knob. 1 3/32" x 1 5/16" (38.1mm)

<sup>1</sup> No CSA Certification

<sup>2</sup> 20A max when used with quick-connect terminals.

<sup>3</sup> HPF-C ratings for CSA-15A, 250V

#### Dimensions - in (mm)



Data Sheet: 2114

### HPS



#### Specifications

**Description:** Standard fuse holders with **bayonet-type knob** for 1 3/32" x 1 5/16" to 1 1/2" fuses.

**Dimensions:** See Dimensions illustration.

**Agency Information:** CE, UL Recognized, Guide IZLT2, File E14853; CSA Certified, Class 6225-01, File 47235.

**Flammability Rating:** UL 94HB.

**Terminals:** Combination 1/4" quick-connect/solder terminals.

#### Catalog Numbers

Catalog Symbol	Amp Ratings	Volts	Fuse Description
HPS	30 <sup>2,3</sup>	600	1 1/2" x 1 1/2"
HPS-L	5	600	BBS, 1 3/32" x 1 5/16" fuses.
HPS-EE <sup>*</sup>	15	600	SC 0-15, 1 3/32" x 1 5/16" fuses.
HPS-JJ <sup>*</sup>	20	600	SC 20, 1 3/32" x 1 5/16" fuses.
HPS-F-EE <sup>†</sup>	15	600	Sleeve on body, leaded for 1 3/32" x 1 5/16" fuses.
HPS-FF <sup>††</sup>	30 <sup>2</sup>	480	SC 25 & 30, 1 3/32" x 1 5/16" fuses.
HPS-RR <sup>†††</sup>	30 <sup>2</sup>	600	KTK-R, LP-CC, FNQ-R Class CC fuses.

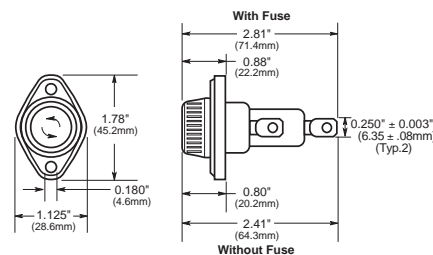
<sup>\*</sup>-EE, -JJ, -FF and -RR versions are UL Recognized for applications requiring branch circuit protection.

<sup>†</sup> No CSA Certification

<sup>††</sup> 20A max when used with quick-connect terminals.

<sup>†††</sup> HPS rated at 250V for CSA

#### Dimensions - in (mm)



Data Sheet: 2113

### HPG



### HPD



#### Specifications

**Description:** Standard fuse holders with **bayonet-type knob** for 1 3/32" x 1 1/2" fuses.

**Dimensions:** See Dimensions illustrations.

**Agency Information:** CE, UL Recognized, (Guide IZLT2, File E14853).

**Flammability Rating:** UL 94V0 - fuse holder body UL 94HB - Knob.

#### Catalog Numbers

Catalog Numbers	Amp Ratings	Volts	Fuse Description
HPG <sup>*</sup>	30 <sup>1</sup>	600	1 3/32" x 1 1/2" fuses
HPG-EE <sup>*</sup>	15	600	SC 0-15, 1 3/32" x 1 5/16" fuses.
HPD <sup>**</sup>	30 <sup>1</sup>	600	1 3/32" x 1 1/2" fuses

<sup>1</sup> 20A max when used with quick-connect terminals.

<sup>\*</sup>HPG and HPG-EE has combination 1/4" quick-connect/solder terminals on both side (load) and rear (line) terminals.

<sup>\*\*</sup>HPD has combination 1/4" quick-connect/solder terminal on side (load) terminal only. Rear (line) terminal is 3/8" shorter than HPG. Rear terminal solder only.

#### Dimensions - in (mm)



Data Sheet: 2108



## Fuse Blocks for 1/4" x 1 1/4" Fuses

### Series 8000



#### Specifications

**Description:** Bolt-in and snap-in mounting for 1/4" x 1 1/4" fuses.

**Construction:** Blocks are molded flame retarded thermoplastic. Clips are spring-bronze.

#### Ratings:

Volts: — 300V  
Amps: — 25A (See Catalog Numbers table)

**Agency Information:** CE, UL Recognized ; File E14853, Guide IZLT2, CSA Certified Class 6225-01, File 47235.

**Anti-Rotation Pin:** Single-pole blocks may be ordered without the anti-rotational pin simply by adding an "X" to the number of poles (Example: BK/S-8000-1X).

**Carton Quantity:** 10; shelf package: 100.

**Bulk Carton:** Single-pole and 2-pole fuse blocks – 1,000; Multiple-pole fuse blocks – 3- to 8-pole: 200; 9- to 12-pole: 50. When ordering bulk quantities, prefix "BK/" to catalog number: (Example: BK/S-8001-1-SNP).

#### Catalog Numbers

##### Bolt-in Mounting

Basic Catalog Numbers	Series	Terminal	Angle	Agency Maximums	Poles (Suffix)
S-8001-	8000	Solder	0°	UL 25A	1 - 12
S-8002-			40°	CSA 21A	
S-8101-	8100	3/16" Quick Connect	0°	UL 20A	
S-8102-			40°	CSA 13A	
S-8201-	8200	1/4" Quick Connect	0°	UL 20A	
S-8202-			40°	CSA 16A	
S-8203-			Side		
S-8301-	8300	Screw	—	UL 30A CSA 25A	

##### Snap-in Mounting

Catalog Numbers	Series	Terminal	Angle	Agency Maximums	Poles (Suffix)
S-8001-1-SNP	8000	Solder	0°	UL 25A	Available only in single pole
S-8002-1-SNP			40°	CSA 21A	
S-8101-1-SNP	8100	3/16" Quick Connect	0°	UL 20A	
S-8102-1-SNP			40°	CSA 13A	
S-8201-1-SNP	8200	1/4" Quick Connect	0°	UL 20A	
S-8203-1-SNP			Side	CSA 16A	

#### Catalog Number Build-A-Code

Catalog Code
BK/ S-8 0 00 -00
Prefix for Bulk Packing
Series 8000 Product Line
Type Terminal
"0" - Solder
"1" - 3/16" Quick Connect
"2" - 1/4" Quick Connect
"3" - Screw
Terminal Angle
"01" - straight (0°)
"02" - 40°
"03" - side*
Number of Poles (1-12)



Data Sheet: 2101

### Single-Pole Fuse Blocks

#### Specifications

**Description:** Single-pole fuse block for 1/4" x 1 1/4" (6.4 x 31.8mm) size fuses.

**Dimensions:** See Dimensions illustrations.

**Construction:** Bakelite base width 1/2" (12.7mm); spring-bronze, bright tin-lead plate clips.

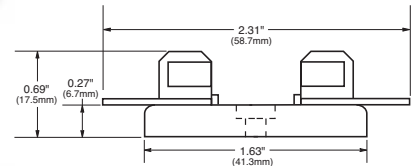
#### Ratings:

Volts: — 250V  
Amps: — 30A



**4405 - 0° Solder terminals with integral terminal and clip**

#### Dimensions - in (mm)

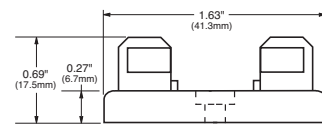


**4406 - Side solder terminal**



**4574 - Spare fuse block**

#### Dimensions - in (mm)

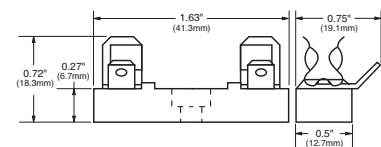


**2499 - Side quick-connect**

**Agency Information:** UL Recognized, Guide IZLT2, File E14853

**Terminals:** 1/4" (6.4mm); 15A, 250V

#### Dimensions - in (mm)



Note: Mounting screw hole diameter is 0.147" (3.7mm). Counterbore diameter, 0.636" (8.0mm). Max Mounting Screw No. 6.



## Fuse Blocks for 1/4" x 1" Fuses

### 3828 Series



#### Specifications

**Description:** Fuse block for 1/4" x 1" (6.4 x 25.4mm) fuses with solder terminals.

**Dimensions:** See Dimensions illustration.

#### Ratings:

Volts: — 250V

Amps: — 30A

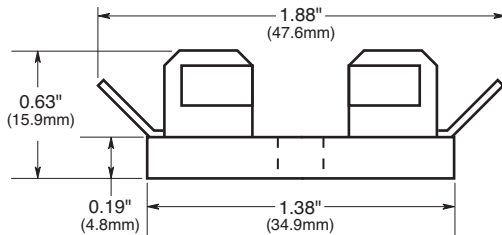
**Mounting:** Mounting screw hole diameter is 0.147" (3.7mm), diameter. Max mounting screw No. 6.

#### Catalog Numbers

Catalog Numbers	Poles	*Base Length - In (mm)
3828-1	1	1/2 (12.7)
3828-2	2	1 1/8 (28.6)
3828-3	3	1 3/4 (44.5)
3828-4	4	2 3/8 (60.3)
3828-5	5	3 (76.2)
3828-6	6	3 5/8 (92.1)
3828-7	7	4 1/4 (108.0)
3828-8	8	4 7/8 (123.8)
3828-10	10	6 1/8 (155.6)
3828-12	12	7 3/8 (187.3)

\*Small phenolic base, base width 1 3/8" (34.9mm)

#### Dimensions - in (mm)



### 4520 and 4393



#### Specifications

**Description:** Single-pole fuse block for 1/4" x 1" fuses.

**Dimensions:** See Dimensions illustrations.

**Construction:** Bakelite with 1/2" (12.7mm) width base. Spring-bronze, bright tin-lead plated clips.

#### Ratings:

Volts: — 250V

Amps: — 30A

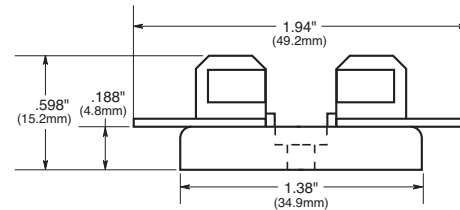
**Mounting:** Mounting screw hole diameter is 0.147" (3.7mm), counterbore 0.636" (8.0mm) diameter. Max mounting screw No. 6.

#### Catalog Numbers

Catalog Numbers	Description
4520	Integral clip and straight solder terminals
4393	Spare fuse block

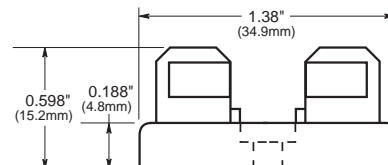
### No. 4520 - Integral clip and straight solder terminals

#### Dimensions - in (mm)



### No. 4393 - Spare fuse block

#### Dimensions - in (mm)



## Blocks for $1\frac{3}{32}$ " X $1\frac{1}{2}$ " Fuses

### 3743



#### Specifications

**Description:** Add-on fuse blocks for  $1\frac{3}{32}$ " X  $1\frac{1}{2}$ " (10.3 X 38.1mm) fuses. Single pole blocks lock into each other and can be added at any time. Each has a single end barrier.

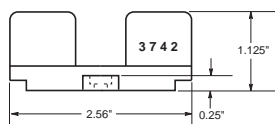
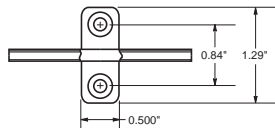
**Dimensions:** See Dimensions illustration.

#### Ratings:

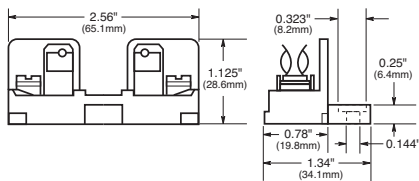
Volts: — 600Vac/dc

Amps: — 30A

**Agency Information:** CE, UL  
Recognized Guide IZLT2, File E14853.



#### 3742—End Barrier Only



**3723—Block and end barrier marking strip.** Length is  $9\frac{3}{8}$ " (23.8cm).

Note: Mounting screw hole is 0.147" (3.7mm) dia. Counterbore, 0.636" (8mm) dia. Max. mounting screw No. 6.

### 3835 Series



#### Specifications

**Description:** Multiple pole fuse blocks for  $1\frac{3}{32}$ " X  $1\frac{1}{2}$ " (10.3 X 38.1mm) fuses.

**Dimensions:** See Dimensions illustration.

#### Ratings:

Volts: — 250Vac/dc

Amps: — 30A

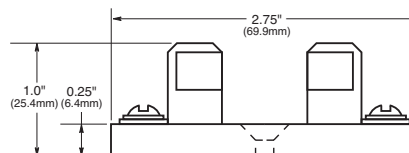
**Agency Information:** CE

#### Catalog Numbers

Catalog Numbers	Poles	Base* Width In (mm)
3835-1	1	$2\frac{1}{32}$ (21.4)
3835-2	2	$1\frac{1}{16}$ (46.0)
3835-3	3	$2\frac{29}{32}$ (70.6)
3835-4	4	$3\frac{3}{8}$ (95.2)
3835-5	5	$4\frac{29}{32}$ (119.9)
3835-6	6	$5\frac{1}{16}$ (144.5)
3835-7	7	$6\frac{21}{32}$ (169.0)
3835-8	8	$7\frac{5}{8}$ (193.7)
3835-9	9	$8\frac{1}{16}$ (218.8)
3835-10	10	$9\frac{9}{16}$ (242.9)
3835-12	12	$11\frac{1}{8}$ (292.1)

\*Base length:  $2\frac{3}{8}$ " (69.9mm)

#### Dimensions



Note: Mounting screw hole diameter is 0.148" (3.7mm). Countersink, 0.313" (7.9mm). Max. mounting screw No. 6.

### 4421 and 4515



#### Specifications

**Description:** Single pole fuse blocks for  $1\frac{3}{32}$ " X  $1\frac{1}{2}$ " (10.3 X 38.1mm) fuses.

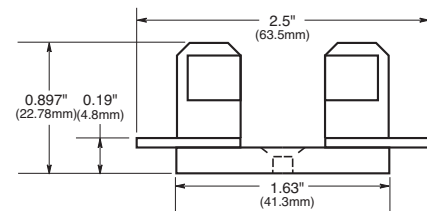
**Dimensions:** See Dimensions illustration.

#### Ratings:

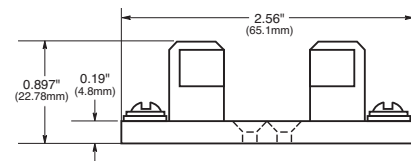
Volts: — 250Vac/dc (or less)

Amps: — 30A

**Agency Information:** CE



**4421—Solder Terminals**  
Base width  $\frac{5}{8}$ " (15.9mm)



**4515—Screw Terminals**  
Base width  $\frac{3}{4}$ " (19mm)

Note: Mounting screw hole diameter is 0.147" (3.7mm). Countersink, 0.312" (7.9mm). Max. mounting screw No. 6.

## Rail Mount Fuse Blocks and Holders

### NDNF1-WH

#### Specifications

**Description:** Fuse holding rail mount terminal block.

**Circuit Jumper:** JF1, 2 circuits

**Fuse Size:** 1<sup>3</sup>/<sub>2</sub>" X 1<sup>1</sup>/<sub>2</sub>"\* (KTK, FNQ).

**Poles:** 1

**Wire Range:** AWG #8-22 Cu.

#### Ratings:

Volts: — 600V

Amps: — 30A

**Mounting Options:** 35mm DIN rail, C-rail

**Fuse Pullers:** • PF1 (standard)  
• neon or incandescent bulb

\*LPF1 (lighted neon or incandescent bulb).

**Torque Rating:** 18 lb-in

**Operating Temperature:** 105°C

**Agency Information:** CSA File 15364

#### Catalog Numbers

##### Catalog

Number	Color
NDNF1-WH	White

**Fuse Pullers (Optional):** PF1

**Lighted neon or incandescent lamp:**

##### Catalog

Numbers	Voltage
LPF1-24	24
LPF1-120	120
LPF1-120-C	120
LPF1-220	220
LPF1-440	440



### NDNLF1-WH

#### Specifications

**Description:** Rail mount fuse holder.

**Circuit Jumper:** JF1, 2 circuits.

**Fuse Size:** 1/4" X 1 1/4" (Cooper Bussmann AGC, MDL or equivalent).

**Poles:** 1

**Wire Range:** AWG #8-22 Cu.

#### Ratings:

Volts: — 600V

Amps: — 30A (NDNDF1 non-fused)

— 15A (NDNDF1, 600V/CSA, fused)

— 15A (NDNLF1\*fused, indicating)

\*WH24 - 24V White, WH-90Vdc-600Vdc, 115Vac-600Vac White

**Agency Information:** CE, UL E62622; CSA LR15364.

**Mounting Options:** 35mm DIN rail, C-rail

**Marking Tape:** MT12-1-2

**Torque Rating:** 18 lb-in

**Operating Temperature:** 105°C

**Agency Information:** CSA File 15364

#### Catalog Numbers

##### Catalog

Number	Color	Indicator
NDNDF1-WH	White	NO
NDNLF1-WH	White	90Vdc-600Vdc 115Vac-600Vac
NDNLF1-WH 24	White	24V





## Power Distribution Blocks

New 1000Vdc Finger-Safe Designs  
with High SCCRs Help Improve Safety,  
Assembly Ratings and Ease Code  
Compliance