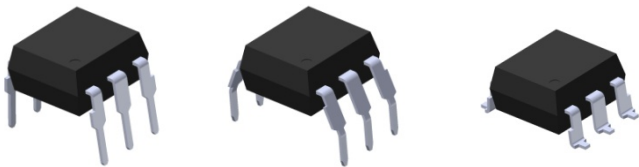


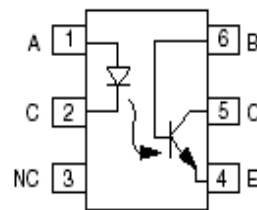
6 PIN DIP PHOTOTRANSISTOR PHOTOCOUPLER CNY17-X Series CNY17F-X Series



Features:

- Current transfer ratios in selected narrow range groups
CNY17-1, CNY17F-1: 40-80%
CNY17-2, CNY17F-2: 63-125%
CNY17-3, CNY17F-3: 100-200%
CNY17-4, CNY17F-4: 160-320%
- High isolation voltage between input and output
(Viso = 5000 Vrms)
- Creepage distance > 7.6 mm
- Operating temperature up to +110°C
- The CNY17F-X series offers no external base connection for minimum noise susceptibility
- Compact dual-in-line package
- Pb free and RoHS compliant.
- UL approved (No. E214129)
- VDE approved (No. 132249)
- SEMKO approved
- NEMKO approved
- DEMKO approved
- FIMKO approved
- CSA approved

Schematic

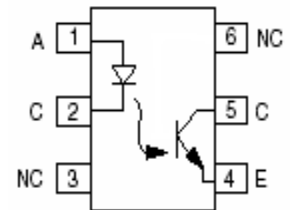


CNY17-X

Pin Configuration

1. Anode
2. Cathode
3. No Connection
4. Emitter
5. Collector
6. Base

Schematic



CNY17F-X

Pin Configuration

1. Anode
2. Cathode
3. No Connection
4. Emitter
5. Collector
6. No Connection

Description

The CNY17-X and CNY17F-X series of devices each consist of an infrared emitting diode optically coupled to a phototransistor. They are packaged in a 6-pin DIP package and available in wide-lead spacing and SMD option.

Applications

- Power supply regulators
- Digital logic inputs
- Microprocessor inputs

Absolute Maximum Ratings (Ta=25°C)

	Parameter	Symbol	Rating	Unit
Input	Forward current	I_F	60	mA
	Peak forward current (t = 10μs)	I_{FM}	1	A
	Reverse voltage	V_R	6	V
	Power dissipation (T _A = 25°C)	P_D	100	mW
	Derating factor (above 100°C)		3.8	mW/°C
Output	Collector-Emitter voltage	V_{CEO}	80	V
	Collector-Base voltage* ¹	V_{CBO}	80	V
	Emitter-Collector voltage	V_{ECO}	7	V
	Emitter-Base voltage	V_{EBO}	7	V
	Power dissipation (T _A = 25°C)	P_C	150	mW
Derating factor (above 100°C)	9.0		mW/°C	
Total Power Dissipation		P_{TOT}	200	mW
Isolation voltage * ²		V_{ISO}	5000	V rms
Operating Temperature		T_{OPR}	-55 to 110	°C
Storage Temperature		T_{STG}	-55 to 125	°C
Soldering temperature * ³		T_{SOL}	260	°C

Notes:

*1 Only for CNY17-X series.

*2 AC for 1 minute, R.H.= 40 ~ 60% R.H. In this test, pins 1, 2 & 3 are shorted together, and pins 4, 5 & 6 are shorted together.

*3 For 10 seconds.

Electro-Optical Characteristics (Ta=25°C unless specified otherwise)

Input

Parameter	Symbol	Min.	Typ.	Max.	Unit	Condition
Forward voltage	V_F	-	-	1.65	V	$I_F = 60\text{mA}$
Reverse current	I_R	-	-	10	μA	$V_R = 6\text{V}$
Input capacitance	C_{in}	-	18	-	pF	$V = 0, f = 1\text{MHz}$

Output

Parameter	Symbol	Min	Typ.	Max.	Unit	Condition
Collector-Base dark current CNY17-X only	I_{CBO}	-	-	20	nA	$V_{CB} = 10\text{V}, I_F = 0\text{mA}$
Collector-Emitter dark current	I_{CBO}	-	-	50	nA	$V_{CE} = 10\text{V}, I_F = 0\text{mA}$
Collector-Emitter breakdown voltage	BV_{CEO}	80	-	-	V	$I_C = 1\text{mA}, I_F = 0\text{mA}$
Collector-Base breakdown voltage CNY17-X only	BV_{CBO}	80	-	-	V	$I_C = 0.1\text{mA}, I_F = 0\text{mA}$
Emitter-Collector breakdown voltage	BV_{ECO}	7	-	-	V	$I_E = 0.1\text{mA}, I_F = 0\text{mA}$
Collector-Emitter capacitance	C_{CE}	-	8	-	pF	$V_{CE} = 0\text{V}, f = 1\text{MHz}$

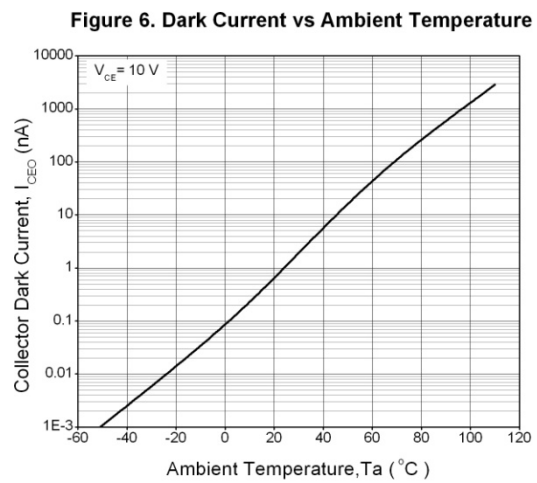
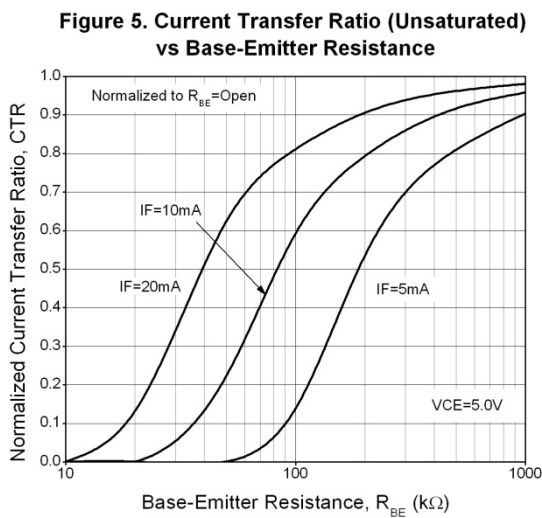
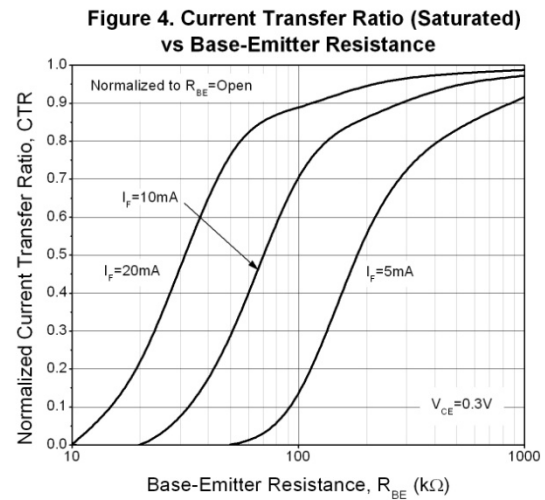
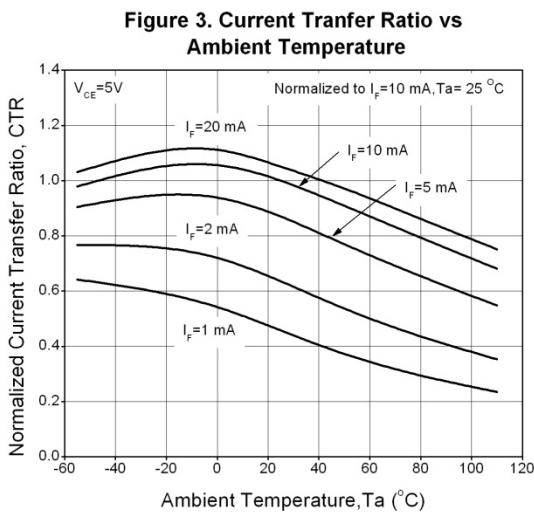
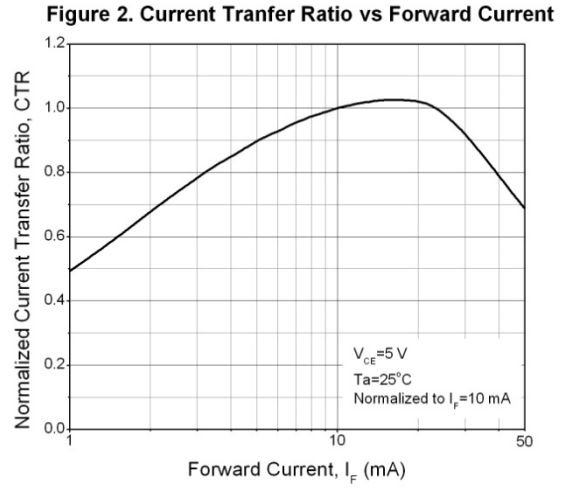
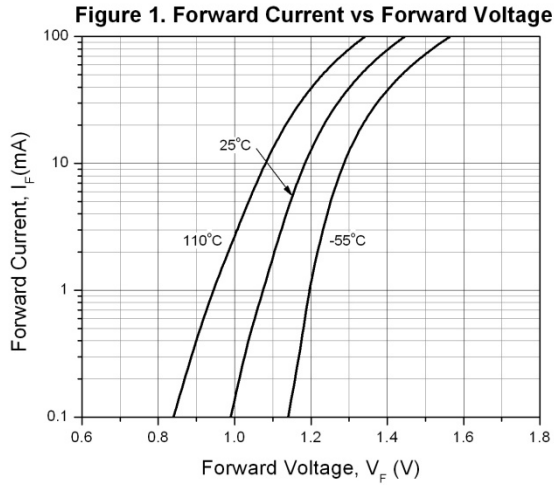
* Typical values at $T_a = 25^\circ\text{C}$

Transfer Characteristics

Parameter	Symbol	Min	Typ.	Max.	Unit	Condition
Current Transfer Ratio	CNY17-1 CNY17F-1	40	-	80	%	$I_F = 10\text{mA}, V_{CE} = 5\text{V}$
	CNY17-2 CNY17F-2	63	-	125		
	CNY17-3 CNY17F-3	100	-	200		
	CNY17-4 CNY17F-4	160	-	320		
Current Transfer Ratio	CNY17-1 CNY17F-1	13	-	-	%	$I_F = 1\text{mA}, V_{CE} = 5\text{V}$
	CNY17-2 CNY17F-2	22	-	-		
	CNY17-3 CNY17F-3	34	-	-		
	CNY17-4 CNY17F-4	56	-	-		
Collector-Emitter saturation voltage	$V_{CE(sat)}$	-	-	0.3	V	$I_F = 10\text{mA}, I_C = 2.5\text{mA}$
Isolation resistance	R_{IO}	10^{11}	-	-	Ω	$V_{IO} = 500\text{Vdc}$
Input-output capacitance	C_{IO}	-	0.5	-	pF	$V_{IO} = 0, f = 1\text{MHz}$
Turn-on time	T_{on}	-	10	12	μs	$V_{CC} = 10\text{V}, I_C = 2\text{mA}, R_L = 100\Omega$ See Fig. 11
Turn-off time	T_{off}	-	9	12		
Rise time	T_r	-	6	10		
Fall time	T_f	-	8	10		
Rise time	T_r	-	2	10		
Fall time	T_f	-	3	10		
						$V_{CC} = 5\text{V}, I_F = 10\text{mA}, R_L = 75\Omega, \text{ See Fig. 11}$

* Typical values at $T_a = 25^\circ\text{C}$

Typical Electro-Optical Characteristics Curves



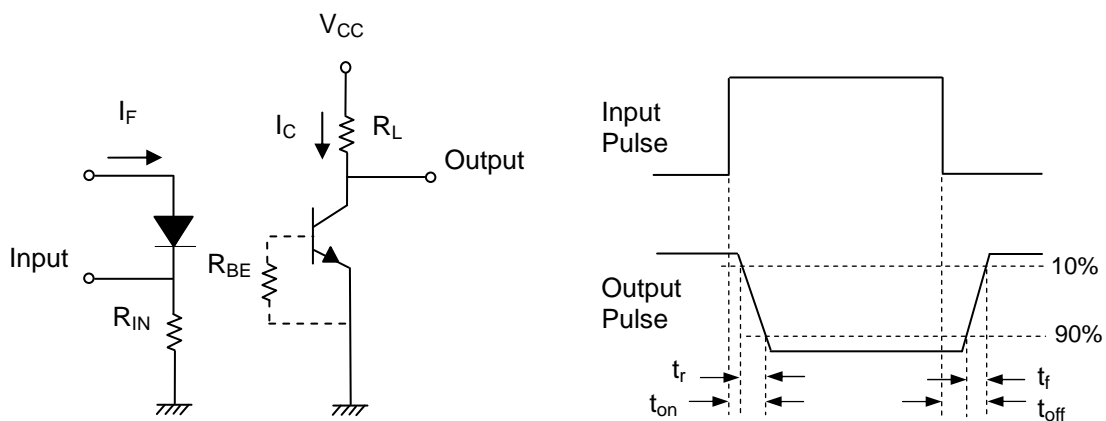
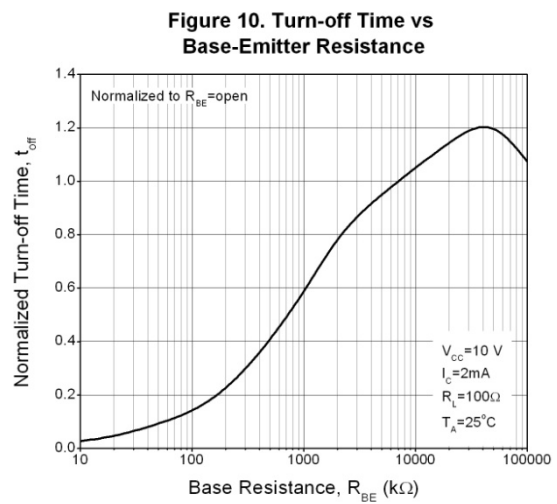
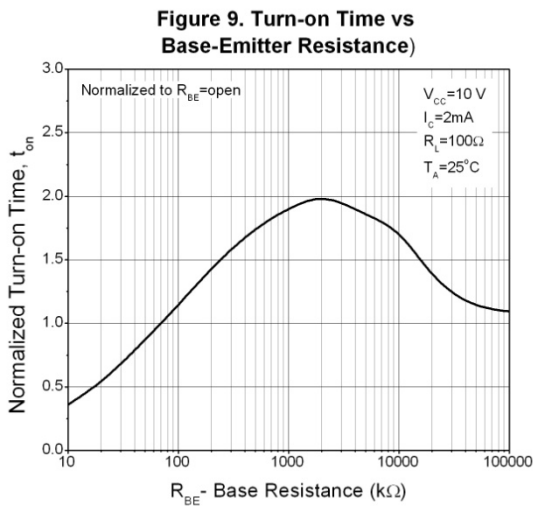
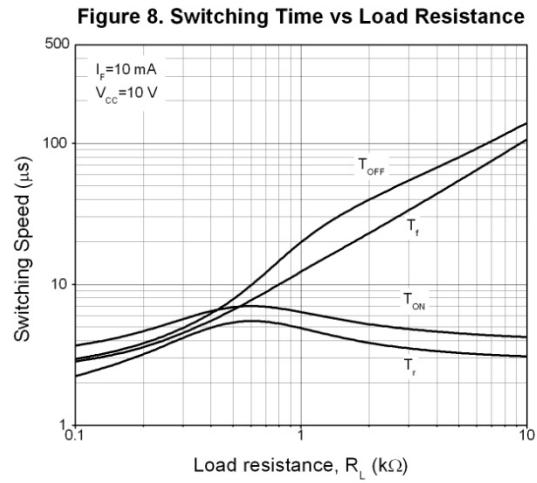
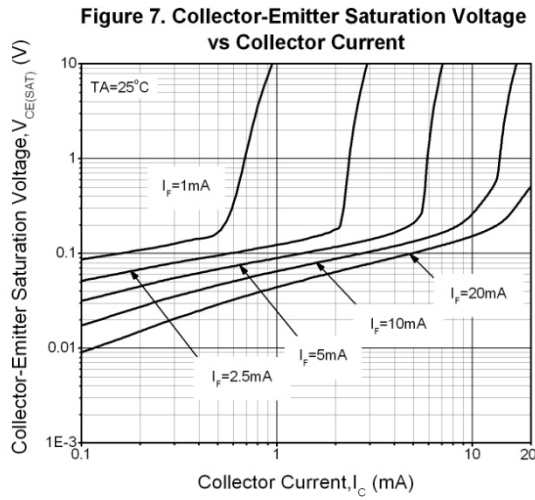


Figure 11. Switching Time Test Circuit & Waveforms

Order Information

Part Number

CNY17-XY(Z)-V

or

CNY17F-XY(Z)-V

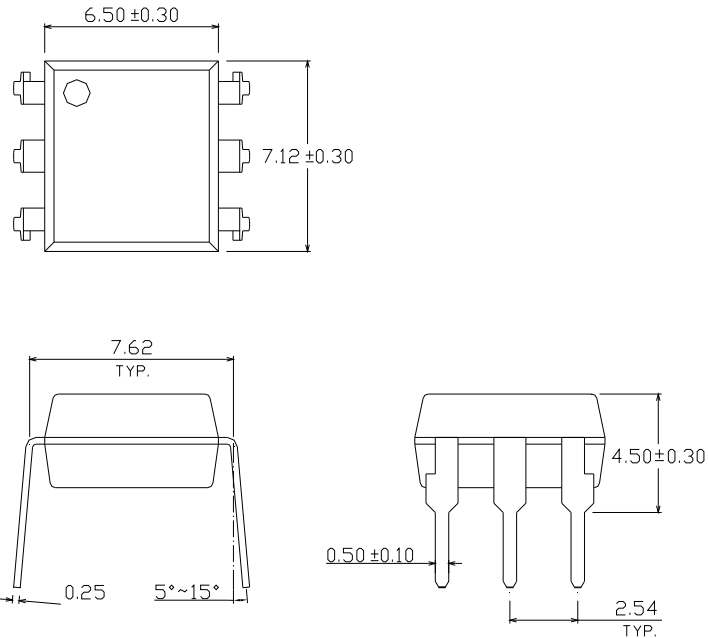
Note

- X = Part no. (1, 2, 3 or 4)
- Y = Lead form option (S, S1, M or none)
- Z = Tape and reel option (TA, TB or none).
- V = VDE (optional)

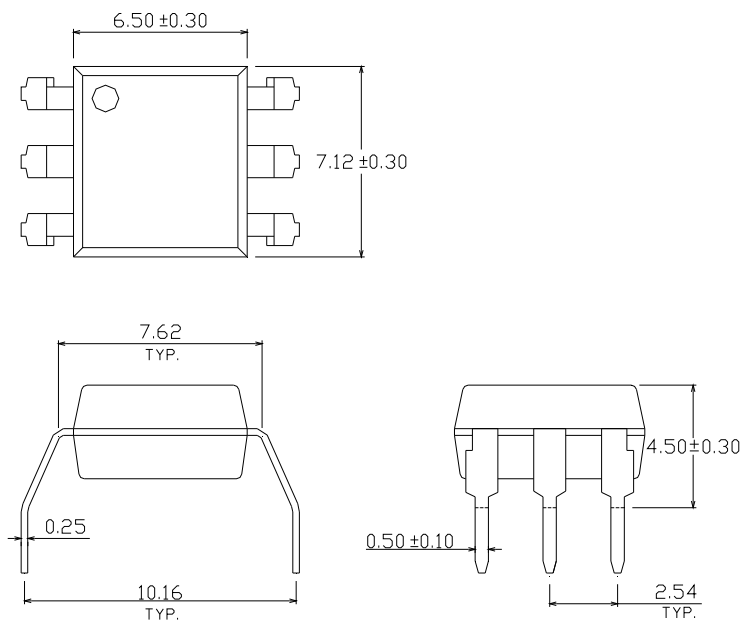
Option	Description	Packing quantity
None	Standard DIP-6	65 units per tube
M	Wide lead bend (0.4 inch spacing)	65 units per tube
S (TA)	Surface mount lead form + TA tape & reel option	1000 units per reel
S (TB)	Surface mount lead form + TB tape & reel option	1000 units per reel
S1 (TA)	Surface mount lead form (low profile) + TA tape & reel option	1000 units per reel
S1 (TB)	Surface mount lead form (low profile) + TB tape & reel option	1000 units per reel

Package Dimension (Dimensions in mm)

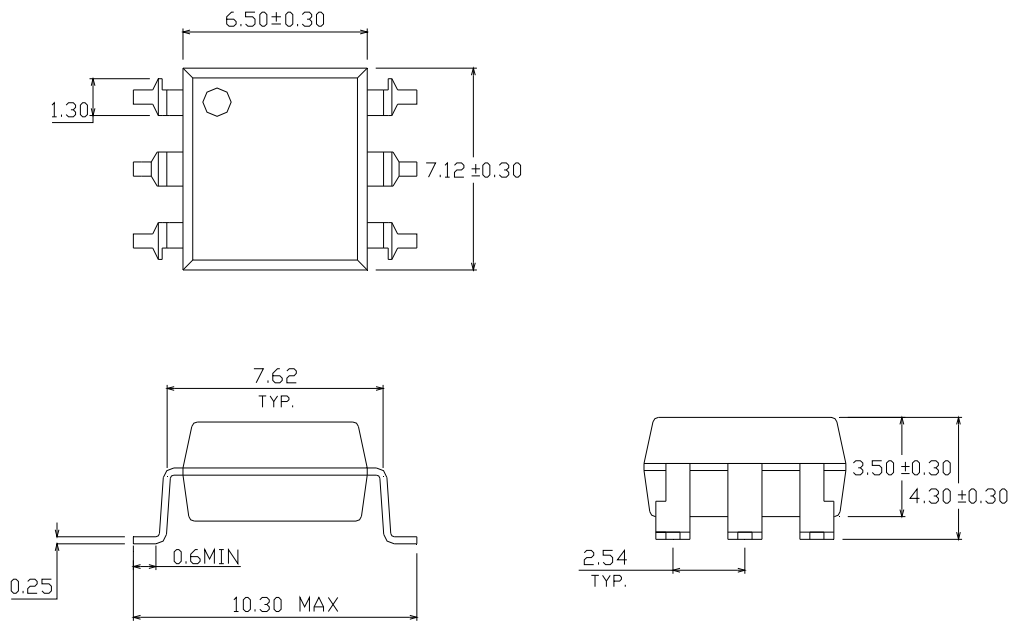
Standard DIP Type



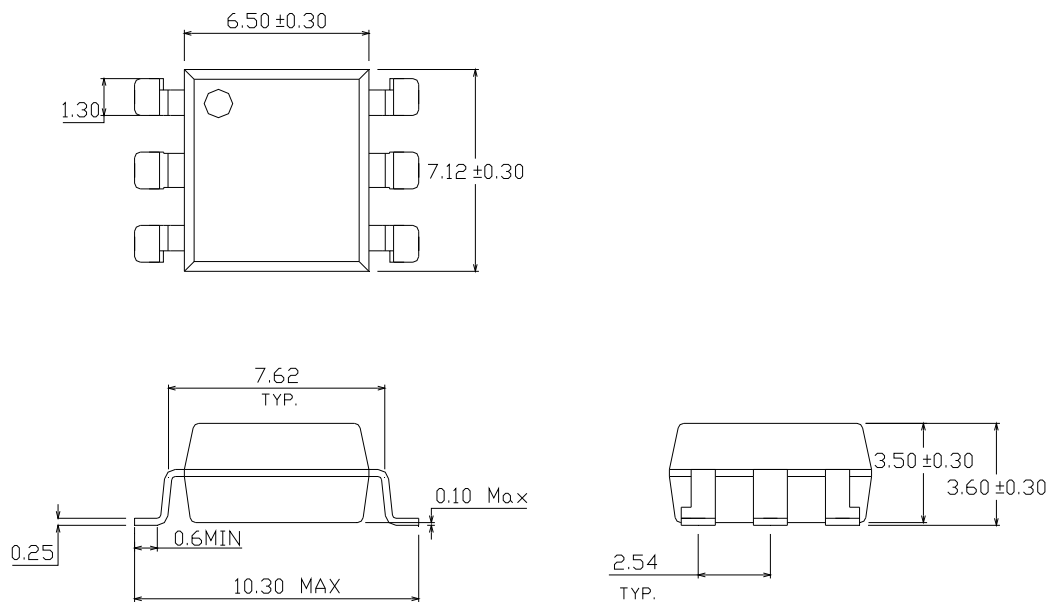
Option M Type



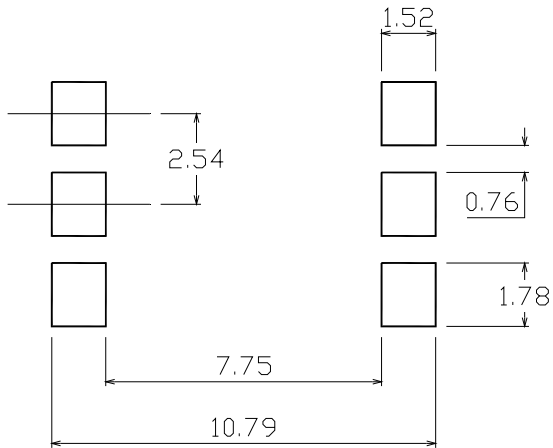
Option S Type



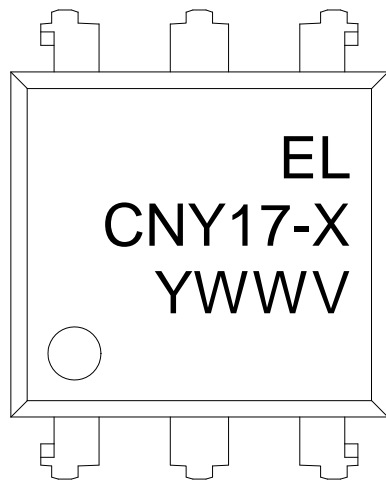
Option S1 Type



Recommended pad layout for surface mount leadform



Device Marking

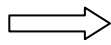
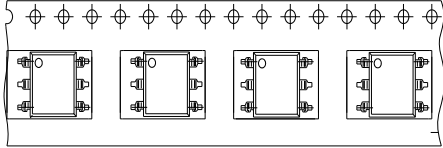


Notes

- EL denotes Everlight
- CNY17-X denotes Device Number (X: 1, 2, 3 or 4)
- Y denotes 1 digit Year code
- WW denotes 2 digit Week code
- V denotes VDE (optional)

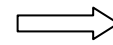
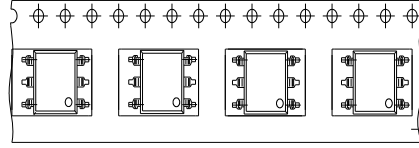
Tape & Reel Packing Specifications

Option TA



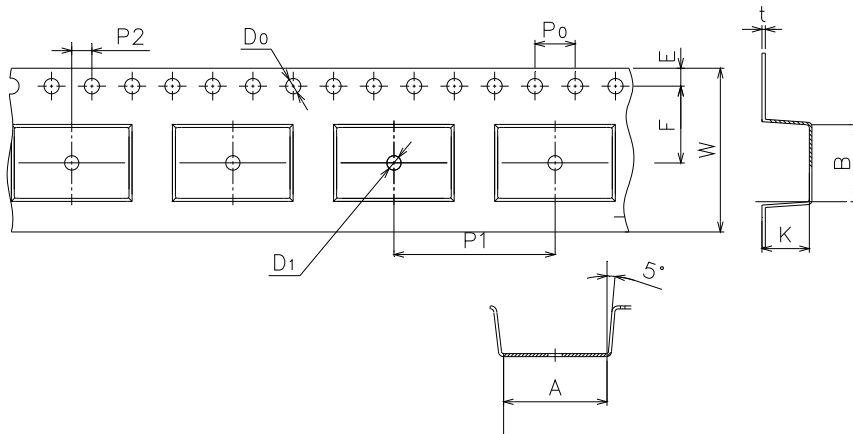
Direction of feed from reel

Option TB



Direction of feed from reel

Tape dimensions

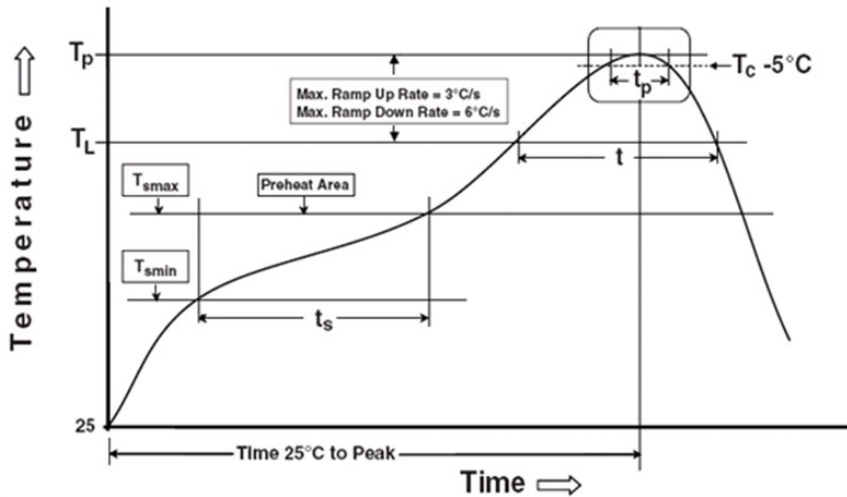


Dimension No.	A	B	Do	D1	E	F
Dimension (mm)	10.4±0.1	7.5±0.1	1.5±0.1	1.5+0.1/-0	1.75±0.1	7.5±0.1
Dimension No.	Po	P1	P2	t	W	K
Dimension (mm)	4.0±0.15	12±0.1	2.0±0.1	0.35±0.03	16.0±0.2	4.5±0.1

Precautions for Use

1. Soldering Condition

1.1 (A) Maximum Body Case Temperature Profile for evaluation of Reflow Profile



Note:

Reference: IPC/JEDEC J-STD-020D

Preheat

Temperature min (T_{smin})	150 °C
Temperature max (T_{smax})	200°C
Time (T_{smin} to T_{smax}) (t_s)	60-120 seconds
Average ramp-up rate (T_{smax} to T_p)	3 °C/second max

Other

Liquidus Temperature (T_L)	217 °C
Time above Liquidus Temperature (t_L)	60-100 sec
Peak Temperature (T_p)	260°C
Time within 5 °C of Actual Peak Temperature: $T_p - 5^\circ\text{C}$	30 s
Ramp- Down Rate from Peak Temperature	6°C /second max.
Time 25°C to peak temperature	8 minutes max.
Reflow times	3 times

DISCLAIMER

1. Above specification may be changed without notice. EVERLIGHT will reserve authority on material change for above specification.
2. When using this product, please observe the absolute maximum ratings and the instructions for using outlined in these specification sheets. EVERLIGHT assumes no responsibility for any damage resulting from use of the product which does not comply with the absolute maximum ratings and the instructions included in these specification sheets.
3. These specification sheets include materials protected under copyright of EVERLIGHT corporation. Please don't reproduce or cause anyone to reproduce them without EVERLIGHT's consent.

Mouser Electronics

Authorized Distributor

Click to View Pricing, Inventory, Delivery & Lifecycle Information:

Everlight:

[CNY17-1M-V](#) [CNY17-1S\(TA\)-V](#) [CNY17-1S\(TB\)](#) [CNY17-1S\(TB\)-V](#) [CNY17-1S1\(TA\)](#) [CNY17-1S1\(TA\)-V](#) [CNY17-1S1\(TB\)](#) [CNY17-1S1\(TB\)-V](#) [CNY17-1-V](#) [CNY17-2M](#) [CNY17-2M-V](#) [CNY17-2S\(TA\)-V](#) [CNY17-2S\(TB\)](#) [CNY17-2S\(TB\)-V](#) [CNY17-2S1\(TA\)](#) [CNY17-2S1\(TA\)-V](#) [CNY17-2S1\(TB\)](#) [CNY17-2S1\(TB\)-V](#) [CNY17-2-V](#) [CNY17-3M](#) [CNY17-3M-V](#) [CNY17-3S\(TA\)-V](#) [CNY17-3S\(TB\)](#) [CNY17-3S\(TB\)-V](#) [CNY17-3S1\(TA\)](#) [CNY17-3S1\(TA\)-V](#) [CNY17-3S1\(TB\)](#) [CNY17-3S1\(TB\)-V](#) [CNY17-3-V](#) [CNY17-4](#) [CNY17-4M](#) [CNY17-4M-V](#) [CNY17-4S\(TA\)](#) [CNY17-4S\(TA\)-V](#) [CNY17-4S\(TB\)](#) [CNY17-4S\(TB\)-V](#) [CNY17-4S1\(TA\)](#) [CNY17-4S1\(TA\)-V](#) [CNY17-4S1\(TB\)](#) [CNY17-4S1\(TB\)-V](#) [CNY17-4-V](#) [CNY17F-1M](#) [CNY17F-1M-V](#) [CNY17F-1S\(TA\)-V](#) [CNY17F-1S\(TB\)](#) [CNY17F-1S\(TB\)-V](#) [CNY17F-1S1\(TA\)](#) [CNY17F-1S1\(TA\)-V](#) [CNY17F-1S1\(TB\)](#) [CNY17F-1S1\(TB\)-V](#) [CNY17F-1-V](#) [CNY17F-2M](#) [CNY17F-2M-V](#) [CNY17F-2S\(TA\)-V](#) [CNY17F-2S\(TB\)](#) [CNY17F-2S\(TB\)-V](#) [CNY17F-2S1\(TA\)](#) [CNY17F-2S1\(TA\)-V](#) [CNY17F-2S1\(TB\)](#) [CNY17F-2S1\(TB\)-V](#) [CNY17F-2-V](#) [CNY17F-3M](#) [CNY17F-3M-V](#) [CNY17F-3S\(TA\)-V](#) [CNY17F-3S\(TB\)](#) [CNY17F-3S\(TB\)-V](#) [CNY17F-3S1\(TA\)](#) [CNY17F-3S1\(TA\)-V](#) [CNY17F-3S1\(TB\)](#) [CNY17F-3S1\(TB\)-V](#) [CNY17F-3-V](#) [CNY17F-4](#) [CNY17F-4M](#) [CNY17F-4M-V](#) [CNY17F-4S\(TA\)](#) [CNY17F-4S\(TA\)-V](#) [CNY17F-4S\(TB\)](#) [CNY17F-4S\(TB\)-V](#) [CNY17F-4S1\(TA\)](#) [CNY17F-4S1\(TA\)-V](#) [CNY17F-4S1\(TB\)](#) [CNY17F-4S1\(TB\)-V](#) [CNY17F-4-V](#) [CNY17-2S\(TA\)](#) [CNY17-3](#) [CNY17F-3](#) [CNY17F-2](#) [CNY17F-3S\(TA\)](#) [CNY17-1S\(TA\)](#) [CNY17F-1S\(TA\)](#) [CNY17F-2S\(TA\)](#) [CNY17-3S\(TA\)](#) [CNY17-1](#) [CNY17F-1](#) [CNY17-2](#)