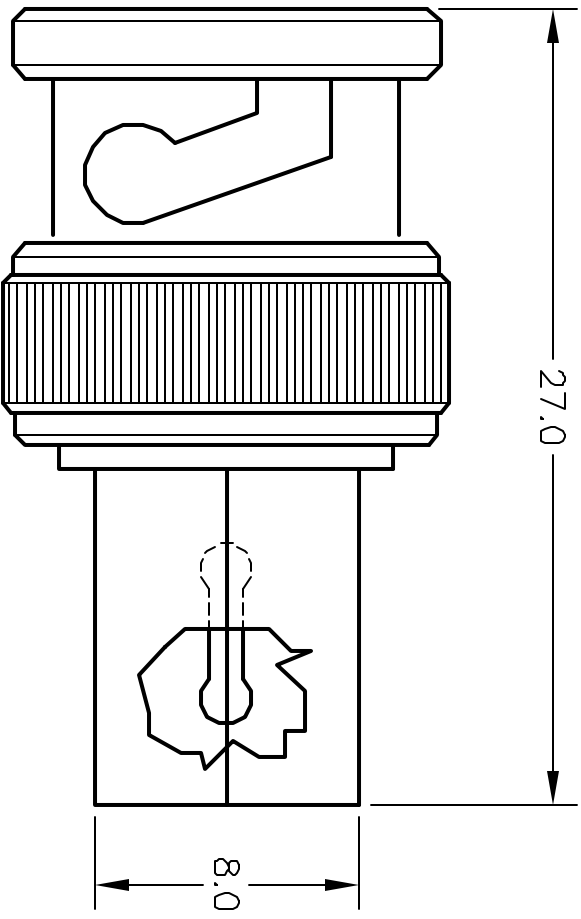
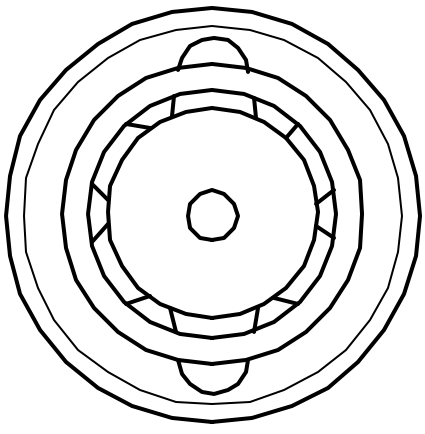


ALL RIGHTS RESERVED. NO PORTION OF THIS PUBLICATION, WHETHER IN WHOLE OR IN PART CAN BE REPRODUCED WITHOUT THE EXPRESS WRITTEN CONSENT OF SPC TECHNOLOGY.

REVISIONS		DOC. NO.	SPC-F005	Effective:	12/21/98	Doc No.	880	
DWG #	REV	DESCRIPTION	DRAWN	DATE	CHECKD	DATE	APPRVD	DATE
366	A	Released						
	B	Redrawn & Updated	JWM	3/21/01	JC	3/29/01	JC	3/29/01



- Materials**
1. Body: Brass - Nickel Plated
 2. Contact: Brass - Gold Plated
 3. 5W @ 1% w/o Chain
 4. Insulator: Delrin

DISCLAIMER
 ALL STATEMENTS AND TECHNICAL INFORMATION CONTAINED HEREIN ARE BASED UPON INFORMATION AND/OR TESTS WE BELIEVE TO BE ACCURATE AND RELIABLE. SINCE CONDITIONS OF USE ARE BEYOND OUR CONTROL, THE USER SHALL DETERMINE THE SUITABILITY OF THE PRODUCT FOR THE INTENDED USE AND ASSUME ALL RISK AND LIABILITY WHATSOEVER IN CONNECTION THEREWITH.

UNLESS OTHERWISE SPECIFIED, DIMENSIONS ARE FOR REFERENCE PURPOSES ONLY.

DRAWN BY: JC		DATE: 7/23/91		DRAWING TITLE: 75 Ohm BNC Terminator	
CHECKED BY:		DATE:		SIZE DWG. NO. CP-88-T-75	
APPROVED BY:		DATE:		SCALE: NTS U.O.M.: Millimeters	
				ELECTRONIC FILE 90N3213.dwg	
				REV B	
				SHEET: 1 OF 1	

