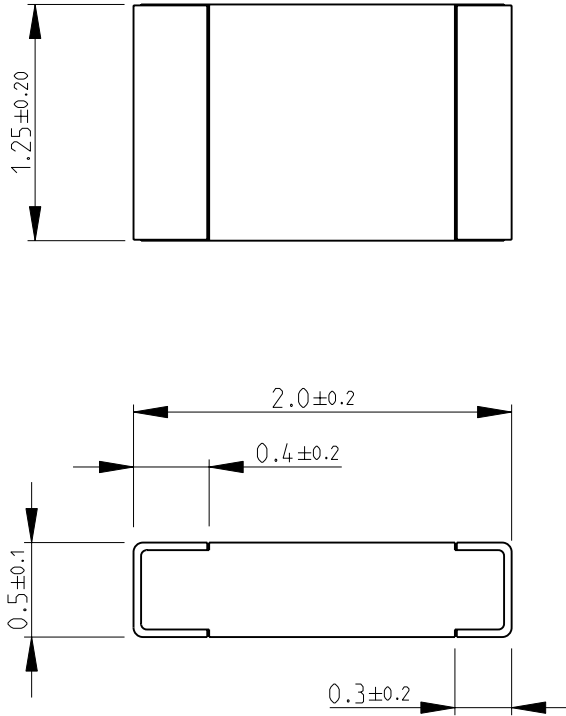
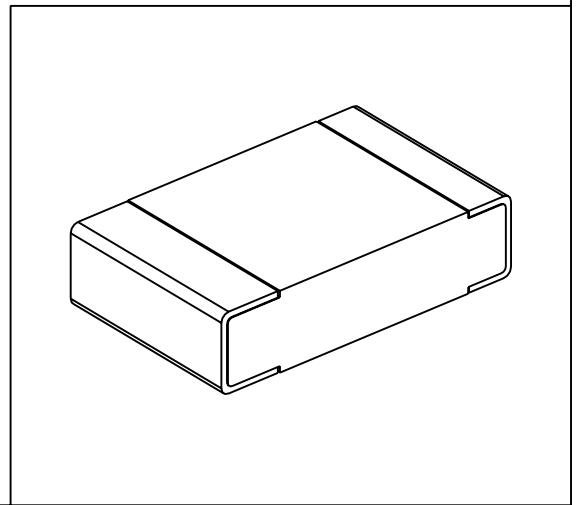


LOC	DIST	REVISIONS					
E	B	P	LTR	DESCRIPTION	DATE	DWN	APVD
		BA1		AS PER ECR-09-006166	17-MAR-09	SM	JC

FOR FURTHER INFORMATION SEE DATA SHEET FOR
CPF SERIES-THIN FILM PRECISION CHIP RESISTORS



RoHS Compliant



2008

RELEASED FOR PUBLICATION

THIS DRAWING IS UNPUBLISHED.

BY TYCO ELECTRONICS CORPORATION. ALL RIGHTS RESERVED.

© COPYRIGHT 2008

DIMENSIONS: mm	DWN	SUBHASH.M	23-Sep-08	MATERIAL	-	FINISH	-
	CHK	PRAKASH.S	23-Sep-08	Tyco Electronics Tyco Electronics Corporation Dorcan, Swindon, SN3 5HH	NAME THIN FILM PRECISION CHIP RESISTORS SERIES CPF 0805		
TOLERANCES UNLESS OTHERWISE SPECIFIED:	APVD	STEPHEN.P	23-Sep-08				
0 PLC ± 0.2	PRODUCT SPEC	-	-	A 4	00779	© = 1614890	-
1 PLC ± 0.1	APPLICATION SPEC	-	-	CUSTOMER DRAWING			SCALE 25:1
2 PLC \pm	WEIGHT	-	-				SHEET 1 OF 1
3 PLC \pm							REV BA1
4 PLC \pm							
ANGLES $\pm 5^\circ$							

Mouser Electronics

Authorized Distributor

Click to View Pricing, Inventory, Delivery & Lifecycle Information:

[TE Connectivity:](#)

[CPF0805B17R4E1](#)