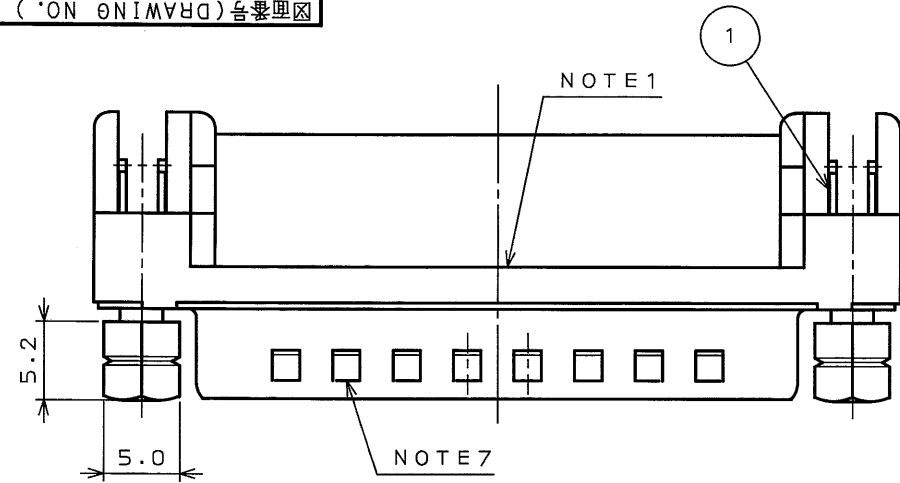


SJ038343  
(DRAWING NO.) 台架型図

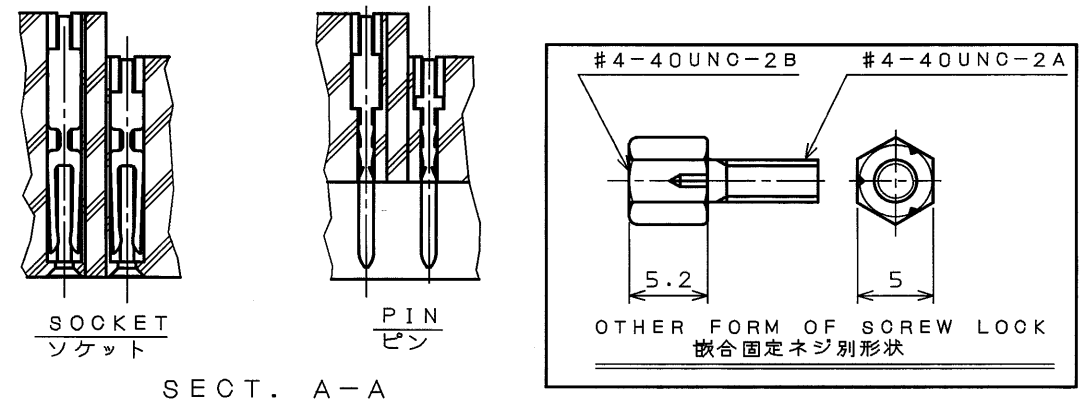
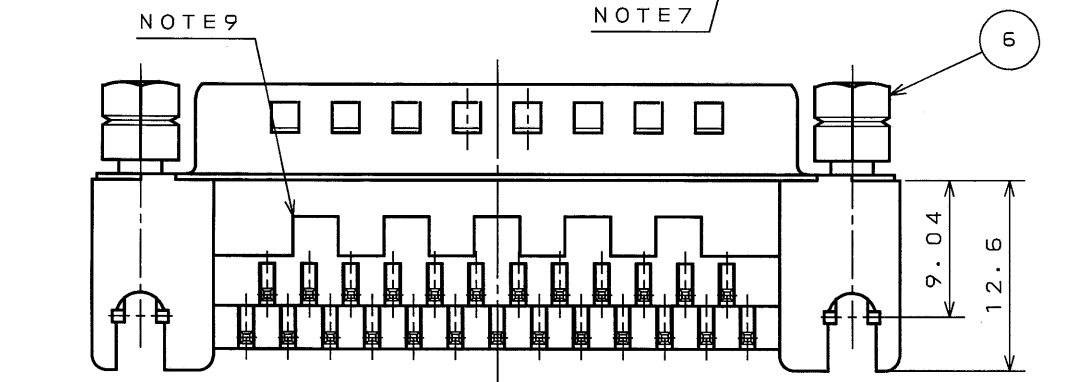
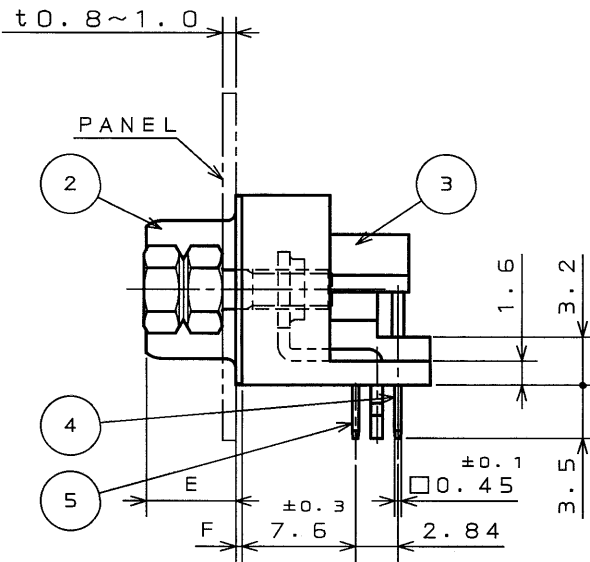
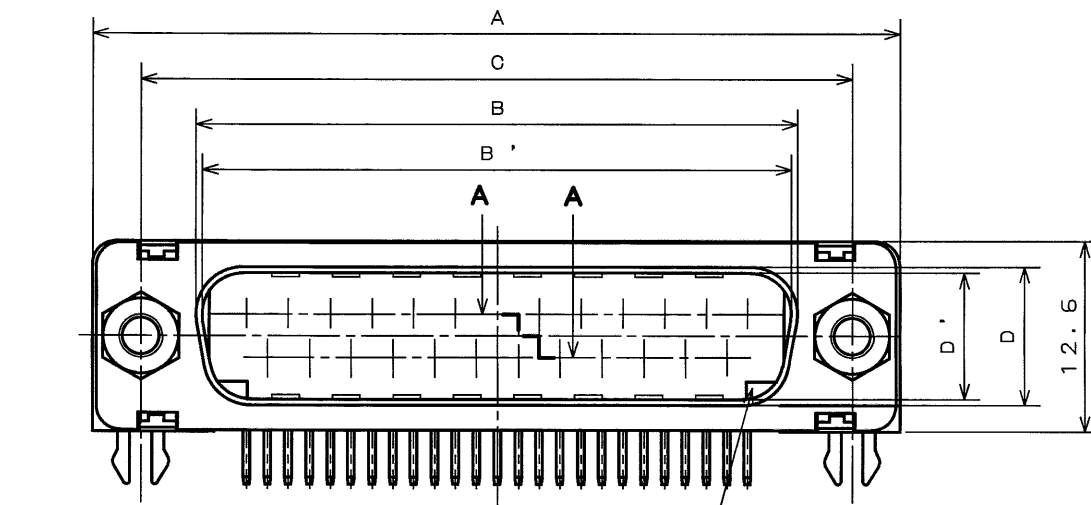
版数 SYM.	年月日 DATE	DCN NO.	変更内容 DESCRIPTION	製図 DR.	担当 CHK.	査閲 APP.	承認 APP.



DESIGNATION  
命名法

D※LC-J※AF-20L9E  
(LEAD FREE) TIN/TIN ALLOY  
錫または錫合金(無鉛)  
MODIFICATION  
特殊記号  
CONTACT TYPE P:PIN CONTACT S:SOCKET CONTACT  
コンタクト区分 P:ピンコンタクト S:ソケットコンタクト  
CONTACT ARRANGEMENT(No.CONTACTS:9,15,25,37)  
コンタクト配列(芯数:9, 15, 25, 37)  
SHELL SIZE(E,A,B,C)  
シェルサイズ(E, A, B, C)  
SERIES  
シリーズ名

NOTE1.COMPANY LOGO "JAE"&"PART NO." ARE MARKED ON FLANGE OF INSULATOR.  
"F-20L9E" IS NOT MARKED ON CONNECTOR.  
2.METAL SHELL IS TENTATIVELY ASSEMBLED WITH INSERT BODY AND SHOULD BE FIXED WITH SCREW LOCKS FOR ACTUAL USE.  
3.APPLICABLE P.C.B. IS 1.6±0.2mm THICK.  
4.CONTACT FINISH CONTACT AREA : GOLD OVER NICKEL(Au:0.1μmMIN.)  
TERMINAL AREA : (LEAD FREE)TIN/TIN ALLOY  
5.FOR P.C.B. OUTOUT DIMENSIONS,SEE DWG.SJ014290.  
6.FOR CONTACT ARRANGEMENTS,SEE DWG.SJ010210.  
7.ONLY PIN CONNECTORS HAVE PROJECTIONS ON SHELL.  
8.SCREW LOCKS ARE TENTATIVELY FIXED.  
9.THESE ARE SHAPES IMPROVING PRODUCTIVITY AND THE SHAPES ARE FOR REFERENCE ONLY.



SECT. A-A

TABLE. 1

PART NO.	±1	±0.25	±0.25	±0.13	±0.25	±0.25	±0.5	±0.1	CONTACT Q'TY コンタクト構成	
	A	B	B'	C	D	D'	E	F	#1	#2
DELC-J9PAF-20L9E	30.8	—	16.90	24.99	—	8.34	6.0	0.4	4	5
DELC-J9SAF-20L9E	30.8	16.26	—	24.99	7.82	—	6.1	0.4	4	5
DALC-J15PAF-20L9E	39.1	—	25.24	33.32	—	8.34	6.0	0.4	7	8
DALC-J15SAF-20L9E	39.1	24.59	—	33.32	7.82	—	6.1	0.4	7	8
DBLC-J25PAF-20L9E	53.0	—	39.01	47.04	—	8.40	6.0	0.6	12	13
DBLC-J25SAF-20L9E	53.0	38.30	—	47.04	7.82	—	6.1	0.4	12	13
DCLC-J37PAF-20L9E	69.3	—	55.47	63.50	—	8.40	6.0	0.6	18	19
DCLC-J37SAF-20L9E	69.3	54.76	—	63.50	7.82	—	6.1	0.4	18	19

6	SCREW LOCK	2	STEEL	NICKEL PLATING	#4-40UNC
5	CONTACT #1	SEE TABLE1	COPPER ALLOY	NOTE4	
4	CONTACT #2	SEE TABLE1	COPPER ALLOY	NOTE4	
3	INSULATOR	1	PBT		UL94 V-0
2	SHELL	1	STEEL	NICKEL PLATING	
1	EARTH LUG	2	COPPER ALLOY	(LEAD FREE)TIN/TIN ALLOY	
符号 ITEM	名称 DESCRIPTION	個数 Q'TY	材料 MATERIAL	仕上 FINISH	備考 REMARKS
仕様書(REFERENCE DOCUMENT)		第1版(DATE) 3.Mar.2003		凡例(Scale) 2:1 D-sub 日本航空電子工業株式会社	
公差差(GENERAL TOLERANCE)		製図 DR. S.MIURA		名称(TITLE) D※LC-J※AF -20L9E	
寸法(DIMENSION)		担当 CHK. Y.TAKA01		JAE ELECTRONICS INDUSTRY, LTD.	
角度(ANGLES)		査閲 APP.		図面番号(DRAWING NO.) SJ038343	
. ±		承認 APP. J. Kubota		重量(WEIGHT)	
.X ±0.5					
.XX ±0.25					
.XXX ±					

LEAD FREE この製品は鉛フリー品です

本図面は日本航空電子工業(株)の所有する情報を含むもので当社の許可なく複製を禁止する。  
THIS DRAWING CONTAINS INFORMATION THAT IS PROPRIETARY TO JAE AND SHOULD NOT BE USED WITHOUT WRITTEN PERMISSION.

JAE Connector Div. Proprietary. Copyright © 2003 Japan Aviation Electronics Industry, Ltd. DOF-0-0-2120(97.10)

88005-61-EO-SDC 03-10-199-50088

# Mouser Electronics

Authorized Distributor

Click to View Pricing, Inventory, Delivery & Lifecycle Information:

[JAE Electronics:](#)

[DALC-J15SAF-20L9E](#)