

REFERENCE SPECIFICATIONS

MIL-DTL-24308 FOR DIMENSIONS

NFC-93425 FOR CHARACTERISTICS

PHYSICAL CHARACTERISTICS

- INSULATOR MATERIAL: THERMOPLASTIC UL94V0
- CONTACT MATERIAL: BRASS,  
GOLD OVER NICKEL
- ACCESSORIES: STEEL FOR METAL BRACKETS,  
cadmium plated yellow passivation  
THERMOPLASTIC UL94V0 FOR PLASTIC BRACKETS  
BRASS FOR OTHERS ACCESSORIES,  
cadmium plated yellow passivation
- SHELLS: STEEL,  
cadmium plated yellow passivation

ELECTRICAL CHARACTERISTICS

- NOMINAL CURRENT: 7.5A
- CONTACT RESISTANCE: <=7.3 m Ohms
- CONTACT/CONTACT : >=1000 V
- CONTACT/GROUND : >=1200 V
- INSULATION RESISTANCE: >=5000 MOhms

ENVIRONMENTAL CHARACTERISTICS

- CLIMATIC CATEGORY: 55/125/56  
TEMPERATURE RANGE -55°C TO +125°C  
DAMP HEAT STEADY STATE 56 DAYS  
SALT SPRAY 48 HOURS

MECHANICAL CHARACTERISTICS

- RETENTION AGAINST TORQUE: -Threaded insert:0.7 N.m min  
-Female screw:0.5 N.m min

# DBML25P700M

Series

Shell size: **E A B C D**  
(see sheet 3)

Front accessory definition  
(see sheet 2)

- Blank** :without accessory
- L** :threaded insert M3
- O** :threaded insert UNC 4-40
- V** :female screw UNC 4-40

Layout of contacts (see sheet 3)

**9,15,25,37,50**

Contacts

- P** :Pin

Termination type

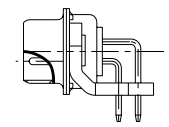
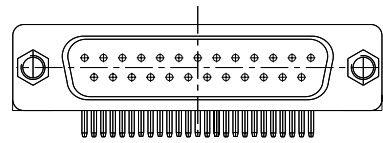
- 7** Right angle/US foot print

Plating

- 00** Right angle 500 matings/unmatings
- 43** Right angle 500 matings/unmatings  
for harsh environment

PCB accessories definition(see sheet 2)

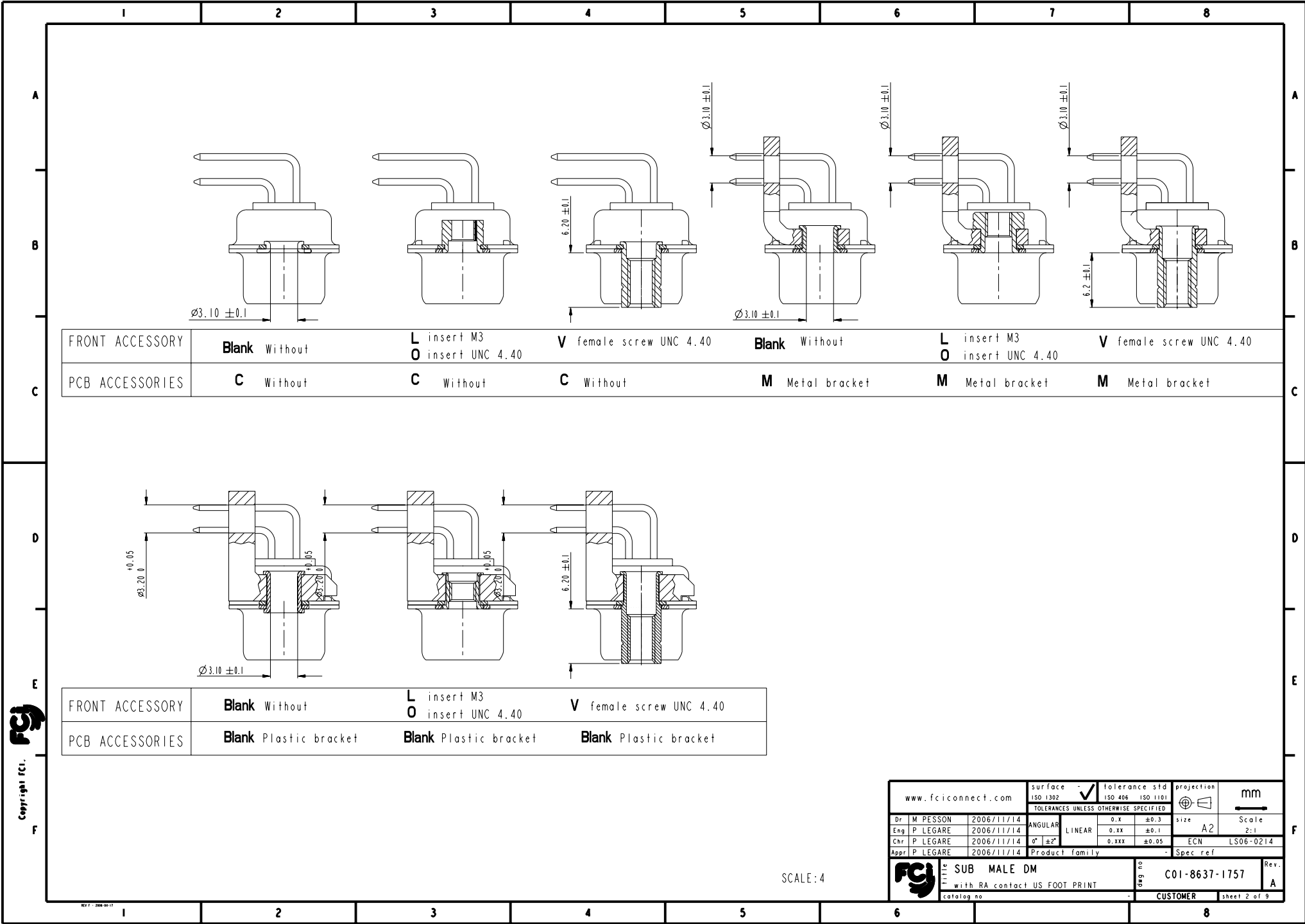
- Blank** :Plastic brackets
- C** :Without brackets
- M** :Metal brackets



25 WAY for Example

Copyright FCi

www.fciconnect.com		surface -	tolerance std	projection	mm
		ISO 1302	ISO 406 ISO 1101		
		TOLERANCES UNLESS OTHERWISE SPECIFIED			
Dr	M PESSON	2006/11/14	ANGULAR	0.X ±0.3	size A2 Scale 2:1
Eng	P LEGARE	2006/11/14	LINEAR	0.xx ±0.1	ECN LS06-0214
Chr	P LEGARE	2006/11/14	0° ±2°	0.xxx ±0.05	Spec ref
Appr	P LEGARE	2006/11/14	Product family		
		SUB MALE DM		ang no	Rev.
		with RA contact US FOOT PRINT		C01-8637-1757	A
catalog no		CUSTOMER		sheet 1 of 9	



FRONT ACCESSORY	<b>Blank</b> Without	<b>L</b> insert M3 <b>O</b> insert UNC 4.40	<b>V</b> female screw UNC 4.40	<b>Blank</b> Without	<b>L</b> insert M3 <b>O</b> insert UNC 4.40	<b>V</b> female screw UNC 4.40
PCB ACCESSORIES	<b>C</b> Without	<b>C</b> Without	<b>C</b> Without	<b>M</b> Metal bracket	<b>M</b> Metal bracket	<b>M</b> Metal bracket

FRONT ACCESSORY	<b>Blank</b> Without	<b>L</b> insert M3 <b>O</b> insert UNC 4.40	<b>V</b> female screw UNC 4.40
PCB ACCESSORIES	<b>Blank</b> Plastic bracket	<b>Blank</b> Plastic bracket	<b>Blank</b> Plastic bracket

www.fciconnect.com		surface - ISO 1302	tolerance std ISO 406 ISO 1101	projection mm
		TOLERANCES UNLESS OTHERWISE SPECIFIED		
Dr	M PESSON	2006/11/14	ANGULAR	0.X ±0.3
Eng	P LEGARE	2006/11/14	LINEAR	0.XX ±0.1
Chr	P LEGARE	2006/11/14	0° ±2°	0.XXX ±0.05
Appr	P LEGARE	2006/11/14	Product family	- Spec ref
SUB MALE DM		with RA contact US FOOT PRINT		Rev. A
catalog no		CUSTOMER		sheet 2 of 9

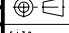

SCALE: 4

PART NUMBER	FRONT ACCESSORY	PCB ACCESSORY
D*MxxP700C	without	without
D*MLxxP700C	insert M3	without
D*MOxxP700C	insert UNC 4.40	without
D*MVxxP700C	female screw UNC 4.40	without
D*MxxP700M	without	Metal bracket
D*MLxxP700M	insert M3	Metal bracket
D*MOxxP700M	insert UNC 4.40	Metal bracket
D*MVxxP700M	female screw UNC 4.40	Metal bracket
D*MxxP700	without	Plastic bracket
D*MLxxP700	insert M3	Plastic bracket
D*MOxxP700	insert UNC 4.40	Plastic bracket
D*MVxxP700	female screw UNC 4.40	Plastic bracket

shell size	Contact number
	XX
E	09
A	15
B	25
C	37
D	50

PART NUMBER	FRONT ACCESSORY	PCB ACCESSORY
D*MxxP743C	without	without
D*MLxxP743C	insert M3	without
D*MOxxP743C	insert UNC 4.40	without
D*MVxxP743C	female screw UNC 4.40	without
D*MxxP743M	without	Metal bracket
D*MLxxP743M	insert M3	Metal bracket
D*MOxxP743M	insert UNC 4.40	Metal bracket
D*MVxxP743M	female screw UNC 4.40	Metal bracket
D*MxxP743	without	Plastic bracket
D*MLxxP743	insert M3	Plastic bracket
D*MOxxP743	insert UNC 4.40	Plastic bracket
D*MVxxP743	female screw UNC 4.40	Plastic bracket

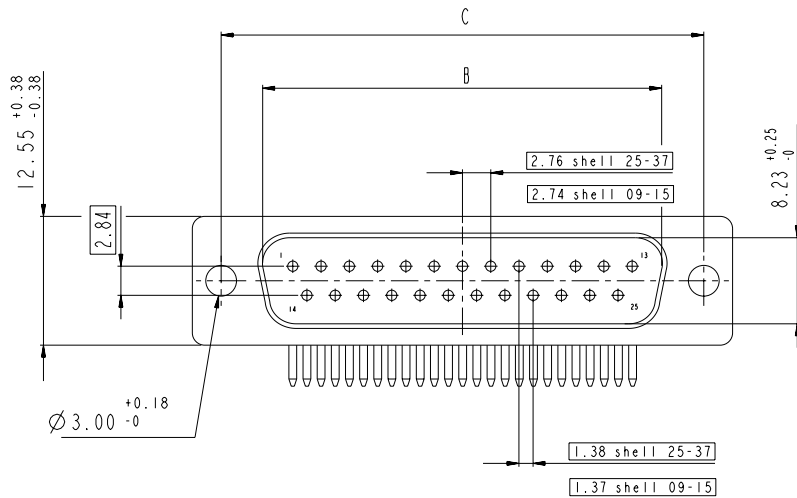
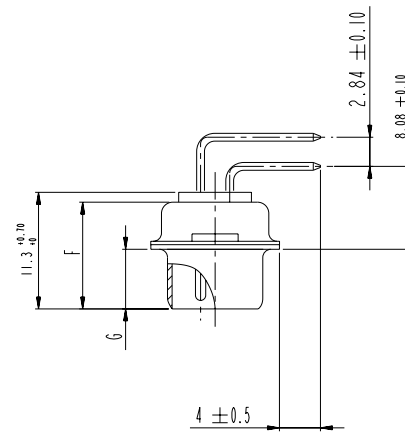
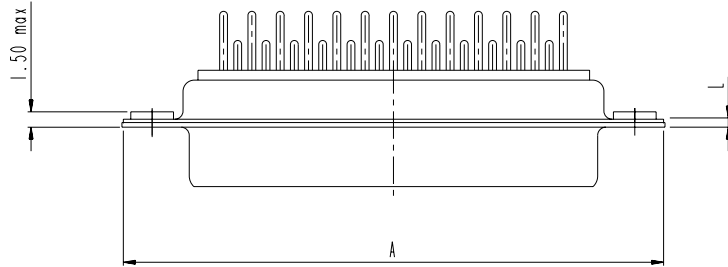
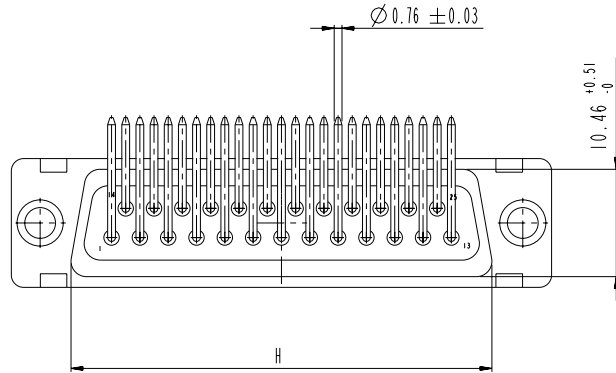
Copyright fci. 

www.fciconnect.com		surface - ISO 1302 <input checked="" type="checkbox"/>	tolerance std ISO 406 ISO 1101	projection 	mm
		TOLERANCES UNLESS OTHERWISE SPECIFIED			
Dr	M PESSON	2006/11/14	ANGULAR	0.X ±0.3	size A2 Scale 2:1
Eng	P LEGARE	2006/11/14	LINEAR	0.XX ±0.1	
Chr	P LEGARE	2006/11/14	Ø ±2	0.XXX ±0.05	ECN LS06-0214
Appr	P LEGARE	2006/11/14	Product family		Spec ref
 SUB MALE DM		with RA contact US FOOT PRINT		aug no C01-8637-1757	Rev. A
catalog no		CUSTOMER		sheet 3 of 9	

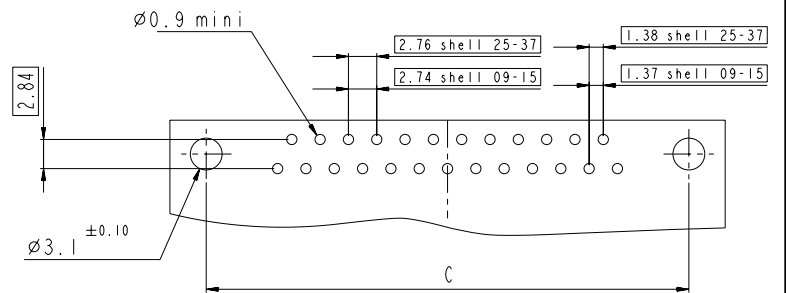
DIMENSION FOR SHELL E,A,B,C WITHOUT BRACKET

Dimensions are in millimeters

Shell size	Number of contacts	A $^{+0.76}_{-0}$	B $^{+0.25}_{-0}$	C $\pm 0.12$	F $^{+0.57}_{-0}$	G $^{+0.25}_{-0}$	H $^{+0.51}_{-0}$	L $^{+0.22}_{-0}$
E	09	30.43	16.79	24.99	10.47	5.9 $^{+0.15}_{-0}$	19.02	0.80
A	15	38.76	25.12	33.32	10.47	5.9 $^{+0.15}_{-0}$	27.25	0.80
B	25	52.65	38.84	47.04	10.43	5.7 $^{+0.25}_{-0}$	41.02	0.80
C	37	68.94	55.30	63.50	10.56	5.7 $^{+0.25}_{-0}$	57.45	0.90



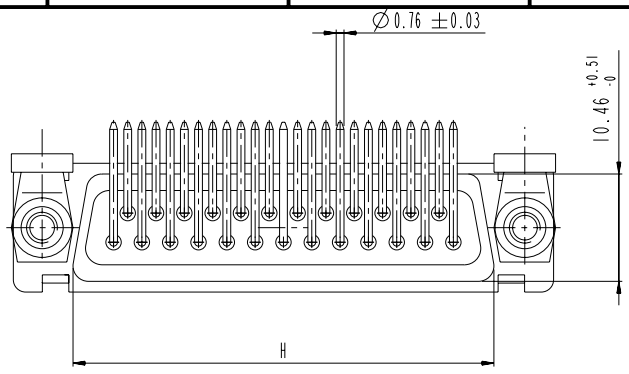
LAYOUT DIMENSIONS



SCALE: 3

www.fciconnect.com		surface -	tolerance std	projection	mm
		ISO 1302	ISO 406	ISO 1101	
TOLERANCES UNLESS OTHERWISE SPECIFIED					
Dr	M PESSON	2006/11/14	ANGULAR	0.X	$\pm 0.3$
Eng	P LEGARE	2006/11/14	LINEAR	0.XX	$\pm 0.1$
Chr	P LEGARE	2006/11/14	$\text{Ø } \pm z$	0.XXX	$\pm 0.05$
Appr	P LEGARE	2006/11/14	Product family	-	Spec ref
SUB MALE DM			ang no	C01-8637-1757	
with RA contact US FOOT PRINT			Rev.	A	
catalog no			CUSTOMER	sheet 4 of 9	

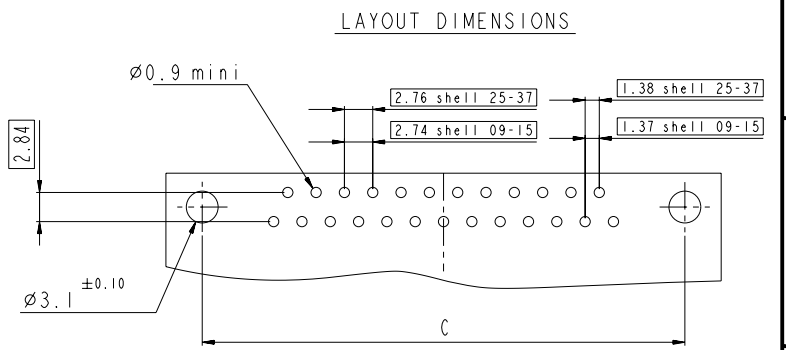
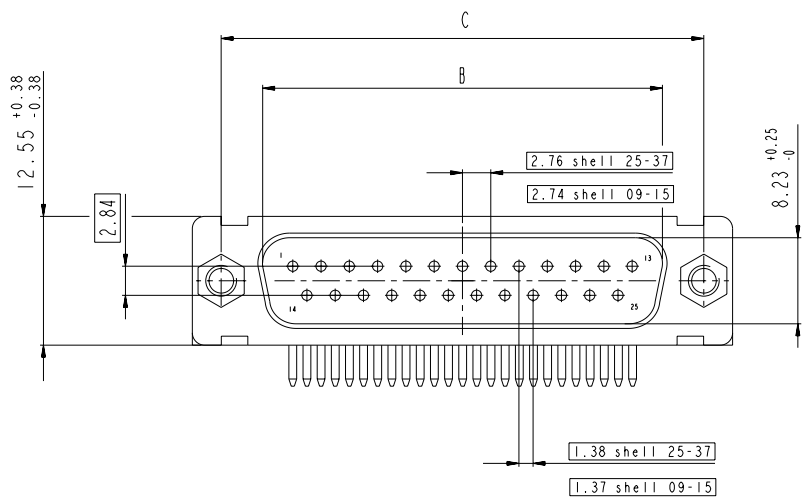
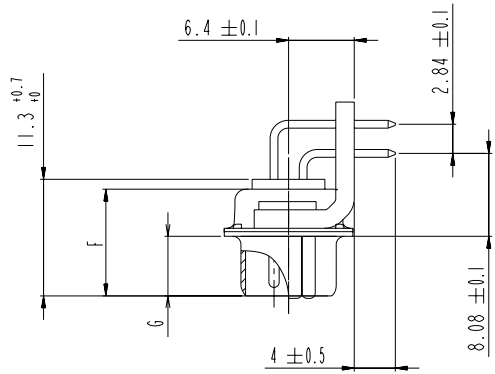
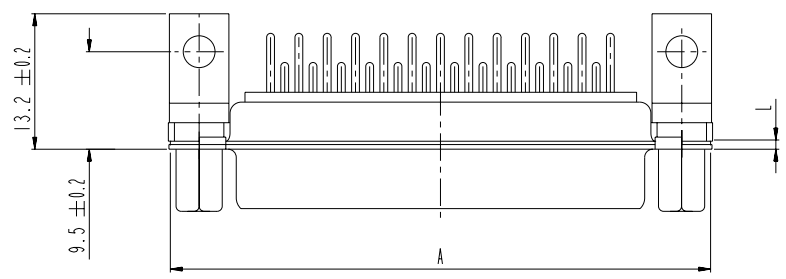
Copyright fci. fci



### DIMENSION FOR SHELL E,A,B,C WITH METAL BRACKET

Dimensions are in millimeters

Shell size	Number of contacts	A <sup>+0.76</sup> / <sub>-0</sub>	B <sup>+0.25</sup> / <sub>-0</sub>	C ±0.12	F <sup>+0.57</sup> / <sub>-0</sub>	G <sup>+0.25</sup> / <sub>-0</sub>	H <sup>+0.51</sup> / <sub>0</sub>	L <sup>+0.22</sup> / <sub>-0</sub>
E	09	30.43	16.79	24.99	10.47	5.9 <sup>+0.15</sup> / <sub>-0</sub>	19.02	0.80
A	15	38.76	25.12	33.32	10.47	5.9 <sup>+0.15</sup> / <sub>-0</sub>	27.25	0.80
B	25	52.65	38.84	47.04	10.43	5.7 <sup>+0.25</sup> / <sub>-0</sub>	41.02	0.80
C	37	68.94	55.30	63.50	10.56	5.7 <sup>+0.25</sup> / <sub>-0</sub>	57.45	0.90



SCALE: 3

www.fciconnect.com		surface - ISO 1302 ✓	tolerance std ISO 406 ISO 1101	projection mm
		TOLERANCES UNLESS OTHERWISE SPECIFIED		
Dr M PESSON	2006/11/14	ANGULAR	0.X ±0.3	size A2
Eng P LEGARE	2006/11/14	LINEAR	0.XX ±0.1	Scale 2:1
Chr P LEGARE	2006/11/14	0° ±2°	0.XXX ±0.05	ECN LS06-0214
Appr P LEGARE	2006/11/14	Product family	-	Spec ref
SUB MALE DM		Part no C01-8637-1757		Rev. A
with RA contact US FOOT PRINT		Customer		sheet 5 of 9

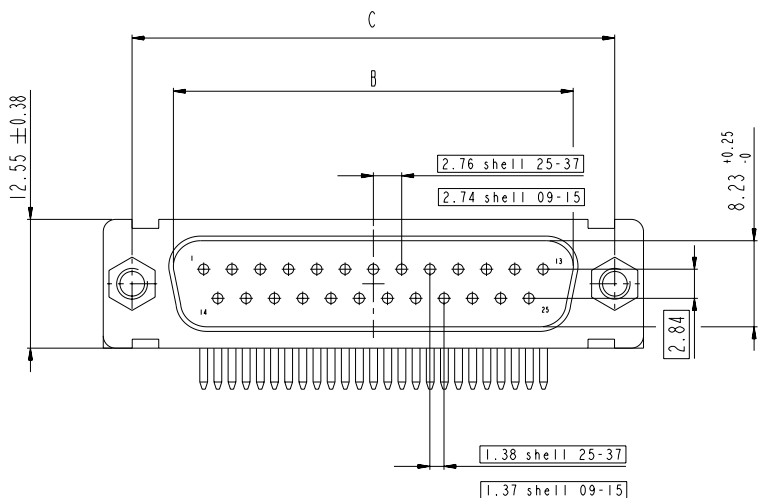
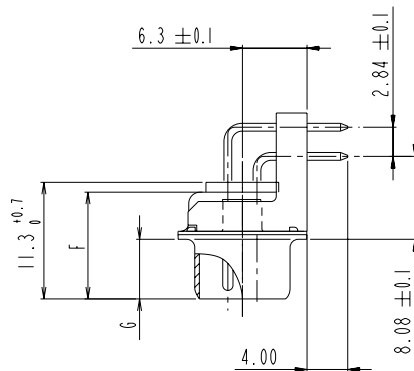
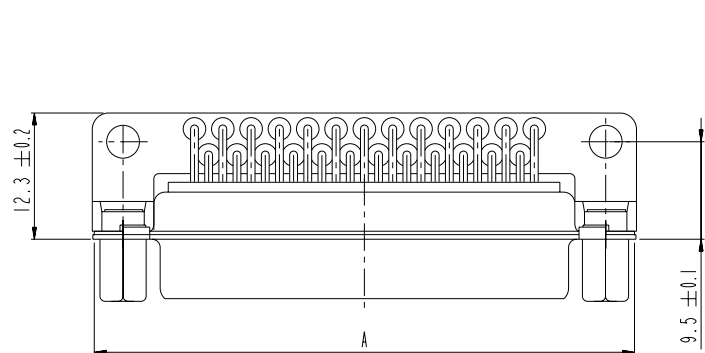
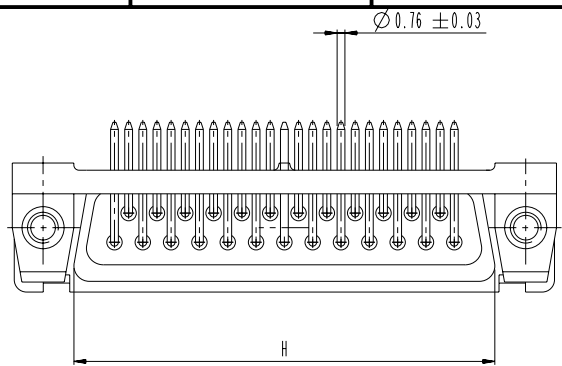
Copyright fci. FCJ

I 2 3 4 5 6 7 8

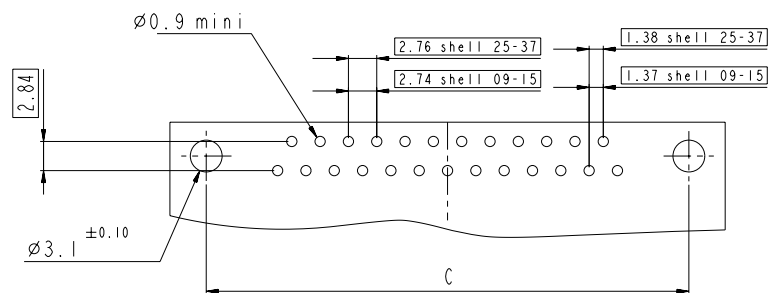
### DIMENSION FOR SHELL E,A,B,C WITH PLASTIC BRACKET

Dimensions are in millimeters

Shell size	Number of contacts	A $\begin{smallmatrix} +0.76 \\ -0 \end{smallmatrix}$	B $\begin{smallmatrix} +0.25 \\ -0 \end{smallmatrix}$	C $\pm 0.12$	F $\begin{smallmatrix} +0.57 \\ -0 \end{smallmatrix}$	G $\begin{smallmatrix} +0.25 \\ -0 \end{smallmatrix}$	H $\begin{smallmatrix} +0.51 \\ -0 \end{smallmatrix}$	L $\begin{smallmatrix} +0.22 \\ -0 \end{smallmatrix}$
E	09	30.43	16.79	24.99	10.47	5.9 $\begin{smallmatrix} +0.15 \\ -0 \end{smallmatrix}$	19.02	0.80
A	15	38.76	25.12	33.32	10.47	5.9 $\begin{smallmatrix} +0.15 \\ -0 \end{smallmatrix}$	27.25	0.80
B	25	52.65	38.84	47.04	10.43	5.7 $\begin{smallmatrix} +0.25 \\ -0 \end{smallmatrix}$	41.02	0.80
C	37	68.94	55.30	63.50	10.56	5.7 $\begin{smallmatrix} +0.25 \\ -0 \end{smallmatrix}$	57.45	0.90



### LAYOUT DIMENSIONS



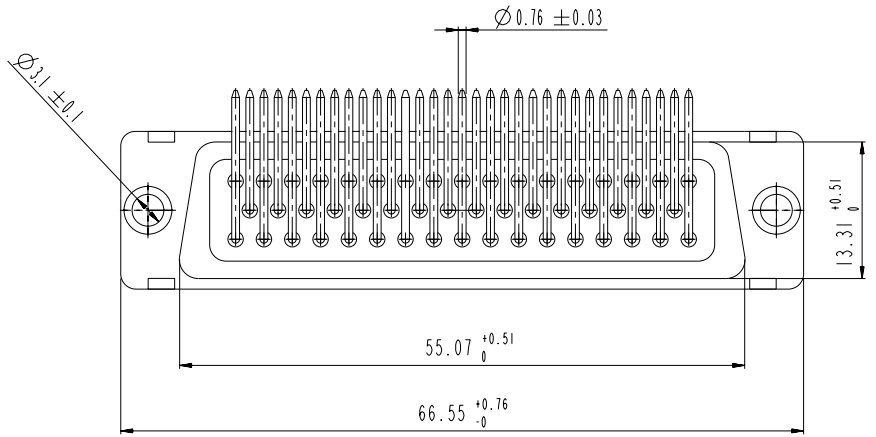
Copyright fci

www.fciconnect.com		surface - ISO 1302	tolerance std ISO 406 ISO 1101	projection mm
		TOLERANCES UNLESS OTHERWISE SPECIFIED		
Dr M PESSON	2006/11/14	ANGULAR	0.X ±0.3	size A2 Scale 2:1
Eng P LEGARE	2006/11/14	LINEAR	0.XX ±0.1	ECN LS06-0214
Chr P LEGARE	2006/11/14	0° ±2°	0.XXX ±0.05	Spec ref
Appr P LEGARE	2006/11/14	Product family		
SUB MALE DM		Part no C01-8637-1757		Rev. A
with RA contact US FOOT PRINT		CUSTOMER		sheet 6 of 9

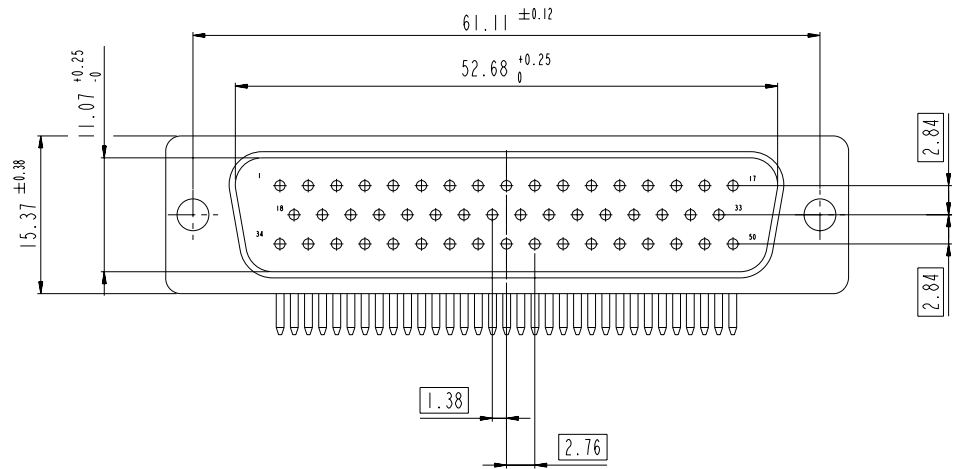
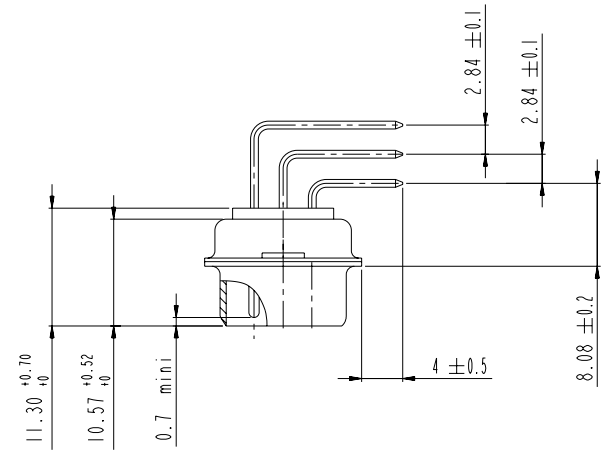
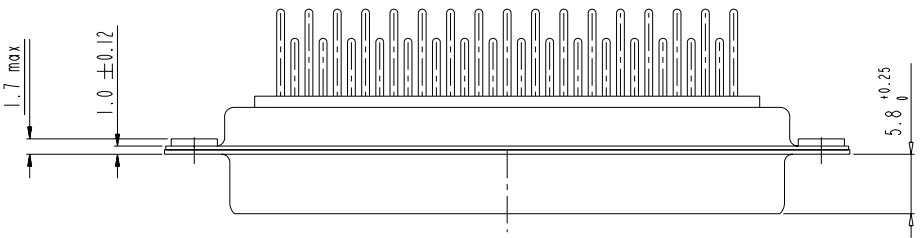
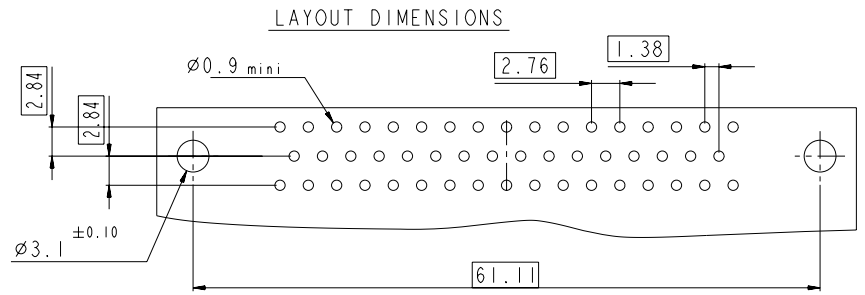
REV 7 - 2006-04-17

I 2 3 4 5 6 7 8

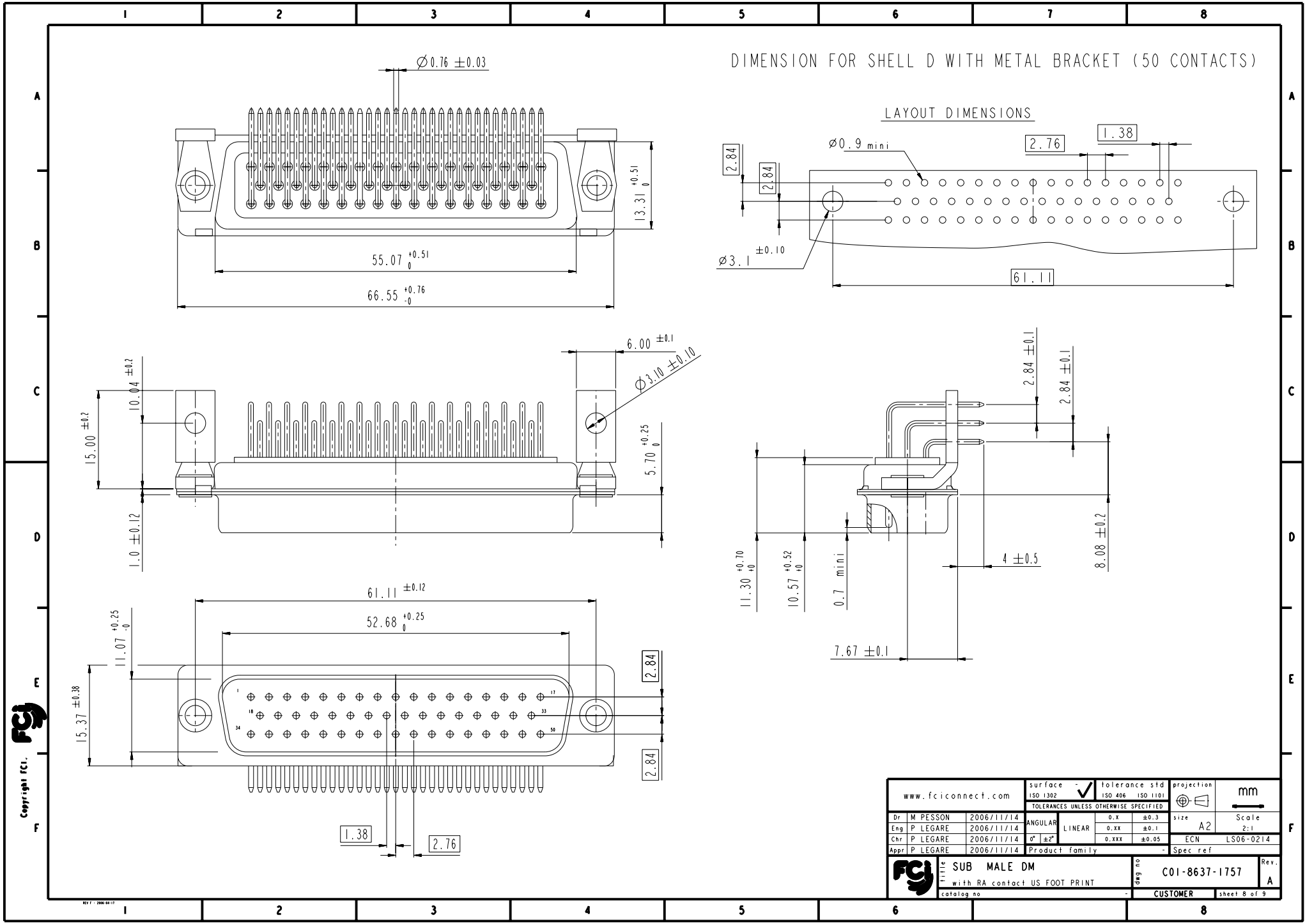
Copyright fci. **fci**



DIMENSION FOR SHELL D WITHOUT BRACKET (50 CONTACTS)



www.fciconnect.com		surface - ISO 1302 ✓	tolerance std ISO 406 ISO 1101	projection mm
		TOLERANCES UNLESS OTHERWISE SPECIFIED		
Dr M PESSON	2006/11/14	ANGULAR	0.X ±0.3	size A2
Eng P LEGARE	2006/11/14	LINEAR	0.XX ±0.1	Scale 2:1
Chr P LEGARE	2006/11/14	0° ±2'	0.XXX ±0.05	ECN LS06-0214
Appr P LEGARE	2006/11/14	Product family	-	Spec ref
<b>fci</b> SUB MALE DM		cat no	C01-8637-1757	
with RA contact US FOOT PRINT		Rev.	A	
catalog no		CUSTOMER	sheet 7 of 9	

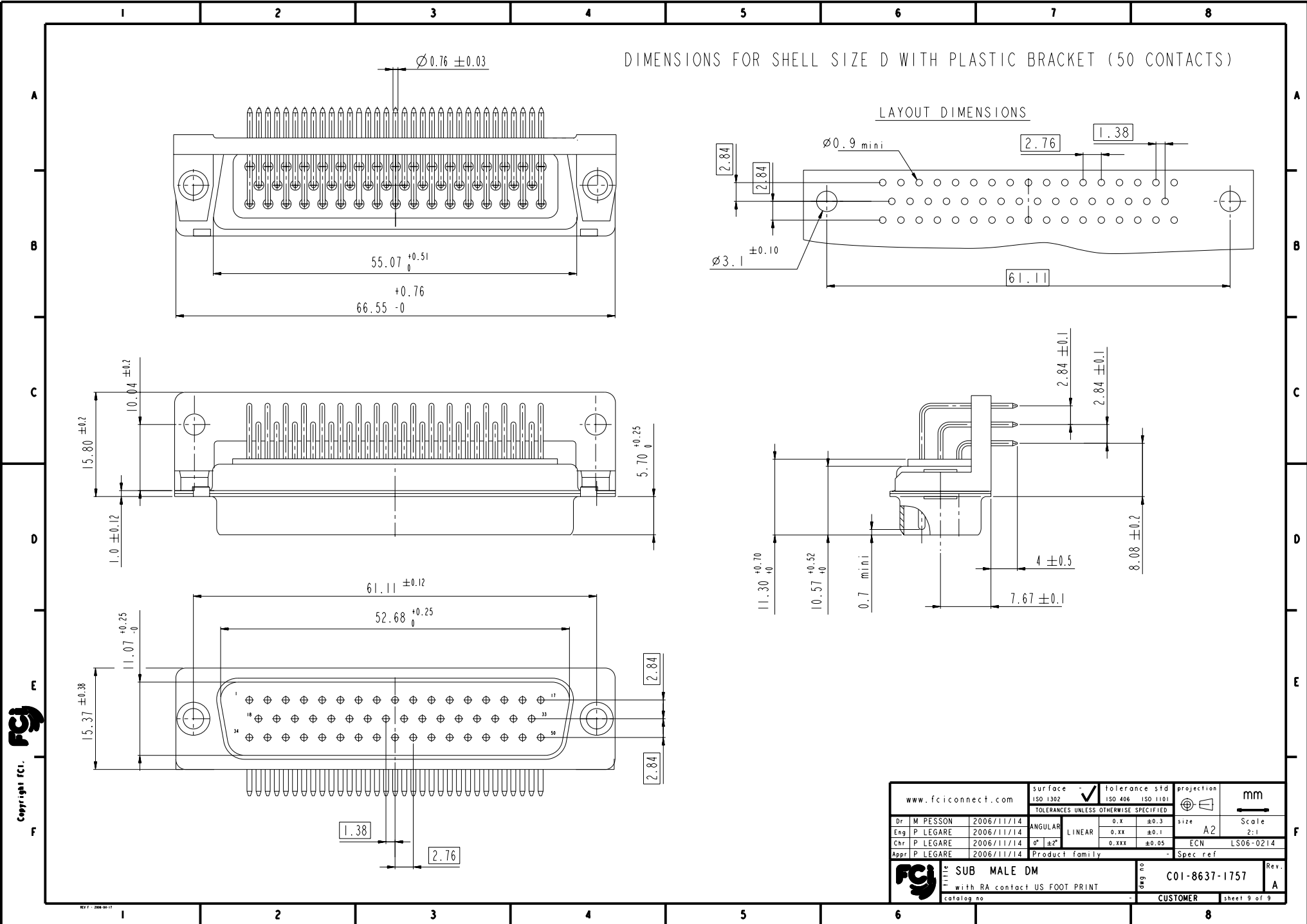


DIMENSION FOR SHELL D WITH METAL BRACKET (50 CONTACTS)

LAYOUT DIMENSIONS

Copyright fci. **fci**

www.fciconnect.com		surface - ISO 1302	tolerance std ISO 406 ISO 1101	projection mm
		TOLERANCES UNLESS OTHERWISE SPECIFIED		
Dr M PESSON	2006/11/14	ANGULAR	0.X $\pm 0.3$	size A2 Scale 2:1
Eng P LEGARE	2006/11/14	LINEAR	0.XX $\pm 0.1$	ECN LS06-0214
Chr P LEGARE	2006/11/14	$\varnothing \pm z$	0.XXX $\pm 0.05$	Spec ref
Appr P LEGARE	2006/11/14	Product family		
<b>fci</b> SUB MALE DM		ang no	C01-8637-1757	
with RA contact US FOOT PRINT		Rev.	A	
catalog no		CUSTOMER	sheet 8 of 9	



DIMENSIONS FOR SHELL SIZE D WITH PLASTIC BRACKET (50 CONTACTS)

LAYOUT DIMENSIONS

Copyright fci. fci

www.fciconnect.com		surface - ISO 1302 ✓	tolerance std ISO 406 ISO 1101	projection mm
		TOLERANCES UNLESS OTHERWISE SPECIFIED		
Dr M PESSON	2006/11/14	ANGULAR	0.X ±0.3	size A2 Scale 2:1
Eng P LEGARE	2006/11/14	LINEAR	0.XX ±0.1	ECN LS06-0214
Chr P LEGARE	2006/11/14	0° ±2°	0.XXX ±0.05	Product family - Spec ref
Appr P LEGARE	2006/11/14			
SUB MALE DM		drawing no C01-8637-1757		Rev. A
with RA contact US FOOT PRINT		CUSTOMER		sheet 9 of 9
catalog no				

# Mouser Electronics

Authorized Distributor

Click to View Pricing, Inventory, Delivery & Lifecycle Information:

[FCI:](#)

[DAMO15P700M](#) [DAMO15P743M](#) [DEMV09P743M](#) [DAMV15P743M](#) [DAM15P743](#) [DBM25P743](#) [DAM15P743C](#)