

Process Safeguarding DAL/DCL



Trapped Dual Key Access Chain Interlocks

Dual key access/chain interlock is similar to the single key version but has a secondary key to allow '2 key in' or 'key exchange' conditions and is suitable for full body access as the secondary key can be used as a personnel key. The unit may be installed in any position for LH, RH or vertically operated doors.

Actuator Locking Arm & Chain Option

Actuator locking arm is tolerant to misalignment ± 10 mm (0.39 in.). The lever arm retracts fully into the block protecting it from damage when the guard is open. The chain option is designed to lock badly fitting guards doors or gates or to connect to moveable equipment and parts.



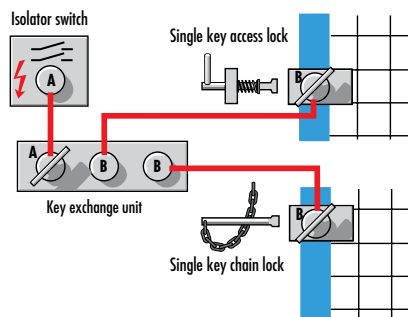
Specifications

Ambient Temperature:	-40 to 200°C (-40 to 392°F)
Mechanical Operations:	>10 ⁶
Max. Shear Force to Key:	15.1kN
Max. Torque to Key:	14 Nm
Relative Operating Humidity:	25% to 95%
Weight:	DAL: 1.35 kg (2.97 lb.)
Material:	316L stainless steel
Mounting:	DAL: 6 x M5 from top or M6 from bottom DCL: 6 x M5 from top or M6 from bottom
Code Barrels:	Tested to 1,000,000 operations
Side Bracket Inc. Bolt & Spring:	76 mm (3.0 in.)
Chain Length:	305 mm (12 in.)
Conforms to Standards:	Relevant clauses EN292, EN1088 & GS ET 19

Specifications are subject to change without notice.

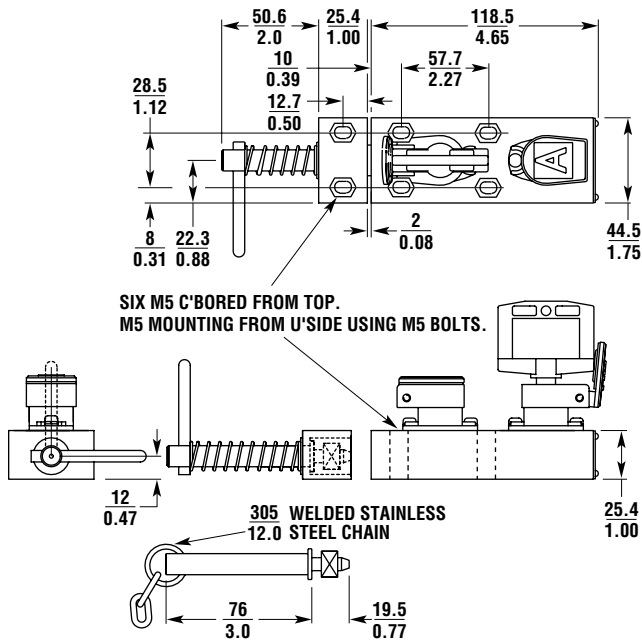
M

Applications



Dimensions

(mm/in.)



Ordering

Double Key Access Interlock

Type/Part No.	Operation
DAL 10	One key in; one key out
DAL 11	Both keys in and trapped

Double Key Chain Interlock

Type/Part No.	Operation
DCL 10	One key in; one key out
DCL 11	Both keys in and trapped

Codes 'A' to 'Z' available excluding the letter 'Q'. To specify coding, add the key code of your choice from the Key Code Table to the part no. from the Ordering Table, ie. DAL10(A) [B] is a dual key access interlock with primary 'A' key in and secondary 'B' key out. The [B] key is supplied trapped in the unit. **The primary key is ordered separately.**

Key Codes

(...) = Primary key / key free

[...] = Secondary key / key trapped

Codes						
A	Aa	Ab	Ac	Ad	Ae	Af
B	Ba	Bb	Bc	Bd	Be	Bf
C	Ca	Cb	Cc	Cd	Ce	Cf
D	Da	Db	Dc	Dd	De	Df
E	Ea	Eb	Ec	Ed	Ee	Ef
F	Fa	Fb	Fc	Fd	Fe	Ff
G	Ga	Gb	Gc	Gd	Ge	Gf
H	Ha	Hb	Hc	Hd	He	Hf
I	Ia	Ib	Ic	Id	Ie	If
J	Ja	Jb	Jc	Jd	Je	Jf
K	Ka	Kb	Kc	Kd	Ke	Kf
L	La	Lb	Lc	Ld	Le	Lf
M	Ma	Mb	Mc	Md	Me	Mf
N	Na	Nb	Nc	Nd	Ne	Nf
O	Oa	Ob	Oc	Od	Oe	Of
P	Pa	Pb	Pc	Pd	Pe	Pf
R	Ra	Rb	Rc	Rd	Re	Rf
S	Sa	Sb	Sc	Sd	Se	Sf
T	Ta	Tb	Tc	Td	Te	Tf
U	Ua	Ub	Uc	Ud	Ue	Uf
V	Va	Vb	Vc	Vd	Ve	Vf
W	Wa	Wb	Wc	Wd	We	Wf
X	Xa	Xb	Xc	Xd	Xe	Xf
Y	Ya	Yb	Yc	Yd	Ye	Yf
Z	Za	Zb	Zc	Zd	Ze	Zf



For coding details and referencing, see page M5.



To order keys, see Accessories on page M30.

OMRON AUTOMATION AND SAFETY • THE AMERICAS HEADQUARTERS • Chicago, IL USA • 847.843.7900 • 800.556.6766 • www.omron247.com

OMRON CANADA, INC. • HEAD OFFICE

Toronto, ON, Canada • 416.286.6465 • 866.986.6766 • www.omron247.com

OMRON ELECTRONICS DE MEXICO • HEAD OFFICE

México DF • 52.55.59.01.43.00 • 01-800-226-6766 • mela@omron.com

OMRON ELECTRONICS DE MEXICO • SALES OFFICE

Apodaca, N.L. • 52.81.11.56.99.20 • 01-800-226-6766 • mela@omron.com

OMRON ELETRÔNICA DO BRASIL LTDA • HEAD OFFICE

São Paulo, SP, Brasil • 55.11.2101.6300 • www.omron.com.br

OMRON ARGENTINA • SALES OFFICE

Cono Sur • 54.11.4783.5300

OMRON CHILE • SALES OFFICE

Santiago • 56.9.9917.3920

OTHER OMRON LATIN AMERICA SALES

54.11.4783.5300

OMRON EUROPE B.V. • Wegalaan 67-69, NL-2132 JD, Hoofddorp, The Netherlands. • +31 (0) 23 568 13 00 • www.industrial.omron.eu

Authorized Distributor:

Automation Control Systems

- Machine Automation Controllers (MAC) • Programmable Controllers (PLC)
- Operator interfaces (HMI) • Distributed I/O • Software

Drives & Motion Controls

- Servo & AC Drives • Motion Controllers & Encoders

Temperature & Process Controllers

- Single and Multi-loop Controllers

Sensors & Vision

- Proximity Sensors • Photoelectric Sensors • Fiber-Optic Sensors
- Amplified Photomicrosensors • Measurement Sensors
- Ultrasonic Sensors • Vision Sensors

Industrial Components

- RFID/Code Readers • Relays • Pushbuttons & Indicators
- Limit and Basic Switches • Timers • Counters • Metering Devices
- Power Supplies

Safety

- Laser Scanners • Safety Mats • Edges and Bumpers • Programmable Safety Controllers • Light Curtains • Safety Relays • Safety Interlock Switches