

Printed Circuit Mount Power Transformers



Miniature Low Power Transformers



Signal's PC low power transformers are designed to operate between 50 Hz and 500 Hz without any degradation in output voltage.

General Specifications

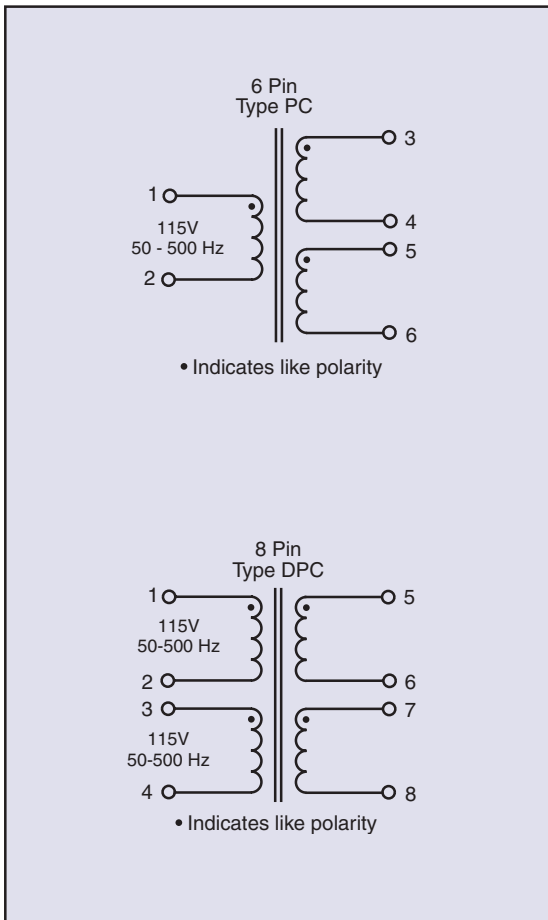
- Power - 1.0 VA to 24 VA
- Dielectric Strength - 1500 Vrms Hipot
- Primaries - Single or dual primaries, 115 V or 115/230 V, 50-500 Hz
- Dual Secondaries - Series or parallel
- Insulation System - Class B, 130° C, UL 1446 E66312
- Mounting Brackets - see chart

Agency Certifications

- UL recognized to UL 506 / UL 5085-2, File # E63829
- CSA certified to C22.2 #66.1, File # 221070



Primary 50/500 Hz		VA	Secondary RMS Rating	
Single 115V 6 Pin	Dual 115/230V 8 Pin	Size	Series	Parallel
PC-10-90	DPC-10-90	1.0	10VCT @ 90mA	5V @ 180mA
PC-10-120	DPC-10-120	1.2	10VCT @ 120mA	5V @ 240mA
PC-10-440	DPC-10-440	4.4	10VCT @ 440mA	5V @ 880mA
PC-10-1000	DPC-10-1000	10.0	10VCT @ 1.0A	5V @ 2.0A
PC-10-2400	DPC-10-2400	24.0	10VCT @ 2.4A	5V @ 4.8A
PC-12-70	DPC-12-70	1.0	12.6VCT @ 70mA	6.3V @ 140mA
PC-12-100	DPC-12-100	1.2	12.6VCT @ 100mA	6.3V @ 200mA
PC-12-350	DPC-12-350	4.4	12.6VCT @ 350mA	6.3V @ 700mA
PC-12-800	DPC-12-800	10.0	12.6VCT @ 800mA	6.3V @ 1.6A
PC-12-2000	DPC-12-2000	24.0	12.6VCT @ 2.0A	6.3V @ 4.0A
PC-16-55	DPC-16-55	1.0	16VCT @ 55mA	8V @ 110mA
PC-16-75	DPC-16-75	1.2	16VCT @ 75mA	8V @ 150mA
PC-16-260	DPC-16-260	4.4	16VCT @ 260mA	8V @ 520mA
PC-16-640	DPC-16-640	10.0	16VCT @ 640mA	8V @ 1.28A
PC-16-1500	DPC-16-1500	24.0	16VCT @ 1.50A	8V @ 3.0A
PC-20-45	DPC-20-45	1.0	20VCT @ 45mA	10V @ 90mA
PC-20-60	DPC-20-60	1.2	20VCT @ 60mA	10V @ 120mA
PC-20-220	DPC-20-220	4.4	20VCT @ 220mA	10V @ 440mA
PC-20-500	DPC-20-500	10.0	20VCT @ 500mA	10V @ 1.0A
PC-20-1200	DPC-20-1200	24.0	20VCT @ 1.20A	10V @ 2.40A
PC-24-35	DPC-24-35	1.0	24VCT @ 35mA	12V @ 70mA
PC-24-50	DPC-24-50	1.2	24VCT @ 50mA	12V @ 100mA
PC-24-180	DPC-24-180	4.4	24VCT @ 180mA	12V @ 360mA
PC-24-450	DPC-24-450	10.0	24VCT @ 450mA	12V @ 900mA
PC-24-1000	DPC-24-1000	24.0	24VCT @ 1.0A	12V @ 2.0A
PC-28-30	DPC-28-30	1.0	28VCT @ 30mA	14V @ 60mA
PC-28-40	DPC-28-40	1.2	28VCT @ 40mA	14V @ 80mA
PC-28-160	DPC-28-160	4.4	28VCT @ 160mA	14V @ 320mA
PC-28-360	DPC-28-360	10.0	28VCT @ 360mA	14V @ 720mA
PC-28-800	DPC-28-800	24.0	28VCT @ 800mA	14V @ 1.60A
PC-34-25	DPC-34-25	1.0	34VCT @ 25mA	17V @ 50mA
PC-34-35	DPC-34-35	1.2	34VCT @ 35mA	17V @ 70mA
PC-34-125	DPC-34-125	4.4	34VCT @ 125mA	17V @ 250mA
PC-34-300	DPC-34-300	10.0	34VCT @ 300mA	17V @ 600mA
PC-34-700	DPC-34-700	24.0	34VCT @ 700mA	17V @ 1.40A
PC-40-20	DPC-40-20	1.0	40VCT @ 20mA	20V @ 40mA
PC-40-30	DPC-40-30	1.2	40VCT @ 30mA	20V @ 60mA
PC-40-110	DPC-40-110	4.4	40VCT @ 110mA	20V @ 220mA
PC-40-250	DPC-40-250	10.0	40VCT @ 250mA	20V @ 500mA
PC-40-600	DPC-40-600	24.0	40VCT @ 600mA	20V @ 1.20A
PC-56-15	DPC-56-15	1.0	56VCT @ 15mA	28V @ 30mA
PC-56-20	DPC-56-20	1.2	56VCT @ 20mA	28V @ 40mA
PC-56-80	DPC-56-80	4.4	56VCT @ 80mA	28V @ 160mA
PC-56-180	DPC-56-180	10.0	56VCT @ 180mA	28V @ 360mA
PC-56-420	DPC-56-420	24.0	56VCT @ 420mA	28V @ 840mA
PC-120-8	DPC-120-8	1.0	120VCT @ 8mA	60V @ 16mA
PC-120-10	DPC-120-10	1.2	120VCT @ 10mA	60V @ 20mA
PC-120-35	DPC-120-35	4.4	120VCT @ 35mA	60V @ 70mA
PC-120-85	DPC-120-85	10.0	120VCT @ 85mA	60V @ 170mA
PC-120-200	DPC-120-200	24.0	120VCT @ 200mA	60V @ 400mA



Custom versions available upon request.

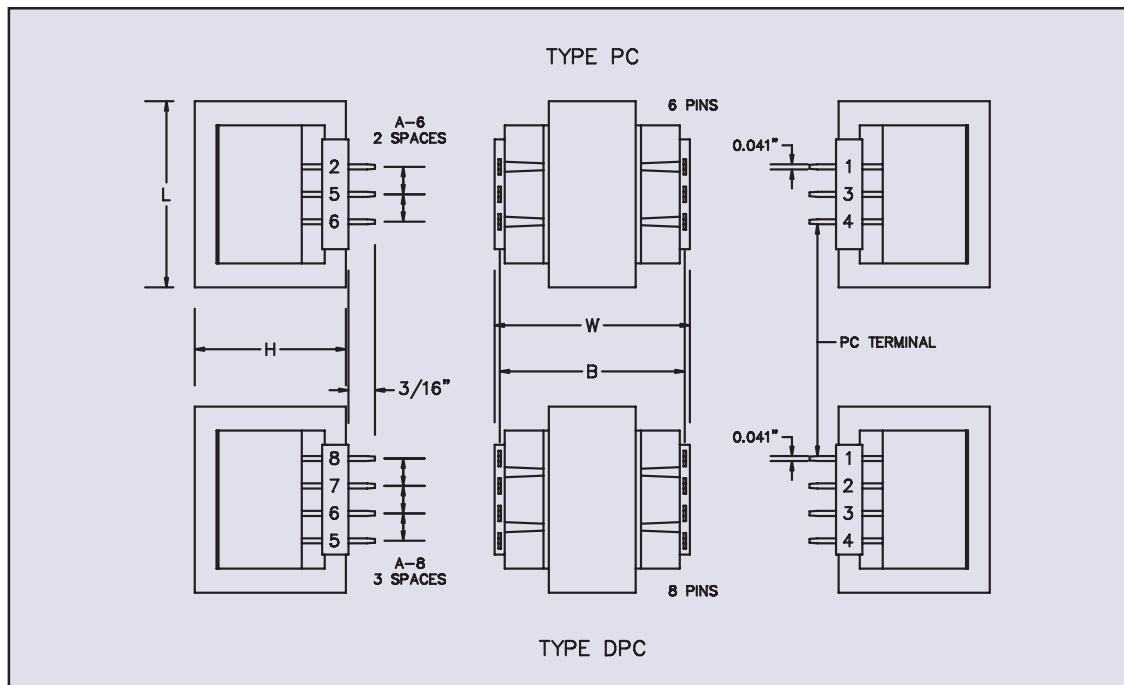
©2008 Signal Transformer — Specification subject to change without notice. 07.08



500 Bayview Avenue, Inwood, NY 11096
 Toll Free 866-239-5777 • Tel 516-239-5777 • Fax 516-239-7208
 sales@signaltransformer.com • techhelp@signaltransformer.com

Printed Circuit Mount Power Transformers

Miniature Low Power Transformers



VA	L	W	H	A-6	A-8	B	Weight	Optional Bracket*		
				6 Pin	8 Pin			Number	MW	MD
Size	Inches (mm)						oz (kg)	Inches (mm)		
1.0	1.00 (25.4)	1.37 (34.92)	0.83 (21.08)	0.25 (6.35)	0.20 (5.08)	1.23 (31.2)	2.5 (0.07)	-	-	-
1.2	1.37 (34.9)	1.12 (28.6)	1.18 (30.15)	0.31 (7.92)	0.20 (5.08)	1.03 (26.2)	3 (0.08)	-	-	-
4.4	1.62 (41.3)	1.25 (31.8)	1.37 (34.92)	0.40 (10.16)	0.25 (6.35)	1.13 (28.7)	5 (0.14)	-	-	-
10.0	1.87 (47.6)	1.43 (36.5)	1.62 (41.27)	0.40 (10.16)	0.25 (6.35)	1.33 (33.7)	9 (0.23)	10-BR	1.64 (41.7)	1.12 (28.6)
24.0	1.62 (41.3)	2.25 (57.2)	1.37 (34.93)	0.40 (10.16)	0.25 (6.35)	2.13 (54.1)	12 (0.34)	24-BR	1.37 (34.9)	2.00 (50.8)

*An optional slide on mounting bracket is available for sizes 10 & 24. These brackets do not consume any additional board space but add 1/32" to the transformer's height.

See Accessories page for mounting brackets.

Custom versions available upon request.

©2008 Signal Transformer — Specification subject to change without notice. 07.08



500 Bayview Avenue, Inwood, NY 11096
 Toll Free 866-239-5777 • Tel 516-239-5777 • Fax 516-239-7208
 sales@signaltransformer.com • techhelp@signaltransformer.com